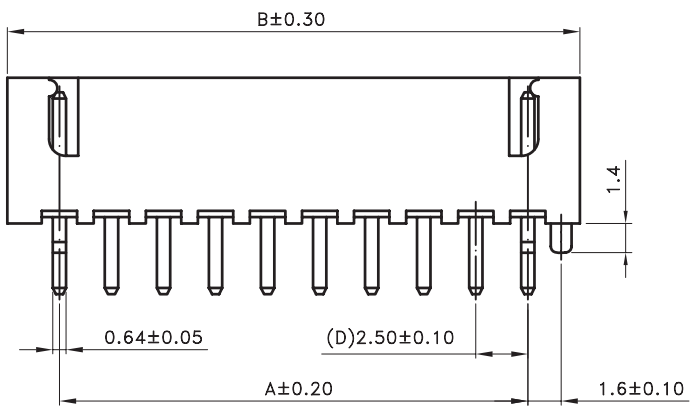
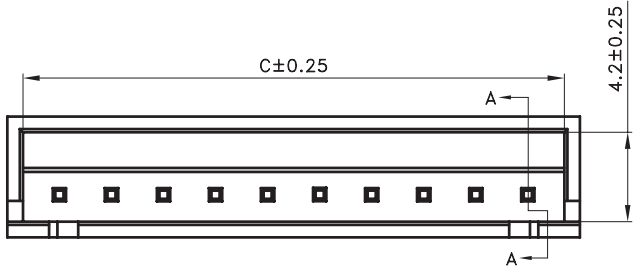
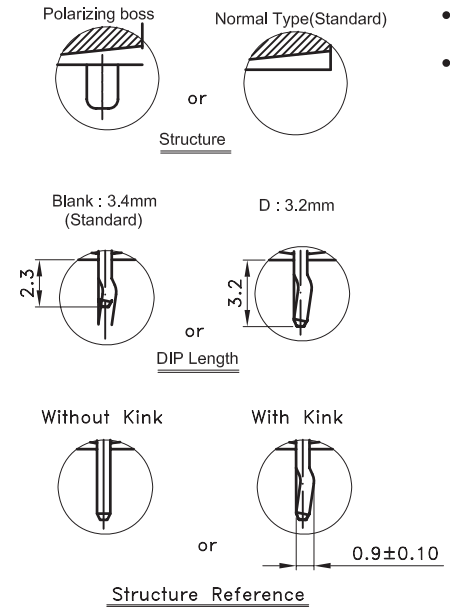
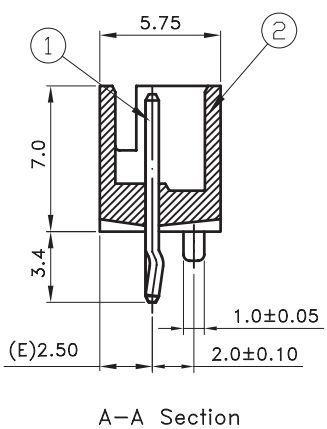
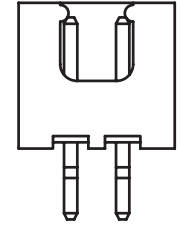
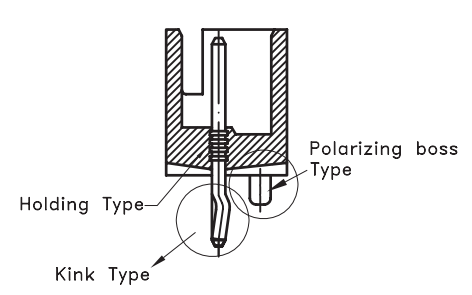


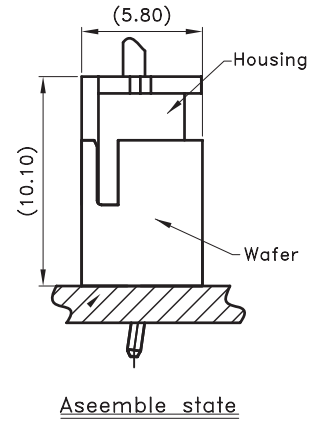
Recommended PCB Layout(Top View)



Poles	Dimension(mm)			Poles	Dimension(mm)		
	A	B	C		A	B	C
2	2.50	7.50	6.00	12	27.50	32.50	31.00
3	5.00	10.00	8.50	13	30.00	35.00	33.50
4	7.50	12.50	11.00	14	32.50	37.50	36.00
5	10.00	15.00	13.50	15	35.00	40.00	38.50
6	12.50	17.50	16.00	16	37.50	42.50	41.00
7	15.00	20.00	18.50	17	40.00	45.00	43.50
8	17.50	22.50	21.00	18	42.50	47.50	46.00
9	20.00	25.00	23.50	19	45.00	50.00	48.50
10	22.50	27.50	26.00	20	47.50	52.50	51.00
11	25.00	30.00	28.50				



- SPECIFICATIONS
- Rated Voltage : 250 V AC/DC
  - Current Rating : 3A AC/DC.
  - Withstanding Voltage : 1,000V AC/minute
  - Insulation Resistance : 1,000MΩ min.
  - Temperature Range : - 25°C to + 85°C
  - Contact resistance : 20mΩ max.
- WAFER
- Part No. : JS-1001-XX X X (XX X X) XX
  - ① Poles No : 2~20
  - ② Structure1 : Blank : Normal Type(Standard)  
P : Polarizing boss
  - ③ Structure2 : Blank : Normal Type(Standard)  
S : Holding Type
  - ④ Plated Blank : Bright-Tin Plated  
NM : Matte-Tin Plated  
G : Gold Plated
  - ⑤ Kink Type: Blank : Without Kink(standard)  
K : With Kink
  - ⑥ Dip Length: Blank : 3.4mm (standard)  
D : 3.2mm
  - ⑦ Color : Blank : Nature  
R : Red  
R1 : Red(198C#)  
BK : BLACK  
BU : BLUE
- Material : 1. Contact : Brass  
2. Base : Refer the above options
  - Package: Bag



Assemble state

僅供參考  
Reference only

喬訊電子工業股份有限公司  
CHYAO SHIUNN  
ELECTRONIC INDUSTRIAL LTD.

PART NO JS-1001-XX  
2.50mm Disconnectable crimp style Wafer(Straight)

APPROVED BY	SCALE	UNIT	TOLERANCE	LTR	REVISION RECORD	NAME	DATE	LTR	REVISION RECORD	NAME	DATE
張育瑞		mm	.0 ±0.30	▲				▲	新增產品規格	周美麗	2012/12/26
CHECKED BY	PROJ	VER NO.	.00 ±0.20	▲				▲			
周家慶	⊕ □	a8	.000 ±0.10	▲				▲			
周美麗	2012/12/26	A4	ANGLE	▲				▲			
			0° ±1°	▲				▲			
			.0° ±	▲				▲			
			SHEET 1/1	▲	JS-1001全系列合併圖面	劉怡達	2011/01/31				

CUSTOMER  
Conforms to The RoHS Instruction