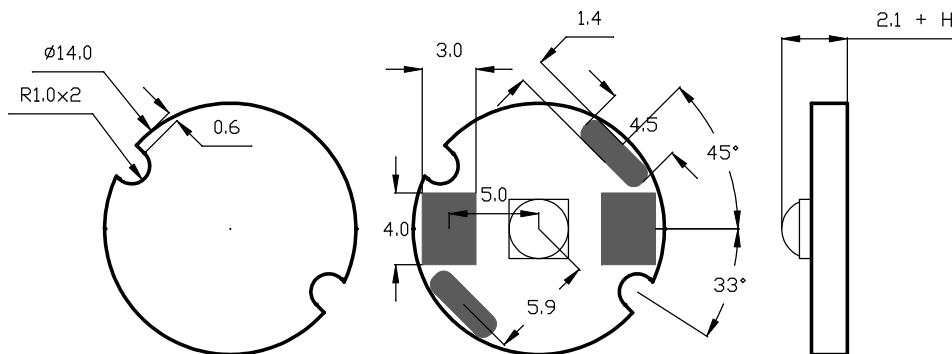


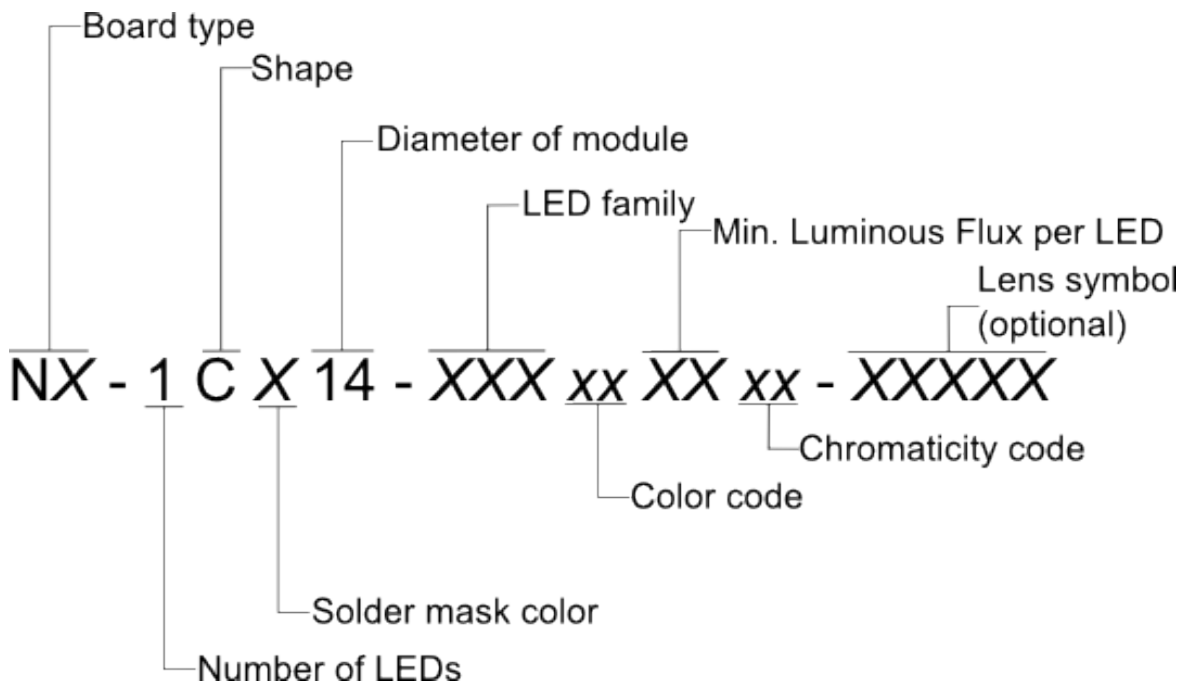
SHORT DESCRIPTION

- Round MCPCB board with 14 mm diameter
- One LED
- Designed for Cree Xlamp High-Power LEDs XP-C, XP-E, XP-E High-Efficiency, XP-G
- Compatible Lenses: Ledlink LL01CR-DFXXL, LL01CR-NEXXL and LL01CR-HQXXL families.





PRODUCT NOMENCLATURE



Board Type¹

NX - 1CX14- XXXxxXXxx- XXXXX

| | H [mm] | Material | Dielectric thermal conductivity [W/(m·K)] | Dielectric thickness [μm] |
|-----------|--------|------------|---|---------------------------|
| NV | 2 | 1060 Alloy | 1.5 | 80 |
| NS | 1.6 | | | |
| NT | 2 | 5052 Alloy | 2 | 60 |
| NC | 1.6 | | | |
| NM | 2 | Cu | 3 | 60 |
| NB | 2 | 5052 | depends on design ² 10 ÷ 50 | 60 |



Shape

NX- 1C X14- XXXxxXXxx- XXXXX

| Shape name | |
|------------|-------------|
| R | Rectangular |
| C | Round |
| S | Star |
| P | Polygonal |

Soldermask Color³

NX- 1CX 14- XXXxxXXxx- XXXXX

| Color name | |
|------------|--------|
| B | Black |
| O | Orange |
| W | White |

LED Family

NX- 1CX14- XXX xxXXxx- XXXXX

| | Description | Suggested Board Type |
|------------|--------------------------------------|----------------------|
| XPC | Cree Xlamp XP-C Type | NV, NS, NT, NC, NM |
| XPE | Cree Xlamp XP-E Type | NV, NS, NT, NC, NM |
| XHE | Cree Xlamp High-Efficiency XP-E Type | NV, NS, NT, NC, NM |
| XPG | Cree Xlamp XP-G Type | NT, NC, NM |



Color

NX- 1CX14- XXXxx XXxx- XXXXX

| | | CTT Range [K] | | |
|-----------|---------------|---------------|-------|---|
| | Color name | CTT Range [K] | | Led families |
| | | min | max | |
| WC | Cool White | 5000 | 10000 | XPC, XPE, XHE ⁴ , XPG ⁵ |
| WO | Outdoor White | 4000 | 5300 | XPE, XHE ⁶ , XPG |
| WN | Neutral White | 3700 | 5000 | XPC, XPE, XHE, XPG |
| 80 | 80-CRI White | 2600 | 4300 | XPE, XHE, XPG |
| WW | Warm White | 2600 | 3700 | XPC, XPE, XHE, XPG |
| 85 | 85-CRI White | 2600 | 3200 | XPE, XHE, XPG |
| 90 | 90-CRI White | 2600 | 3200 | XPE, XHE, XPG |

| | | Dominant Wavelength [nm] | | |
|-----------|------------|--------------------------|-----|--------------|
| | Color name | Dominant Wavelength [nm] | | Led families |
| | | min | max | |
| BR | Royal Blue | 450 | 465 | XPC, XPE |
| BL | Blue | 465 | 485 | XPC, XPE |
| GR | Green | 520 | 535 | XPC, XPE |
| AM | Amber | 585 | 595 | XPC, XPE |
| RO | Red-Orange | 610 | 620 | XPC, XPE |
| RE | Red | 620 | 630 | XPC, XPE |

Minimal Luminous Flux per LED

NX- 1CX14- XXXxxXX xx- XXXXX

Please refer to proper CREE Binning & Labeling documentation (located at <http://www.cree.com/products/xlamp.asp>) paragraph "Luminous or radiant flux group".

Chromaticity

NX- 1CX14- XXXxxXXxx - XXXXX

Please refer to proper CREE Binning & Labeling documentation (located at <http://www.cree.com/products/xlamp.asp>) paragraph "Chromaticity or dominant-wavelength group".



Lens Symbol (optional)⁷

NX- 1CX14- XXXxxXXxx- XXXXX

Following table contains some of example lenses for nGine.

| Family | Example | Mounting | Manufacturer |
|--------------|-------------------------------------|----------|--------------|
| Lisa | 10641 | Glue | |
| LL01CR-HQXXL | HQ30L, HQ40L, HQ60L | Glue | |
| LL01CR-NEXXL | NE25L, NE40L, NE60L, NE2545L | Glue | |
| LL01CR-DFXXL | DF25L, DF3065L, DF40L, DF60L, DF80L | Glue | |

Ordering Code Example

NT-1CB14-XPCWWP27D – 2 mm 5052 Alloy board with black soldermask, 1 XPC warm white LED, P27D bin,

NV-1CB14-XHEWW7B4Q2-DF80L – 2 mm 1060 Alloy board with black soldermask, 1 High-Efficiency XPE warm white LED, 7B4Q2 bin, LL01CR-DF80L Ledlink lens.

ENVIROMENTAL CAUTION



It is prohibited to dispose of obsolete and waste electrical and electronic equipment together with regular household wastes. They should be properly sorted and recycled. old electrical and electronic equipment should be returned to a waste collection point established by a waste-management service. Waste electrical and electronic equipment can be broken down to base materials and then recycled. For more information regarding waste management please contact your local authorities waste-management service or the seller of electrical and electronic devices.

NOTES

- ¹Another thickness available on request.
- ²Blind holes technology.
- ³Another soldermask color available on request.
- ⁴Max. CCT Range 8300 K.
- ⁵Max. CCT Range 8300 K.
- ⁶Min. CCT Range 2600 K.
- ⁷More lenses available on request.