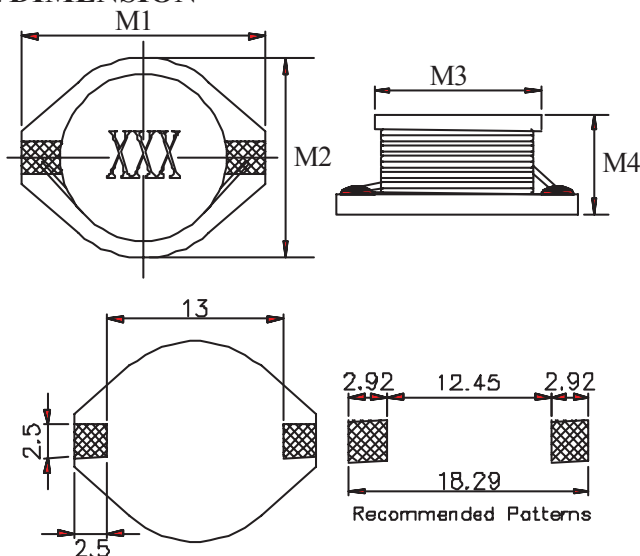


SPECIFICATION FOR APPROVAL

CUSTOMER MARITEX	CUSTOMER P/N CSN136F-XXXX-LFR	REV. —	PL. LOT NO. 0108214	
PART NAME POWER CHOKE (ROHS)	FRONTIER P/N CSN136F-XXXX-LFR	REV. —	DATE OF ISSUE 08/14/'08	Q'TY 0 PCS

1. MECHANICAL DIMENSION



UNIT: mm

	DIM.	TOL.
M1	18.54	MAX.
M2	15.24	MAX.
M3	12.7	
M4	7.62	MAX.

2. ELECTRICAL

	L (uH) @ 100 KHz ±0 %	DCR OHM MAX.	Isat (A)	Rated Current (A)	WIRE (mm)	TRUNS Ts (REF.)
CSN136F-1R0M-LFR	1.0uH ±0%	0.009	20.0	8.6	0.60	3.5
CSN136F-2R2M-LFR	2.2 uH ±0%	0.014	16.0	7.1	0.60	5.5
CSN136F-3R3M-LFR	3.3uH ±0%	0.018	14.0	6.2	0.60	6.5
CSN136F-5R6M-LFR	5.6uH ±0%	0.020	12.0	5.3	0.70	9.5
CSN136F-100M-LFR	10uH ±0%	0.031	10.0	4.3	0.60	12.5
CSN136F-150M-LFR	15uH ±0%	0.036	8.0	4.0	0.60	15.5
CSN136F-220M-LFR	22uH ±0%	0.047	7.0	3.5	0.55	19.5
CSN136F-330M-LFR	33uH ±0%	0.066	5.5	3.0	0.50	23.5
CSN136F-470M-LFR	47uH ±0%	0.086	4.5	2.6	0.50	28.5
CSN136F-680M-LFR	68uH ±0%	0.130	3.5	2.3	0.45	34.5
CSN136F-101M-LFR	100uH ±0%	0.190	3.0	1.8	0.40	41.5
CSN136F-151M-LFR	150uH ±0%	0.250	2.6	1.5	0.37	48.5
CSN136F-221M-LFR	220uH ±0%	0.380	2.4	1.2	0.35	60.5
CSN136F-331M-LFR	330uH ±0%	0.560	1.9	1.0	0.32	73.5
CSN136F-471M-LFR	470uH ±0%	0.850	1.4	0.82	0.28	87.5
CSN136F-681M-LFR	680uH ±0%	1.100	1.2	0.72	0.27	105.5
CSN136F-102M-LFR	1000uH ±0%	1.800	1.0	0.56	0.24	131.5

TEST INSTRUMENT: HP4284A 、 ZENTECH502BC

* Inductance drops no more than 10 % of initial value at Isat ,temperature rises $\Delta t < 40$ °C at rated current.