

1 2 3 4 5 6 7 8

REV	ECN.NO.	REVISIONS	REV.DRAWN	DATE
C			YU	06-03/09
D		更改孔位尺寸	YU	07-02/06
E		增加无卤料号说明	Yuqilong	2008/11/03
F		<b>1.45改成1.37</b>	hejihuai	2009/02/24

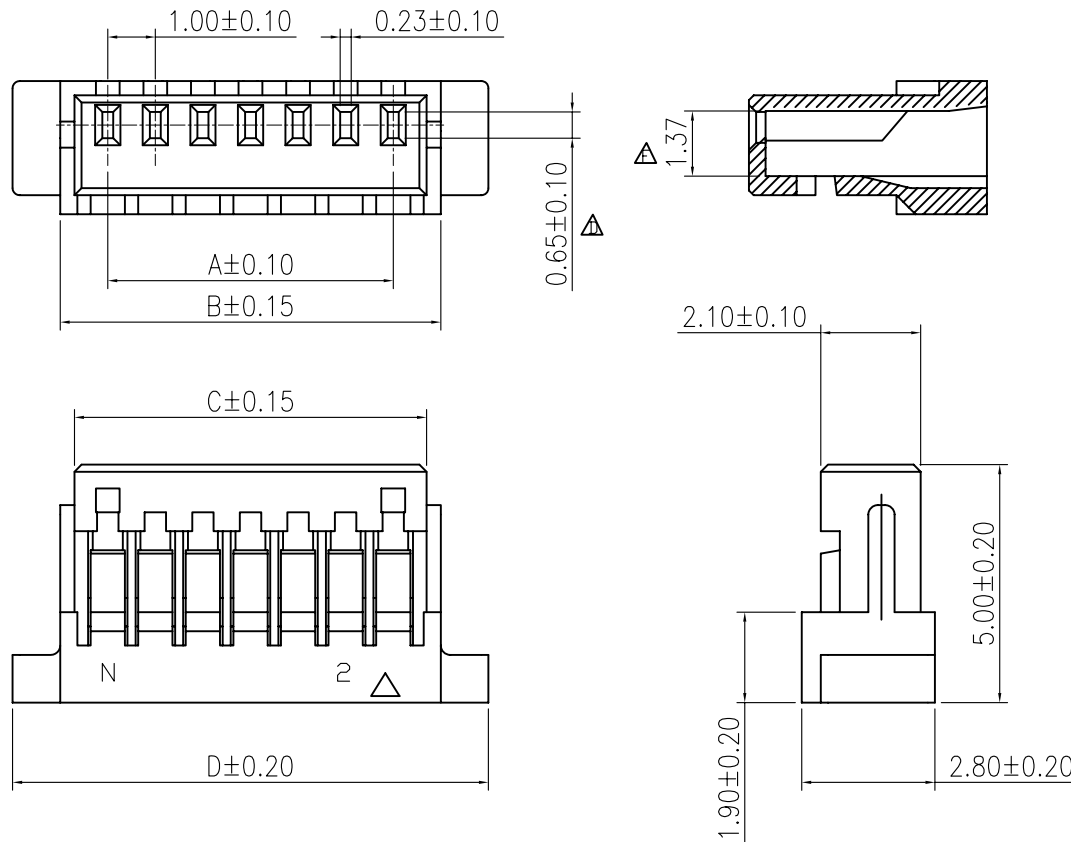
A

B

C

D

E



SPECIFICATIONS

- . Rated Voltage : 50V AC/DC
- . Rated Current : 1A AC/DC
- . Withstanding Voltage : 500V AC/minute
- . Insulation Resistance : 100MΩ min
- . Temperature Range : -25°C to +85°C
- . Contact Resistance : 20mΩ max

HOUSING

- . Part No Legend : JS-1253-XX-XXXX-XX
- . Poles: 2~20
- . Blank&DO: PA66
- . (Color) Blank: Nature
- . Bk: Black
- . NH: Halogen Free
- . Blank: Normal
- . Material: PA66 UL 94V-0
- . Q'ty : 1,000 pcs/Bag

POLES	PART NO.	DIMENSIONS			
		A	B	C	D
2	JS-1253-02	1.00	3.00	2.40	5.00
3	JS-1253-03	2.00	4.00	3.40	6.00
4	JS-1253-04	3.00	5.00	4.40	7.00
5	JS-1253-05	4.00	6.00	5.40	8.00
6	JS-1253-06	5.00	7.00	6.40	9.00
7	JS-1253-07	6.00	8.00	7.40	10.00
8	JS-1253-08	7.00	9.00	8.40	11.00
9	JS-1253-09	8.00	10.00	9.40	12.00
10	JS-1253-10	9.00	11.00	10.40	13.00
11	JS-1253-11	10.00	12.00	11.40	14.00
12	JS-1253-12	11.00	13.00	12.40	15.00
13	JS-1253-13	12.00	14.00	13.40	16.00
14	JS-1253-14	13.00	15.00	14.40	17.00
15	JS-1253-15	14.00	16.00	15.40	18.00
16	JS-1253-16	15.00	17.00	16.40	19.00
17	JS-1253-17	16.00	18.00	17.40	20.00
18	JS-1253-18	17.00	19.00	18.40	21.00
19	JS-1253-19	18.00	20.00	19.40	22.00
20	JS-1253-20	19.00	21.00	20.40	23.00

X.± 0.50	X°.± 3.0°	UNITS mm	NAME(INTENDED USE) CUSTOMER	CHYAO SHUINN ELECTRONIC (SHANGHAI) CO.,LTD.	
.X± 0.30	.X°.± 2.0°				MAT'L
.XX± 0.20	.XX°.± 1.0°	FINISH	APPD:	DWG NO.:	
.XXX± 0.10	.XXX°.± 0.5°		Q'TY	CHKD: XUWEI 2009/02/24	020-0042-1253-XX
THESE DRAWINGS AND SPECIFICATIONS ARE THE PROPERTY OF CHYAO SHUINN ELECTRONIC CO., LTD. AND SHALL NOT BE REPRODUCED, COPIED OR USED IN ANY MANNER WITHOUT THE PRIOR WRITTEN CONSENT OF CHYAO SHUINN ELECTRONIC CO., LTD.		DR: Yuqilong 2008/11/03		SCALE	SHEET
			2:1	1/1	F



符合环境管理物质

1 2 3 4 5 6 7 8