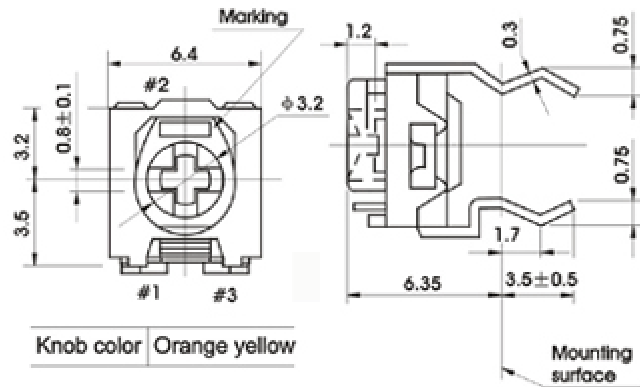
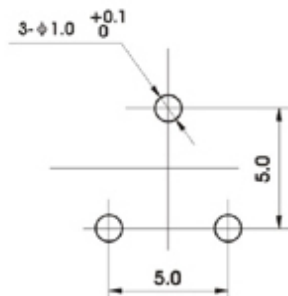
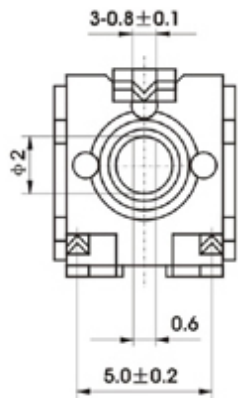
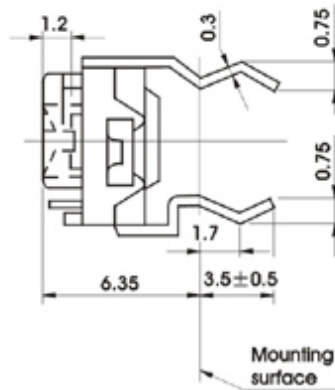
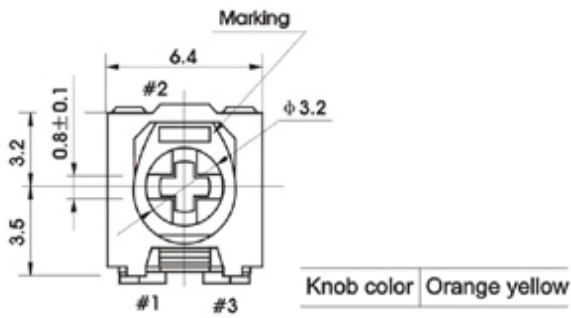


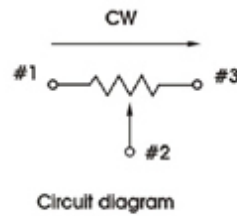
PRM065



Common Dimension



Recommended PWB piercing plan
(Pitch tolerance: ±0.1)
View from mounting side



Electrical Specifications

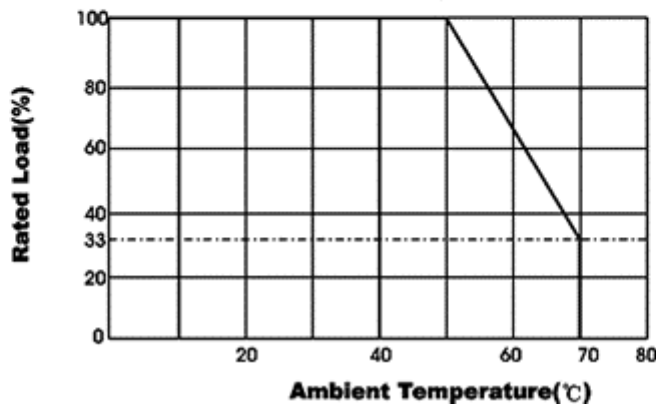
Standard Nominal Total Resistance(Ω)

Type	500	1k	2k	5k	10k	20k	50k	100k	500k	1M	Available Range	Tolerance (%)
6 mm Square Dustproof	<input type="radio"/>	<input type="radio"/>	<input type="radio"/>	<input type="radio"/>	<input type="radio"/>	<input type="radio"/>	<input type="radio"/>	<input type="radio"/>	<input type="radio"/>	<input type="radio"/>	100 Ω to 1 MΩ	± 30

Power Rating

Type	Power Rating (W)	Max.Operating voltage (v)	Ambient Temperature (°C)
6 mm Square Dustproof	0.1	R ≤ 500kΩ : 50, R > 500kΩ : 25	50 max

Power Derating Curve



Voltage Rating

$$E = \sqrt{PR}$$

E=Voltage rating(V)

P=Power rating (W)

R=Nominal total resistance(Ω)

The voltage rating should be maximum operating voltage when E shall exceed maximum operating voltage shown in the table