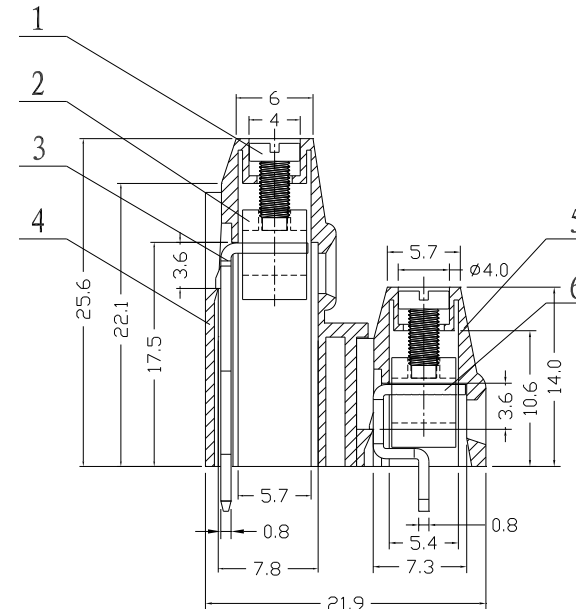
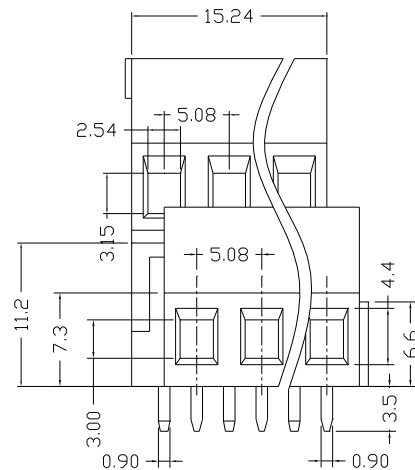


序号/RevNo.	名称/Title	文件编号/File No.
1	XY103螺丝	
2	XY128铜方块	
3	EEK508端子	
4	EEK508塑件	
5	EK508塑件	
6	XY128V-A端子	



400V 16A 2.5mm²

Poles: 4P&6P

Pitch: 5.08mm

Pin Dimension: 0.8X0.9mm

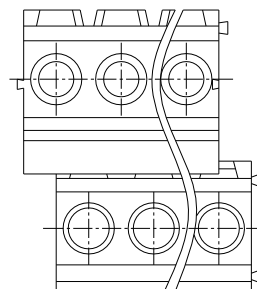
Materials

Housing: Polyamide 6.6, Green

Solder Pin: Brass, 0.8t, Tin Plated.

Wire Cage: Brass, 0.7t, Zinc Nickel

Screw: M2.5, Steel, Zinc Plated.



设计/Designed by	绘图/Drawing by	审核/Checked by	批准/Approved by	未注公差 General Tolerance	
		图名/Title	文件编号/File No.	x. ±0.2	x." ±2°
		EK508&EEK508 产品图	页序/Sheet	.x ±0.1	.x" ±1°
备注/Remark				.xx ±0.05	.xx" ±0.5°
				.xxx ±0.01	
				单位/Units: mm	

序号/RevNo.	更改记录/Revision note	签名/Signature	日期/Date