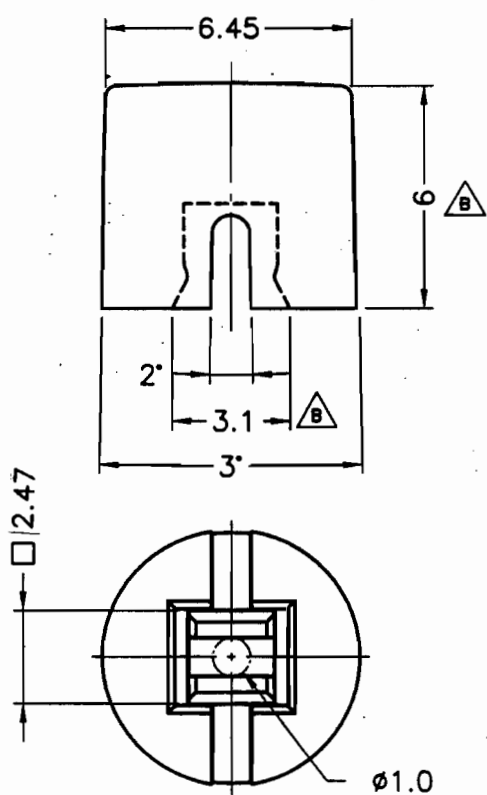


REVISIONS			
REV	DESCRIPTION	DATE	BY
B	5.56 CHANGE TO 6.2.92 CHANGE TO 3.1	04.18.03	S.J.C.



QMFZ2
Component - Plastics

February 13, 1996

E I DUPONT DE NEMOURS & CO INC.
DUPONT POLYMERS, ENGINEERING POLYMERS
NYLON RESINS PO BOX 80713, CHESTNUT RUN
PLAZA, WILMINGTON DE 19880

E41938 (M)
(A card)

Mtl Deg	Col	Min Thk mm	UL94 Flame Class	Elec	RTI Mech with imp	w/o imp	H W	H A	H V	D 4	C T
Polyamide, Type 66 nylon (PA66), designated "Zytel", furnished in the form of pellets.											
132F+	All	0.71	94V-2	125	65	65	4	0	—	—	—
133L+, 135F+		1.5	94V-2	125	75	85	3	0	0	—	—
		3.0	94V-2	125	75	85	2	0	0	6	0
		6.0	94V-2	125	75	85	2	0	0	—	—
→ 101(F2)+, 101F+	All	0.71	94V-2	125	65	65	4	0	—	—	—
101L+, E101L+		1.5	94V-2	125	75	85	3	0	0	—	—
E101(F1)+		3.0	94V-2	125	75	85	2	0	0	6	0
		6.0	94V-2	125	75	85	2	0	0	—	—

Reports: August 30, 1968; December 2, 1992.

Replaces E41938A dated July 24, 1995.

324299147

H7047

Underwriters Laboratories Inc.®

(Cont. on A001 card)

DJ/0005183

<p>康揚企業股份有限公司 KANG YANG HARDWARE ENTERPRISE CO., LTD. 東莞康揚塑膠五金電子廠 DONG GUAN KANG YANG PLASTIC HARDWARE COMPANY 康哲電腦配件(吳江)有限公司 KANG CHE COMPUTER COMPONENTS(WUJIANG) CO., LTD.</p>	TITLE		開關蓋		產品規格圖面		
	MATERIAL		NYLON 66 UL94V-2		DATE		2003.04.18
	FINISH				DRAWN		S.J.C.
	COLOR		BLACK		CHECK		許玉芬
PART NUMBER	DRAWING NUMBER		UNLESS OTHERWISE SPECIFIED TOLERANCE		APPROVED		Kang
TSC-8	TSC-8		±0.2				
SIZE	SCALE	UNIT	REV				
A4	5:1	mm	B				