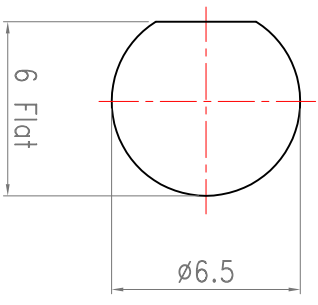
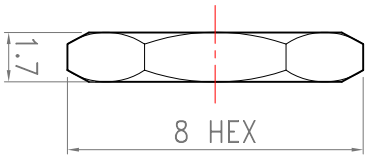
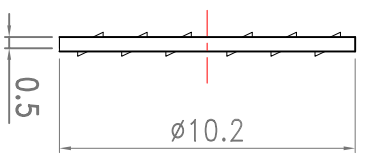
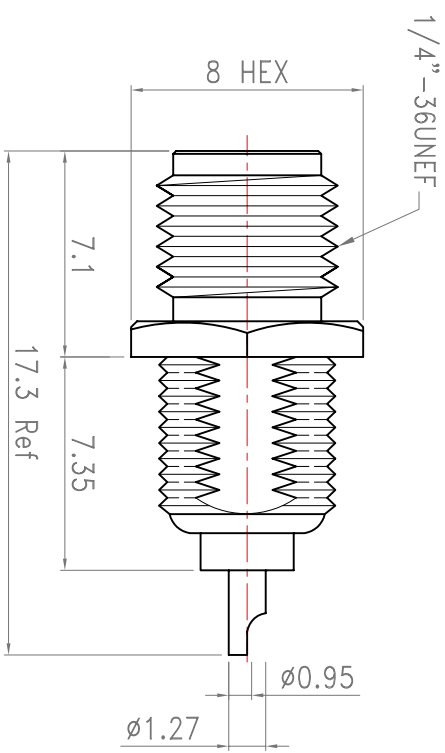


Revisions			
ISS	Symbol	Description	Date
B		CHE for New Drawing Frame & New PN System	2006/07/10



Recommended Mounting Hole

ROHS COMPLIANCE

5	Hex Nut	Brass	Gold	
4	Washer	Brass	Gold	
3	Pin	BeCu	30u" Gold	
2	Insulator	PTFE	None	
1	Body	Brass	Gold	
ITEM	Description	Material	Finish	Part Number

Scale	Abbr.	Date	Rev.
NTS	ST	2006.07.20	B

Drawn	Checked	Approved
<i>g. g</i>	<i>Mindy</i>	<i>g. Sun</i>

**Proprietary Note**  
 This document contains information proprietary to S-Comm, which is either copyrighted, or patent applied for, and / or protected by trade secret laws.  
 This document or parts thereof, may not be used, disclosed or reproduced in any form by any method, or for any purpose, without the written permission of S-Comm, Taiwan.  
 Customer P/N: Nil

DWG.NO. S22310G29-1  
 TITLE: SMA Bulkhead Receptacle-Front Mount

S-Comm Enterprise Co., Ltd