

MARITEX SW-PB28B

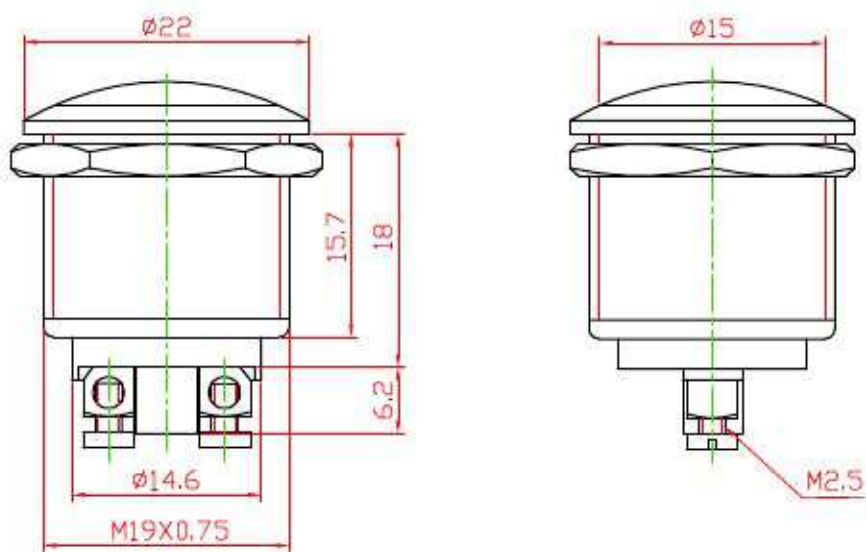
Push-Button Switch

TYPE: SW-PB28B

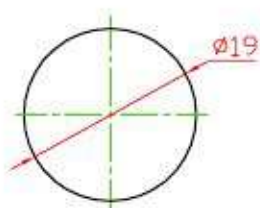
Specification

1. Operating temperature: -20C - +55C
2. Rating: 2A / 48V DC
3. Isulation resistance: 1000 MOhm min at 500V DC
4. Contact resistance: 50 mOhm max at 1A, 2V
5. Electrical life at full load: 100 000 cycles
6. Mechanical life: 1 000 000 cycles
7. Operating force: 7 +- 2N

Outline Drawing



Mounting



Circuitry

