

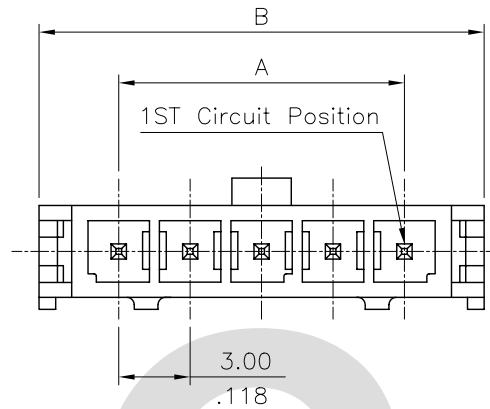
# Ordering Code:

CP35 \*\* P \* V 0 0 - S - LF  
 ① ② ③ ④ ⑤ ⑥ ⑦ ⑧ ⑨

Material:

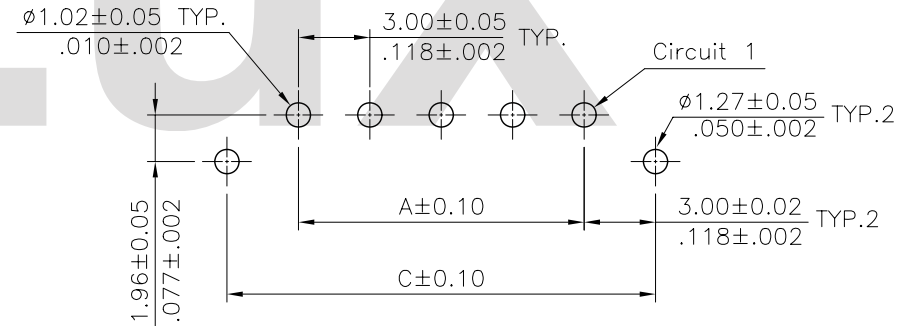
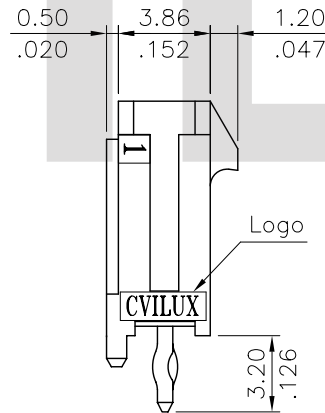
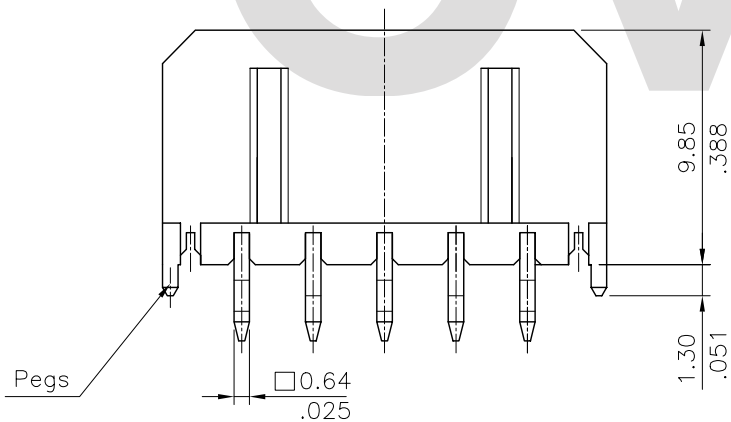
\* Insulation: Nylon 6T 94V-0, Color Black

\* Contact: Brass



- ① Series No.
- ② No. of Circuits: 02~12
- ③ Contact type: P = Plug
- ④ Contact plated:
  - 1= Matte Tin over Nickel
  - 2= Gold flash plated over 50μ" Nickel
  - 3= 15μ" Gold plated over 50μ" Nickel
  - 4= 30μ" Gold plated over 50μ" Nickel
- ⑤ V= Straight
- ⑥ Mount type : 0= DIP Type
- ⑦ Other options: 0= With pegs(Standard)
- ⑧ S= Single Row Header
- ⑨ LF= Lead Free soldering process

CIRCUITS	DIM.A	DIM.B	DIM.C
2	3.00(.118)	9.65(.380)	9.0(.354)
3	6.00(.236)	12.65(.498)	12.0(.472)
4	9.00(.354)	15.65(.616)	15.00(.591)
5	12.00(.472)	18.65(.734)	18.00(.709)
6	15.00(.591)	21.65(.852)	21.00(.827)
7	18.00(.709)	24.65(.970)	24.00(.945)
8	21.00(.827)	27.65(1.089)	27.00(1.063)
9	24.00(.945)	30.65(1.207)	30.00(1.181)
10	27.00(1.063)	33.65(1.325)	33.00(1.299)
11	30.00(1.181)	36.65(1.443)	36.0(1.417)
12	33.00(1.299)	39.65(1.561)	39.0(1.535)



△ Recommended P.C. Board layout

Lead Free Process

RoHS Compliant

SYM	NAME	DATE	REVISIONS	APPROVED BY:	DATE	UNIT: mm / inch	TITLE: 3.00mm PITCH STRAIGHT HEADER POWER CONNECTOR	MATERIAL:	FINISH:	DRAWING NO.	CP3565SB	PART NO.	CP35**P*V00-S-LF
4													
3													
2	Karen	7/16-09'	ECN09363	ENGINEER:	Eisley	7/20-09'							
1	Eager	10/04-07'	ECN07414	CHECKED BY:	David	7/20-09'							
				APPROVED BY:	Alex	7/20-09'							

CVILUX CORP  
 2009.07.21  
 ISSUED



瀚荃股份有限公司  
 CviLux Corporation

SCALE	3 / 1	SHEET	1 OF 1
-------	-------	-------	--------