

**SPECIFICATIONS**

- Current Rating : 2A AC/DC
- Withstanding Voltage : 800V AC/minute
- Insulation Resistance : 1,000MΩ min
- Temperature Range : - 25°C to + 85°C
- Contact Resistance : 20mΩ max

**TERMINAL**

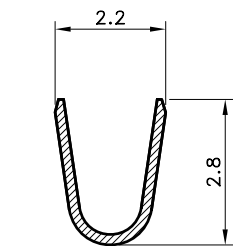
Part No. : JS-1124-T X X (XX)  
 ① ② ③

① Material : Blank : Phos. Bronze  
 B : Brass

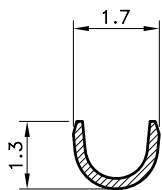
② Process:  
 Blank : Normal  
 P : Stamping Befor Plated

③ Plated :  
 Blank: Tin Plated (Standard Type)  
 G : Gold Flash  
 G1 : Au > 5u"  
 G5 : Au > 30u"

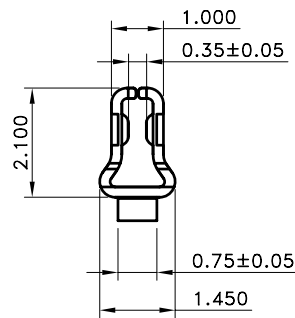
- Applicable Wires : AWG # 22 - 28
- Material : Refer the above options
- Plated : Refer the above options
- Thickness : 0.2mm
- Q' ty : 10,000 pcs/Reel



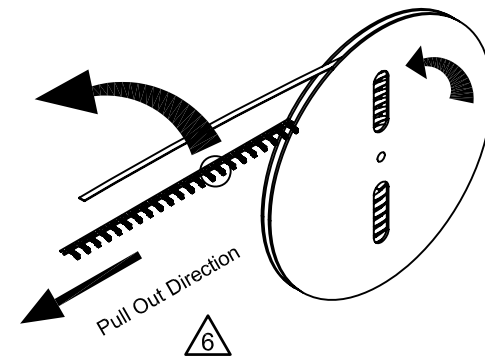
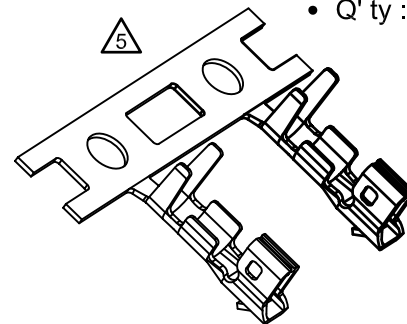
Section A-A



Section B-B



Section C-C



喬訊電子工業股份有限公司  
**CHYAO SHIUNN**  
 ELECTRONIC INDUSTRIAL LTD.

PART NO JS-1124-TXX(XX)

2.00mm Series Wire to Board Terminal

APPROVED BY	SCALE	UNIT	TOLERANCE	LTR	REVISION RECORD	NAME	DATE	LTR	REVISION RECORD	NAME	DATE
張育瑞		mm	.0 ±0.30	△	200502-004	邱森鴻	2005/02/05	△	刪除倒角尺寸, 增加鍍層選項	張逸維	2012/12/14
CHECKED BY	PROJ	VER NO.	.00 ±0.20	△	DG 200503-005	余秀麗	2005/03/16	△	增加黃銅材質選項	張逸維	2013/02/21
黃科源		a9	.000 ±0.10	△	DG 200609-008	xxx	2006/09/22	△			
DRAWN BY	DATE	SIZE	ANGLE	△	200812-013	黃科源	2008/12/13				
張逸維	2013/02/21	A4	0° ±1°	△	重開模具	金飛	2010/06/14				
			.0° ±	△	增加產品出料方向	王誠賢	2011/05/11				
			SHEET 1/1	△	增加產品管控尺寸	胡丹桂	2011/11/14				

CUSTOMER  
 Conforms to The RoHS Instruction