



APPROVAL INDEX

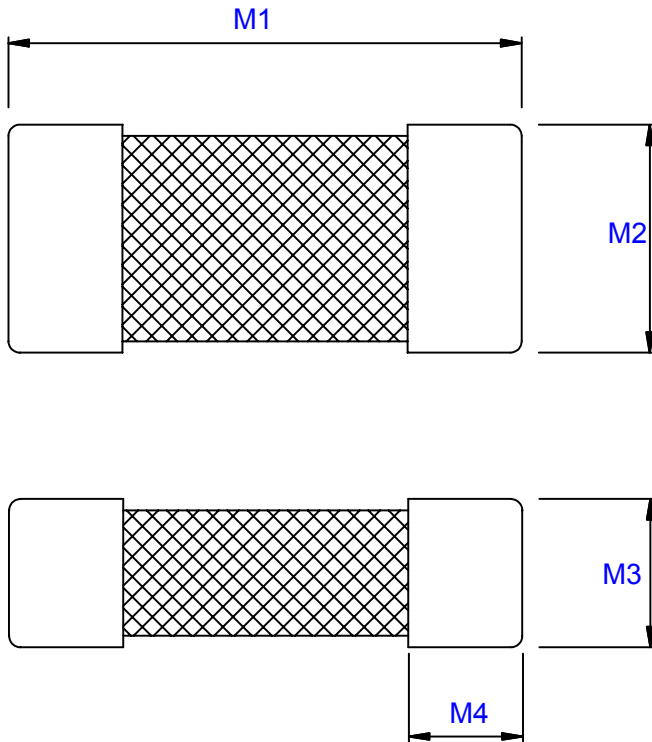
■ Mechanical Dimension	Page 2
■ Electrical Spec.	Page 2
■ Electrical Curve	Page 3
■ Package form	Page 4
■ Reflow Chart	Page 5
■ Test Report	Page
■ Appendix	SGS



SPECIFICATION FOR APPROVAL

CUSTOMER MARITEX	CUSTOMER P/N TI201209 SERIES-LFR	REV. -	SPL. LOT NO. 1609114	
PART NAME SMD CHIP BEADS (ROHS)	FRONTIER P/N TI201209XXXX-LFR	REV. -	DATE OF ISSUE 07/01/'09	Q'TY 0 PC

1. MECHANICAL DIMENSION



UNIT : mm

	DIM.	TOL.
M1	2.0	±0.2
M2	1.2	±0.2
M3	0.9	±0.2
M4	0.5	±0.3

2. ELECTRICAL

P/N	Z (OHM) @100 MHz ±25%	DCR (OHM) MAX.	RATED CURRENT MAX. (A)
TI201209U110-LFR	11	0.010	6.0
TI201209U170-LFR	17	0.025	3.0
TI201209U220-LFR	22	0.025	3.0
TI201209U300-LFR	30	0.025	3.0
TI201209U121-LFR	120	0.060	3.0
TI201209U301-LFR	300	0.100	2.0
TI201209U601-LFR	600	0.150	2.0
TI201209B070-LFR	7	0.030	3.0

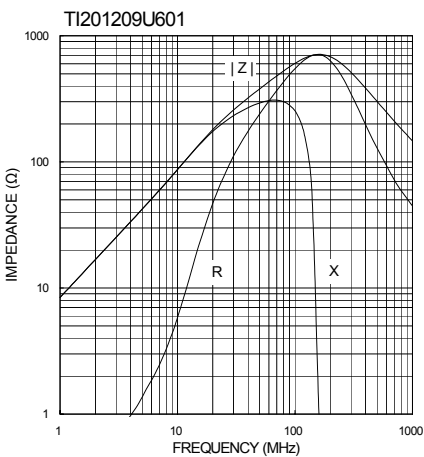
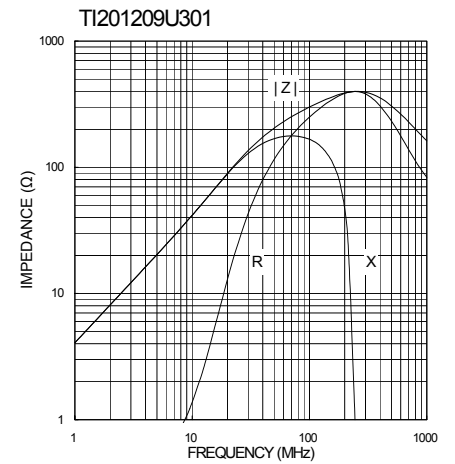
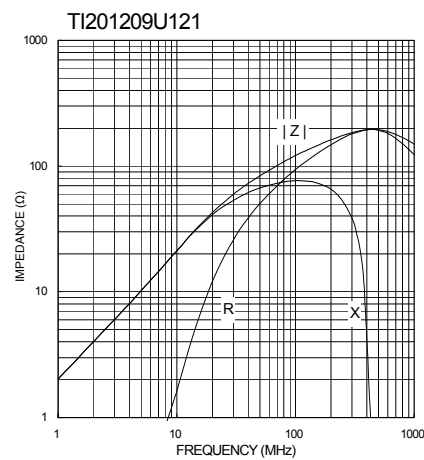
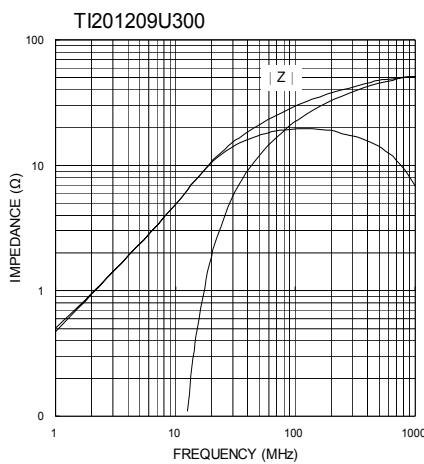
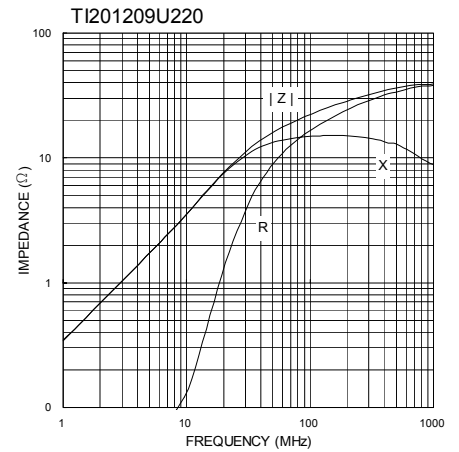
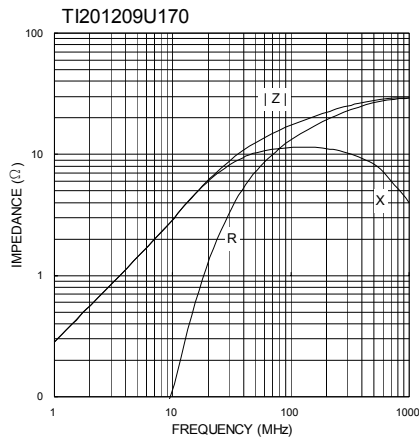
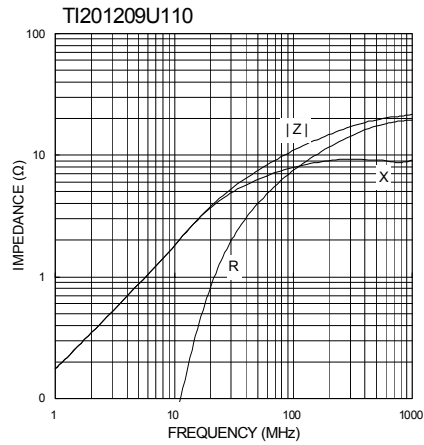
TEST INSTRUMENT: HP4291B & ZENTECH502BC



SPECIFICATION FOR APPROVAL

CUSTOMER MARITEX	CUSTOMER P/N TI201209 SERIES-LFR	REV. -	SPL. LOT NO. 1609114	
PART NAME SMD CHIP BEADS (ROHS)	FRONTIER P/N TI201209XXXX-LFR	REV. -	DATE OF ISSUE 07/01/'09	Q'TY 0 PC

4. ELECTRICAL CURVE



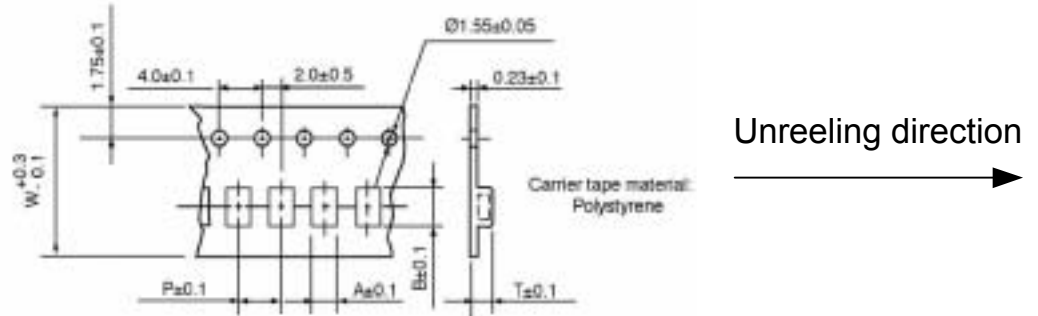


SPECIFICATION FOR APPROVAL

CUSTOMER MARITEX	CUSTOMER P/N TI201209 SERIES-LFR	REV. -	SPL. LOT NO. 1609114	
PART NAME SMD CHIP BEADS (ROHS)	FRONTIER P/N TI201209XXXX-LFR	REV. -	DATE OF ISSUE 07/01/'09	Q'TY 0 PC

5. PAPER CARRIER TAPE PACKAGING

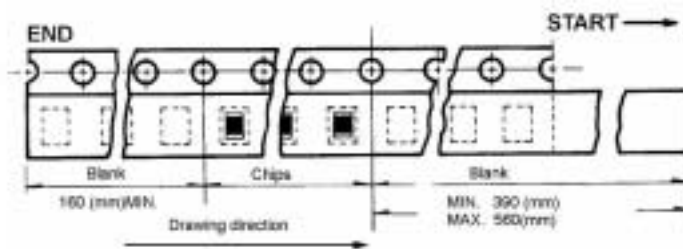
5.1 DIMENSIONS



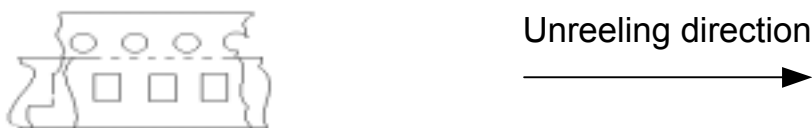
UNIT : mm

	A	B	W	P	T	CHIPS/REEL
DIM.	1.42	2.25	8	4	1.04	4000

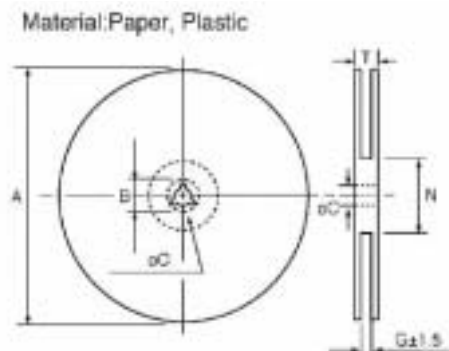
5.2 LEADER AND TRAILER TAPE



5.3 DIRECTION THE DIRECTION SHALL BE SEEN FROM THE TOP OF COVER TAPE



5.4 REELS



UNIT : mm

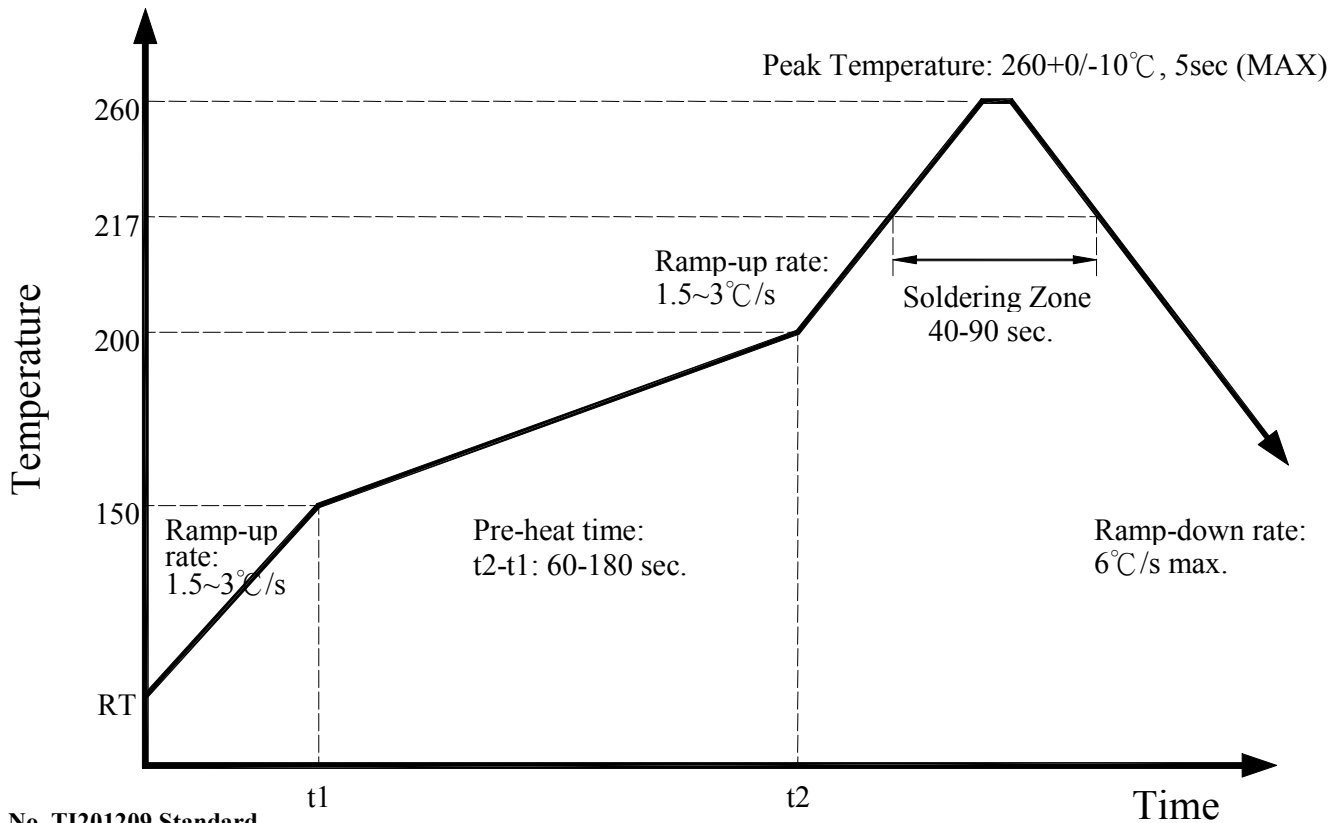
	8mm	12mm
A	178±2	178±2
B	21.0±0.8	21.0±0.8
C	13.0±0.8	13.0±0.8
G	10.0	14.0
N	75	75
T	12.5	16.5



SPECIFICATION FOR APPROVAL

CUSTOMER MARITEX	CUSTOMER P/N TI201209 SERIES-LFR	REV. -	SPL. LOT NO. 1609114	
PART NAME SMD CHIP BEADS (ROHS)	FRONTIER P/N TI201209XXXX-LFR	REV. -	DATE OF ISSUE 07/01/'09	Q'TY 0 PC

FRONTIER Lead-Free IR Reflow Chart



No. TI201209 Standard