

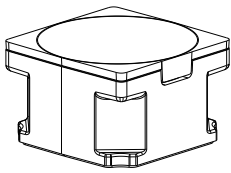
## DETAILS

<b>Product Number</b>	FCA10305_CR5-M
<b>Family</b>	Rose
<b>Type</b>	Assembly
<b>Color</b>	grey
<b>Diameter</b>	21,6 + 21,6 mm
<b>Height</b>	13,8 mm
<b>Style</b>	square
<b>Optic Material</b>	PC
<b>Holder Material</b>	
<b>Fastening</b>	tape
<b>Status</b>	production ready
<b>ROHS Compliant</b>	Yes
<b>Date Updated</b>	12/09/2012

## OPTICAL PROPERTIES

LED	Viewing Angle	Light Beam	Efficiency	cd/lm	Connector
XR-E	31 deg	Medium	85 %	2.540	-



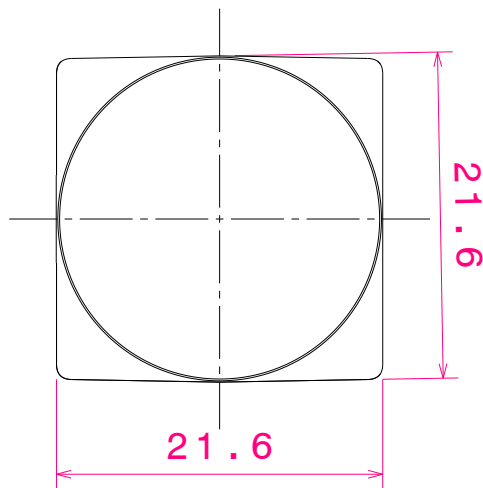
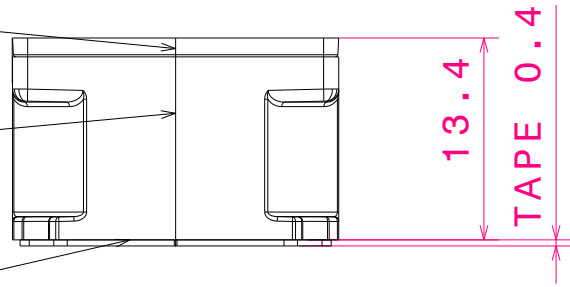


Isometric view  
Scale: 1:1

Lens ROSE

Holder

Adhesive Tape



**MATERIALS**

LENS: PC

HOLDER: PC

Tape: PU foam with PSA adhesive

This drawing is our property.  
It can't be reproduced  
or communicated without  
our written agreement.



L  
T  
F  
F

e  
e  
i  
i  
N  
n

d

**DRAWING TITLE**

Datasheet CRS assy

**DRAWN BY**

p

**DATE**

05.11.2008

**CHECKED BY**

H

**DATE**

10.10.2006

**DESIGNED BY**

HH

**DATE**

10.10.2006

**SIZE**

A4

**DRAWING NUMBER**

**REV**

1

**SCALE**

2:1

**WEIGHT (g)**

-

**SHEET**

1/1

D

A

4

4

3

3

2

2

1

1

**NOTE: The typical divergence will be changed by different color, chip size and chip position tolerance. The typical total divergence is the full angle measured where the luminous intensity is half of the peak value.**