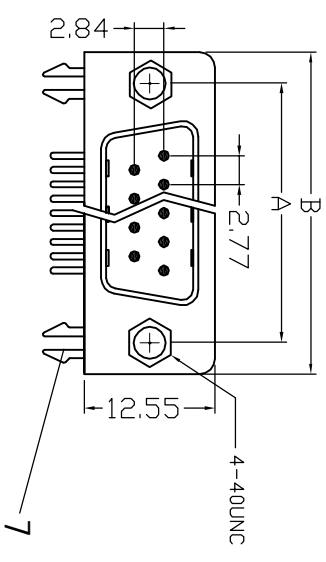
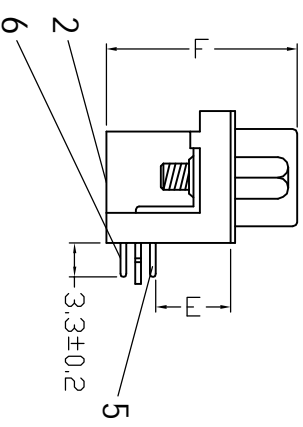
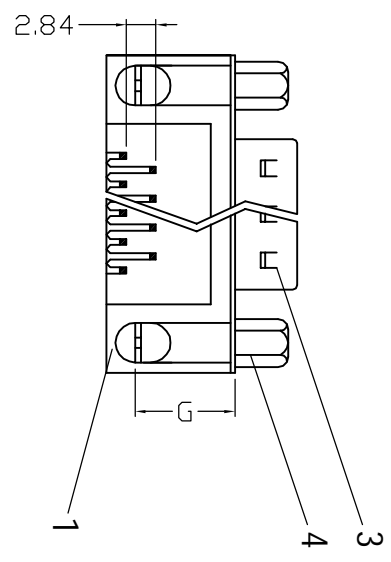


序号/Rev.No.	名称/Title	文件编号/File No.
1	107M塑件主体	QJ/XYT-11093--11096
2	107塑件后盖	QJ/XYT-11101--11104
3	107M触壳	QJ/XYT-11089--11092
4	DR螺丝	QJ/XYT-11084
5	107M端子(短)	QJ/XYT-11078
6	107M端子(长)	QJ/XYT-11079
7	107Z字片	QJ/XYT-11083

Specifications:
 Contact Resistance: 30mΩ max. at dc 100 mA
 Insulator Resistance: 1000MΩ min. at DC 500V
 Current Rating: 5AMP

Dielectric Withstanding
 Voltage: AC 1000V For 1 minute
 Operating Temperature: -55°C--+105°C
 Contact: Brass (half gold plating)
 Housing: PBT 830% Glass Fiber (UL 94V-0)



Position	A	B
9	24.99	30.81
15	33.32	39.20
25	47.04	53.10
37	63.50	69.50

E	F	G
7.2	18.4	9.62
9.4	20.64	12.06
13.84	25.3	16.5

- 要求:
 1. 塑料件无裂痕。
 2. 整排端子成一直线, 相邻端子之间相互平行。

设计/Designed by	绘图/Draw ing by	审核/Checked by	批准/Approved by	未注公差 General Tolerance
				X: ±0.2 X: ±0.1 .XX ±0.05 .xxx ±0.01
图名/Title		文件编号/File No.		X: ±2° .X ±1° .XX ±0.5° .xxx ±0.01
107M产品图		QJ/XYT-12013		
备注/Remark		页序/Sheet		单位/Units: mm
序号/Rev.No.	更改记录/Revision note	签名/Signature	日期/Date	



新亚电子
 XINYA ELECTRONIC CO.,LTD