

TC1602D-02

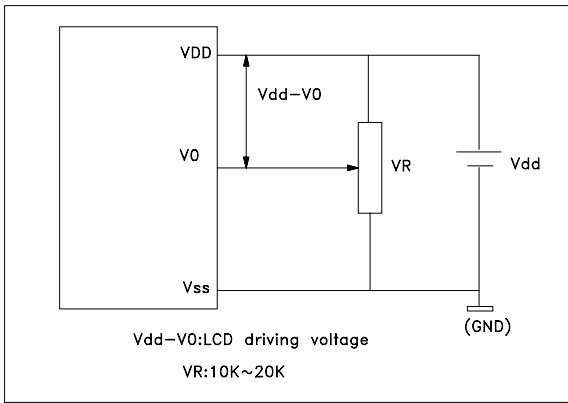
Series

| | |
|-----------------------|-------------------------|
| Display Format | 16 Characters X 2 Lines |
| Drive Method | 1/16 Duty , 1/5 Bias |
| LCD Type | STN Blue |
| LED Backlight | white |
| Viewing direction | 6:00 |
| Operating Temperature | -20+70 C |

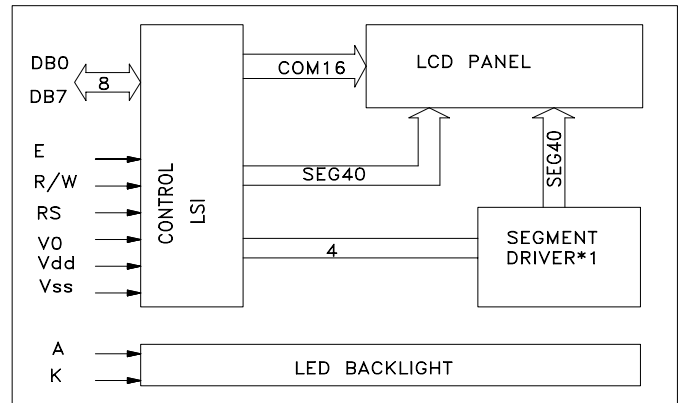
Electrical Characteristics

| ITEM | Symbol | Condition | Standard value | | | UNIT |
|--------------------------|-----------------|-----------------|----------------|------|------|------|
| | | | Min. | Typ. | Max. | |
| Supply Voltage For Logic | $V_{DD-V_{SS}}$ | -- | 4.5 | 5.0 | 5.5 | V |
| Supply Voltage For LCD | V_{DD-V_0} | -- | -- | 4.7 | -- | V |
| Input High Voltage | V_{IH} | -- | 2.2 | -- | 5.0 | V |
| Input Low Voltage | V_{IL} | -- | -0.3 | -- | 0.6 | V |
| output High Voltage | V_{OH} | $I_{OH}=-0.1mA$ | 2.4 | -- | 5.0 | V |
| output Low Voltage | V_{OL} | $I_{OL}=0.1mA$ | -- | -- | 0.4 | V |
| Power Supply Current | I_{DD} | $V_{DD}=5.0V$ | -- | 1.5 | 3.0 | mA |
| With B/L | I_{LED} | $V_{LED}=5.0V$ | -- | 60 | 80 | mA |

Power supply



Block Diagram



EXTERNAL DIMENSIONS AND DISPLAY PATTERN

