

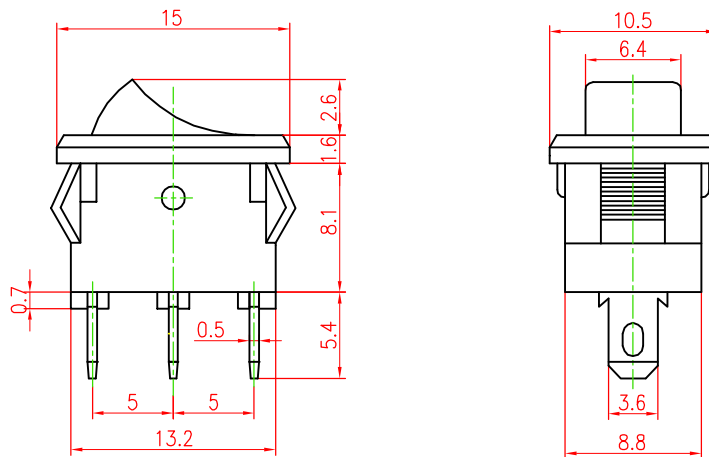
## Sub-Miniature Rocker Switch

<TYPE>: SMRS-102-1

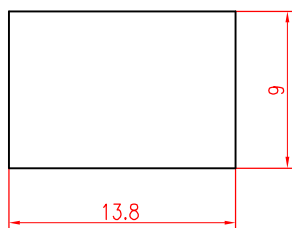
### Specification

- 1.(Rating): 3A 125V AC; 1A 250V AC
- 2.(Contact R): 35 OHM  $\varnothing$  max
- 3.(Insulation R): 500V DC 100 OHM  $\varnothing$  min
- 4.(Dielectric Strength): 1 Minute 1500V AC
- 5.(Operating Temperature):  $-30^{\circ}\text{C}+80^{\circ}\text{C}$
- 6.(Electrical Life): 10.000 Cycles

### Outline Drawing



### Mounting



### Circuitry

