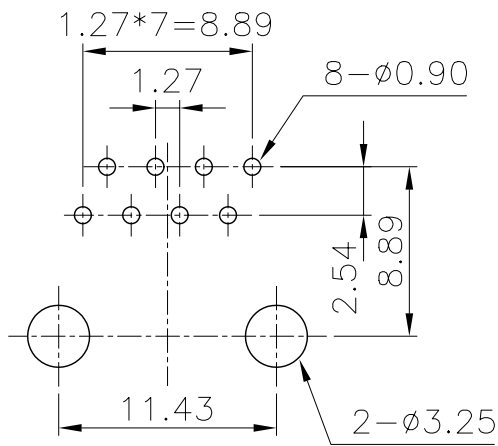


P.C.B LAYOUT TOP VIEW



- 6u" P/N 3009796100
- 15u" P/N 3009796200
- 30u" P/N 3009796300
- 50u" P/N 3009796400

MATERIALS:  
 PLASTIC HOUSING: ENGINEERING THERMOPLASTIC  
 FLAMMABILITY RATING UL 94V-0.  
 CONTACTS: 0.35MM THICKNESS PHOSPHOR BRONZE  
 PLATING: GOLD PLATING OVER NICKEL IN CONTACT.  
 TIN PLATING OVER NICKEL IN SOLDER AREA.

※凡標註△記號者, 為品管檢驗之尺寸

設計DR. YANG 93-01-30	核准APPD. Jerry 93-01-30	容許公差 TOLERANCE .XXX ±0.10 .XX ±0.25 .X ±0.38 X ±0.50 ANG ±3°	品名 ARTICLE TOP ENTRY PCB JACK(8P8C)
版本說明 REVISION NOTE			圖號 DWG NO. 3009796100
			單位 UNIT mm 比例 SCALE 2.5/1 張數 SHEET 1/1 版本 REV. A