
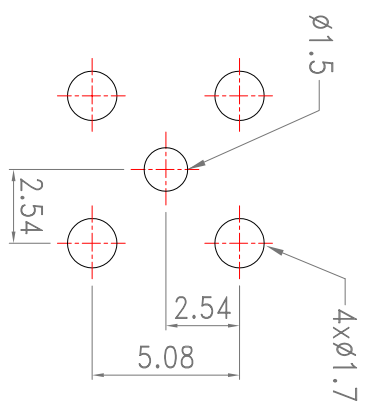
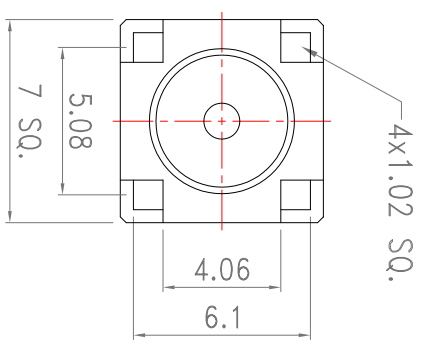
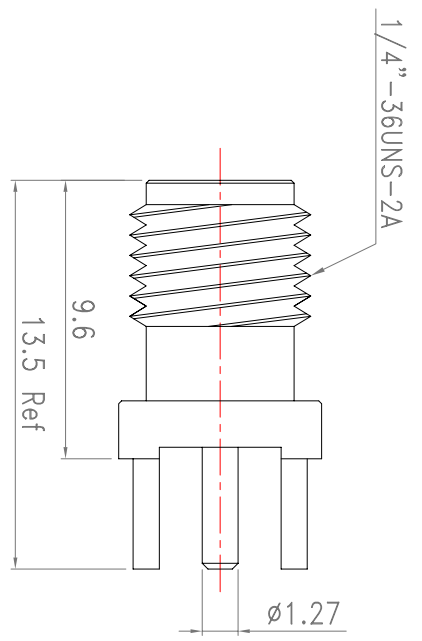


Revisions			
ISS	Symbol	Description	Date
B		CHE for New Drawing Frame & New P/N System	2006/07/10



Recommended PCB Layout

ITEM	Description	Material	Finish	Part Number	QTY
4					
3	Pin	BeCu	30u" Gold		
2	Insulator	PTFE	None		
1	Body	Brass	Gold		

Scale	Abbr.	Date	Rev.
NTS	ST	2006.07.28	B

Tolerances:
 .X ±0.5
 .XX ±0.3
 .XXX ±0.2
 All Dimensions in mm
 (Unless Otherwise Specified)

Drawn	Checked	Approved
<i>g. g</i>	<i>Mindy</i>	<i>g. Jun</i>
2006.07.28	2006.07.28	2006.07.28

Proprietary Note
 This document contains information proprietary to S-Comm, which is either copyrighted, or patent applied for, and / or protected by trade secret laws.
 This document or parts thereof, may not be used, disclosed or reproduced in any form by any method, or for any purpose, without the written permission of S-Comm, Taiwan.
 Customer P/N: Nil

DWG.NO.	TITLE.
S2111L0029	SMA Straight Jack, PCB Type

RoHS COMPLIANCE



ISO 9001 Certified

S-Comm Enterprise Co., Ltd