

Materials :

Insulator: PBT + 30% GF. UL 94V-0

Contacts: Brass

Shell: Brass

Shell Plating: Nickel plated

Ordering Code:

CJ02 S A H 0 0 00  
 ① ② ③ ④ ⑤ ⑥ ⑦

① Series No.

② S= Socket

③ Plating option:

A= Selective Gold flash

plated over 1.27µm(50 µin) Nickel

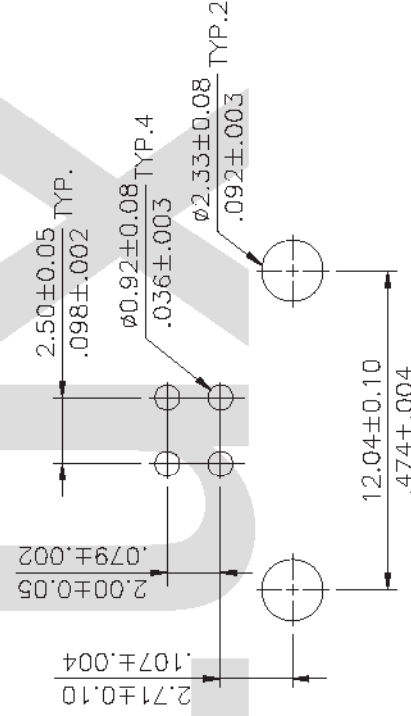
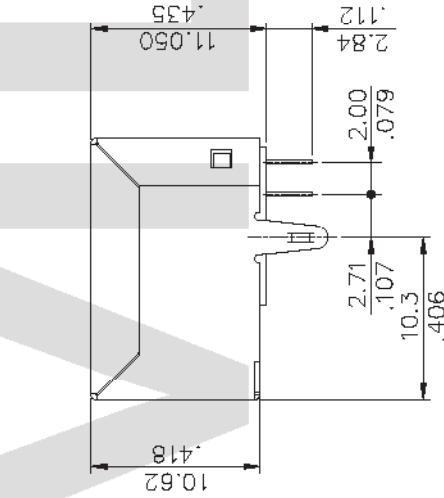
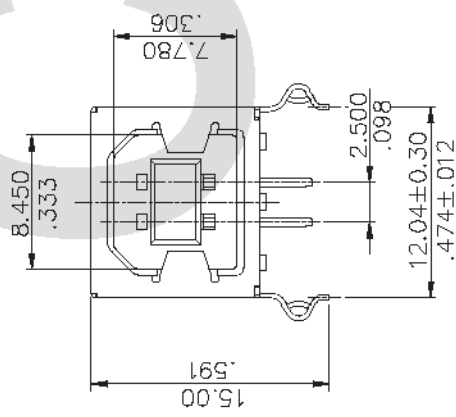
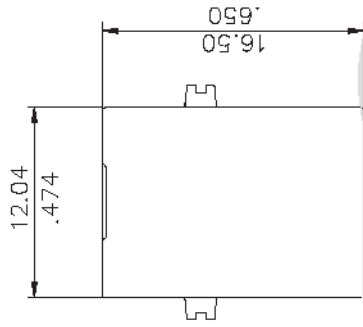
C= Selective 0.76µm(30 µin) Gold plated  
 over 1.27µm(50 µin) Nickel

④ H= Right angle

⑤ Insulator Color: 1= Black, 0= White

⑥ 0= Standard

⑦ Option: 00= Standard



Recommended P.C. Board Layout

CVILUX CORP.  
 2007.01.23  
 ISSUED

④	Sandy	1/16/06	ECN06495/ECR06080-1	DATE	1/16-07	UNIT: mm / inch	TITLE: U.S.B TYPE B RIGHT ANGLE BOARD MOUNT SOCKET	RoHS Compliant
③	Hank	11/8/06	ECN06412	DRAWN BY: Sandy	1/18-07	TOLENANCE UNLESS OTHERWISE SPECIFIED	MATERIAL:	瀚荃股份有限公司 CviLux Corporation
②	Sandy	9/12/05	ECR05075-0/ECN05298	ENGINEER: Easley	1/18-07	X ± 0.30/.012 X' ± 1"	FINISH:	DRAWING NO. CU0202SM PART NO. CU02S*H*000
①	Sun	7/01/05	ECR05062-0/ECN05231	CHECKED BY: David	1/18-07	XX ± 0.20/.008 X' ±		SCALE 2 / 1 SHEET 1 OF 1
SYM	NAME	DATE	REVISIONS	APPROVED BY: David	1/18-07	.XXX ± 0.15/.006 .XX' ±		