

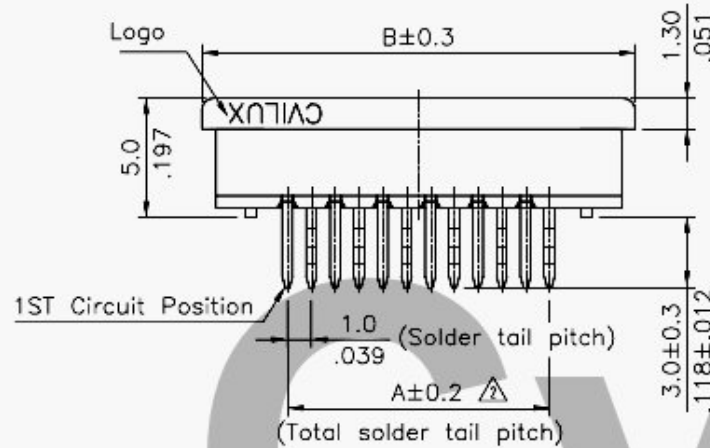
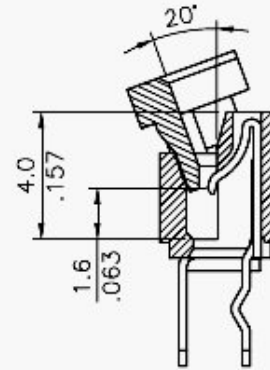
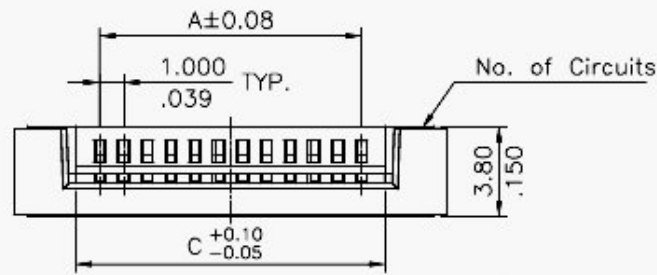
Material:

- \* Insulation: Nylon 6T UL 94V-0  
Color Nature
- \* Slider: Nylon 6T UL 94V-0, Color Brown
- \* Contact: Phosphor Bronze

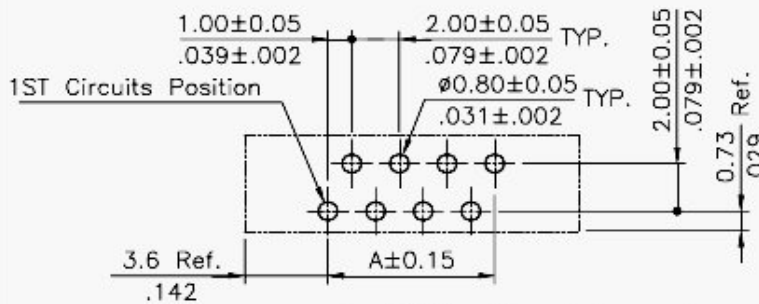
Ordering Code

CF10 \*\* 1 V 0 T 0  
① ② ③ ④ ⑤ ⑥ ⑦

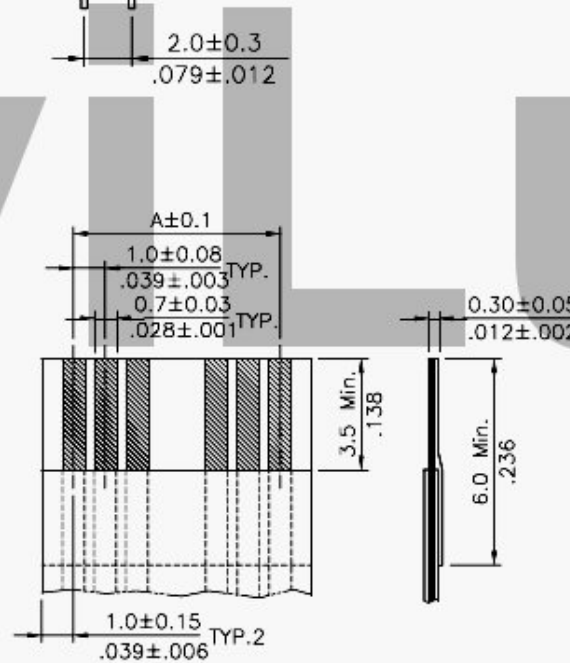
- ① Series No.
- ② No. of Circuits
- ③ Plating code:  
1 = Tin plated over Nickel
- ④ Contact type: V = Straight DIP type
- ⑤ Insulation Color: 0 = Nature
- ⑥ Packing : T = Tube Packaged
- ⑦ Other option: 0 = Standard



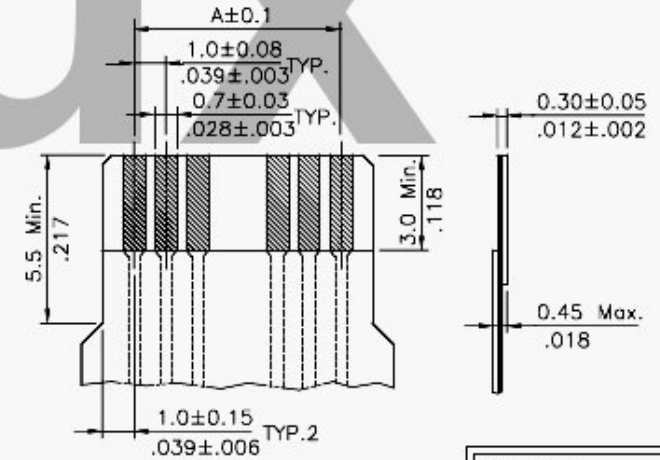
A = 1.00 \* No. of Spaces  
B = A + 7.2  
△ C = A + 2.1  
\* Available in 4 through 32 circuits



Recommended P.C. Board Layout




\* ACCOMMODATED FFC



\* ACCOMMODATED FPC

RoHS Compliant

④					DATE	UNIT: mm / inch	TITLE: 1.00mm(.039") ST. DIP TYPE ZIF FFC/FPC CONNECTOR	 瀚荃股份有限公司 CviLux Corporation
③				DRAWN BY: SUN	10/28-05'	TOLERANCE UNLESS OTHERWISE SPECIFIED	MATERIAL:	
②	Sun	10/27/05'	ECN05368	ENGINEER: EISLEY	10/31-05'	.X ± 0.15/.006 X' ± 1'		
①	Sun	8/11/05'	ECN05268	CHECKED BY: DAVID	10/31-05'	.XX ± 0.10/.004 X' ±	FINISH:	
SYM	NAME	DATE	REVISIONS	APPROVED BY: ALEX	10/31-05'	.XXX ± 0.05/.002 .XX' ±		DRAWING NO. CF1001SE PART NO. CF10**1V0T0
								SCALE 3 / 1 SHEET 1 OF 1