

CUSTOMER DRAWING

REV.	DESCRIPTION.	DATE.	DR.	CHK.	
F	REVISED	01/28/03'	Tina	Ren	Peter

ORDERING INFORMATION

FNA21 011 TO 2

① ② ③ ④

① **PRODUCT SERIES**

1.0mm NONZIF FPC CONN.
SIDE ENTRY UPPER CONTACT
DIP TYPE

③ **CONTACT PLATING**

TO: TIN PLATED
(Sn/Ni : 120u"/40u")

② **NUMBER OF CONTACTS**

4 - 34

④ **PACKING METHOD**

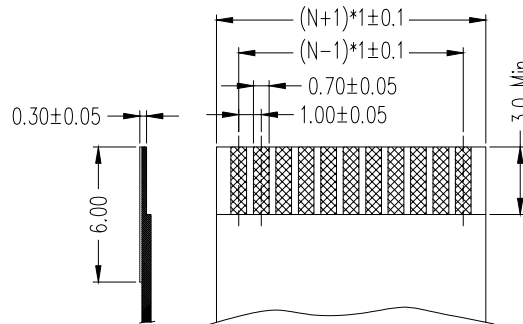
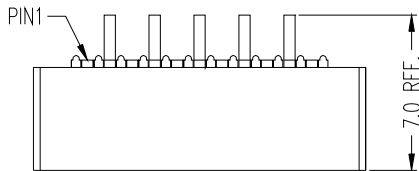
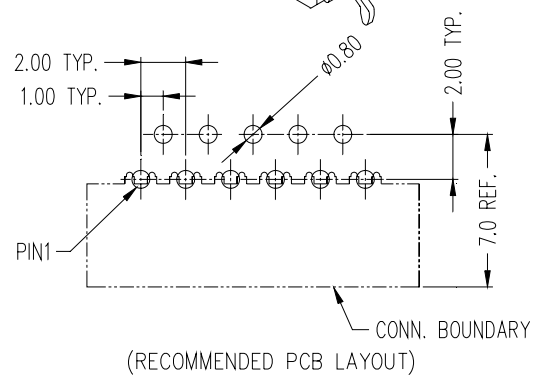
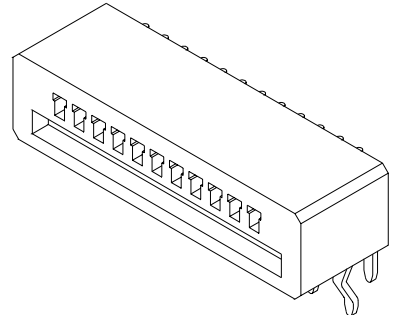
1: TRAY
2: TUBE

PERFORMANCE CHARACTERISTICS

Operating Voltage: 50 VAC Max.
Current Rating: 0.5 Amp Max.
Contact Resistance: 30 mΩ Max.
Insulation Resistance: 500 MΩ Min.
Dielectric Withstanding Voltage: 500 VAC RMS.
Operating Temperature: -40°C TO +85°C
Accommodated FFC/FPC Thickness: 0.25~0.35mm

MATERIAL

Insulator: Glass Reinforced Thermoplastic
UL94V-0 Rated
Insulator Color: Black
Terminal: Phosphor Bronze
Plating: Tin Alloy plated



N=NUMBER OF CONTACTS
(APPLICABLE FPC/FFC)

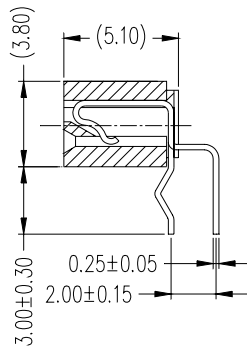
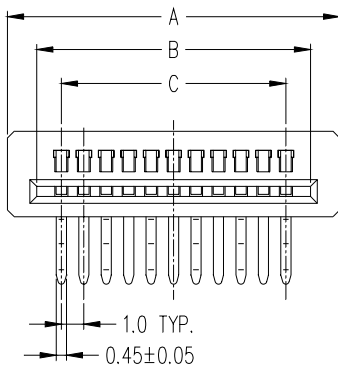


TABLE OF DIM.

POS.	A±0.20	B±0.10	C±0.15	POS.	A±0.20	B±0.10	C±0.15
4	7.80	5.05	3.00	20	23.80	21.05	19.00
5	8.80	6.05	4.00	21	24.80	22.05	20.00
6	9.80	7.05	5.00	22	25.80	23.05	21.00
7	10.80	8.05	6.00	23	26.80	24.05	22.00
8	11.80	9.05	7.00	24	27.80	25.05	23.00
9	12.80	10.05	8.00	25	28.80	26.05	24.00
10	13.80	11.05	9.00	26	29.80	27.05	25.00
11	14.80	12.05	10.00	27	30.80	28.05	26.00
12	15.80	13.05	11.00	28	31.80	29.05	27.00
13	16.80	14.05	12.00	29	32.80	30.05	28.00
14	17.80	15.05	13.00	30	33.80	31.05	29.00
15	18.80	16.05	14.00	31	34.80	32.05	30.00
16	19.80	17.05	15.00	32	35.80	33.05	31.00
17	20.80	18.05	16.00	33	36.80	34.05	32.00
18	21.80	19.05	17.00	34	37.80	35.05	33.00
19	22.80	20.05	18.00				

	ANCE
	(UNLESS SPECIFIED)
	0.0 ±0.35
	0.00 ±0.20
0.000 ±0.XX	

UNITS: MM

TITLE:
1.0 NONZIF FPC CONN. SIDE ENTRY
UPPER CONTACT DIP TYPE.

DWG NO.
FNA21_C
FILE PATH
PD\FN\FN001\FNA21\FNA21_CF

SERIES
FN

SHEET
1/1

REV.
F