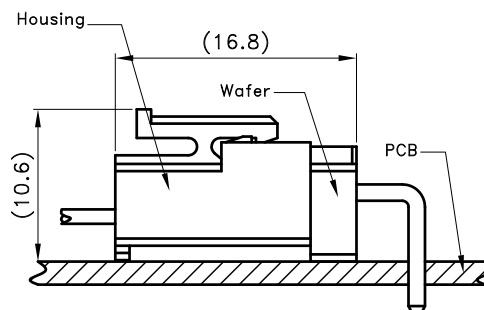
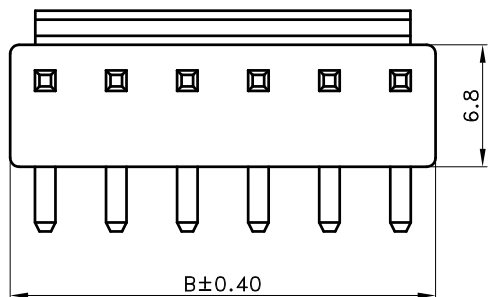
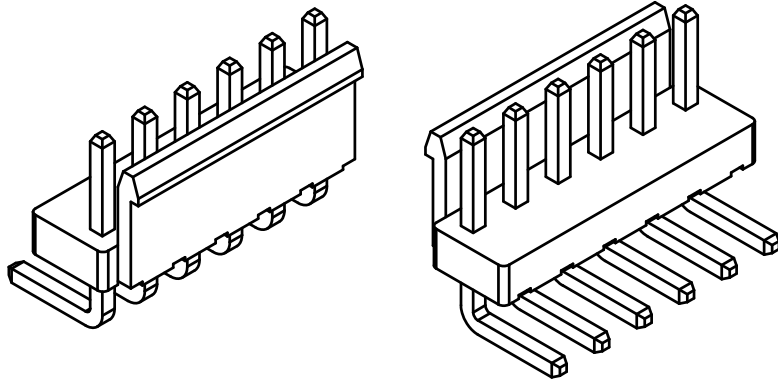
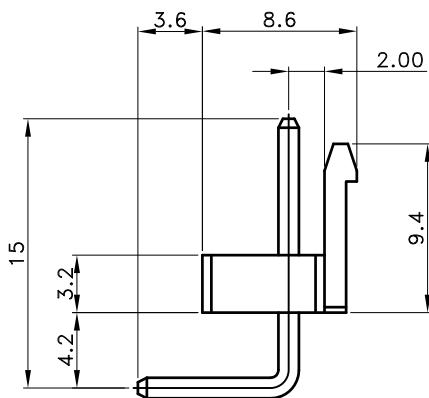
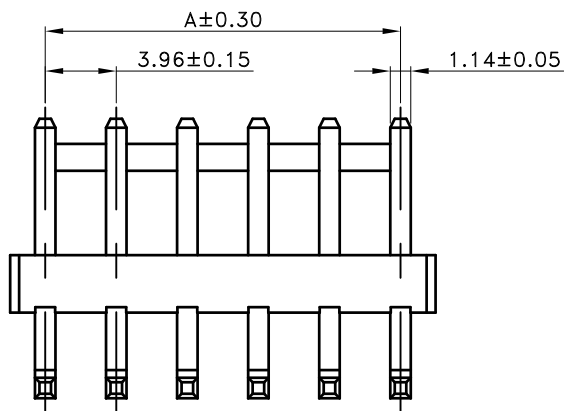


Recommend PCB Layout



Recommend Assembly Dim



■ SPECIFICATIONS

- Current Rating : 7A AC/DC
- Withstanding Voltage : 1500V AC/minute
- Insulation Resistance : 1000MΩ min
- Temperature Range : - 25°C to + 105°C Δ
- Contact Resistance : 20mΩ max

■ WAFER

- Part No. : JS-1120R-XX
- Poles : 2~15 (Straight)
- RoHS Compliant
- Material : Contact : Brass, Tin Plated
Base : Nylon 66 UL94V-0
- Mating Housing : JS-1121-XX
- Mating Terminal : JS-1121-T
- Q' ty: 1000 pcs./Bag

Poles	Dimension(mm)	
	A	B
2	3.96	7.86
3	7.92	11.82
4	11.88	15.78
5	15.84	19.74
6	19.80	23.70
7	23.76	27.66
8	27.72	31.62
9	31.68	35.58
10	35.64	39.54
11	39.60	43.50
12	43.56	47.46
13	47.52	51.42
14	51.48	55.38
15	55.44	59.34



喬訊電子工業股份有限公司
CHYAO SHIUNN
ELECTRONIC INDUSTRIAL LTD.

PART NO JS-1120R-XX
3.96mm Wire to Board Power Connector Series.

APPROVED BY	SCALE	UNIT	TOLERANCE	LTR	REVISION RECORD	DATE	LTR	REVISION RECORD	DATE
張育瑞		mm	.0 ±0.30	ECR	新增3D視圖及互配圖	10/06/11			
CHECKED BY	PROJ	VER NO.	.00 ±0.20	Δ	變更最高工作溫度	10/10/27			
黃科源	⊕ □	a3	.000 ±0.10						
DRAWN BY	DATE	SIZE	ANGLE						
吳沛倫	2010/10/27	A4	0° ±						
			.0° ±						

CUSTOMER
Conforms to The RoHS Instruction