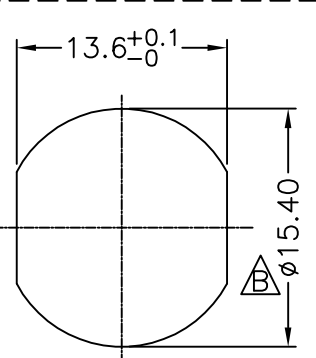
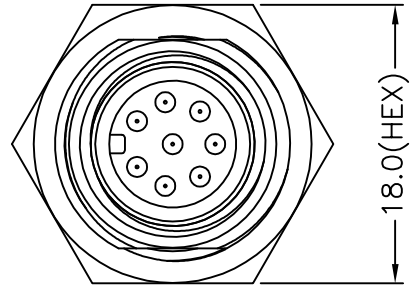
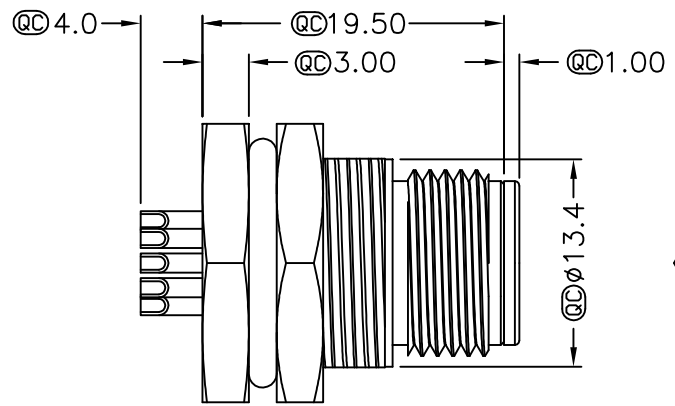
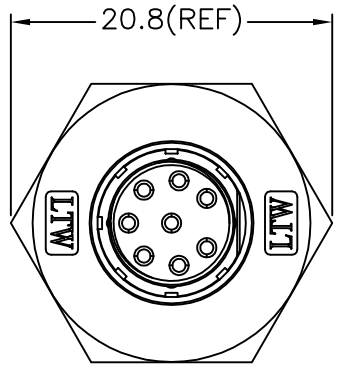
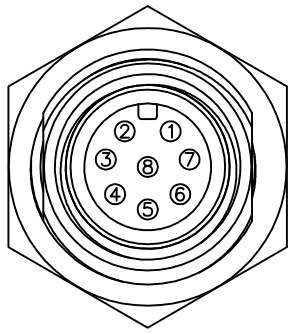
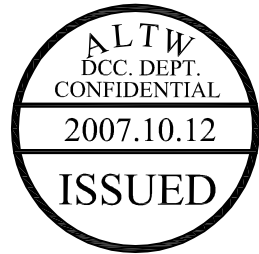
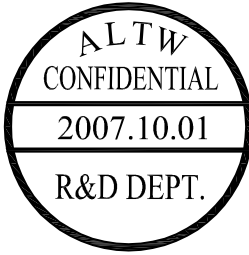


REV.	ECN NO.	DATE	SIGN	DESCRIPTION
B	LEN-750140	2007/05/09	Jason	Change Panel Cut-Out
C	LEN-7A0025	2007/10/01	Rommel A. Vergara	Add Note

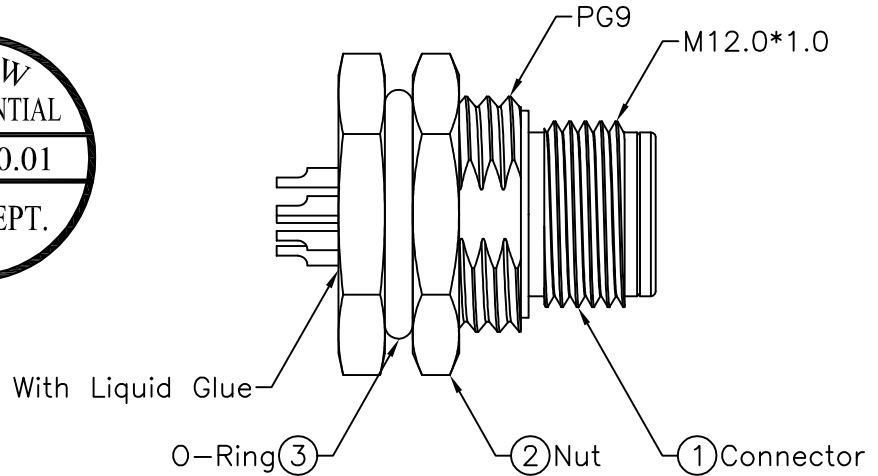
THIS DOCUMENT IS SUBJECT TO CHANGE WITHOUT NOTICE. IT IS CONFIDENTIAL AND A PROPERTY OF Amphenol LTW. DISCLOSURE TO THIRD PARTY HAS TO BE AUTHORIZED BY Amphenol LTW.



Recommended
Panel Cut-Out



Pin Assignments
Front View



- Note:
- * @C Important Dimension.
 - * Waterproof Rate: IP68
 - * Housing: Black, Nylon+GF
 - * Male Pin: Copper Alloy, Gold Plated
 - * Shield: Zinc Alloy, Nickel Plated
 - * Nut: Zinc Alloy, Nickel Plated
 - * O-Ring: Black, EPDM
 - * For Panel Thickness Max 4.5mm
 - * Nut Torque: 4-6 kgf.cm

UNIT:mm		TITLE M12 Conn Panel Screw 8Pin M Conn M Pin		Amphenol LTW		ITEM NO 12-08PMMS-SF8001	DRAWN BY Rommel A. Vergara	DATE 2007/10/01
TOLERANCE .X ±0.25 .XX ±0.1 .XXX ±0.05 ANGLES ±1°		SCALE Free	SHEET 1 OF 1	安費諾亮泰企業股份有限公司		DWG NO 12-08PMMS-SF8001	CHECKED BY Alan MJ Sundo	DATE 2007/10/01
REV. C	SIZE A4	@C : Inspection Item		CUSTOMER ALTW		APPROVED BY Cloud		DATE 2007/10/04