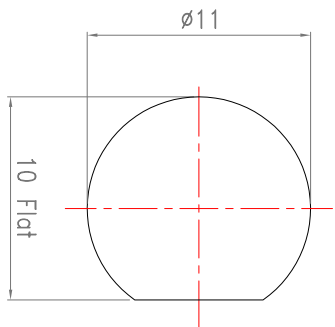
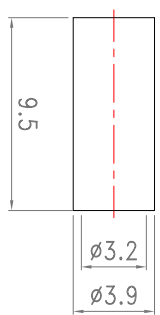
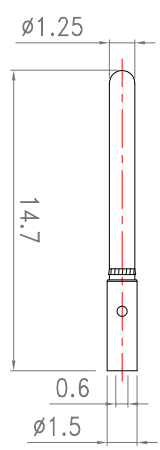
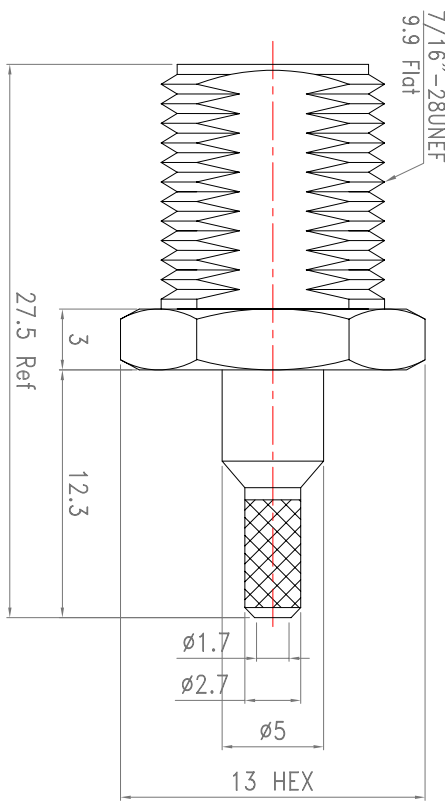
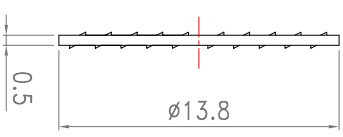
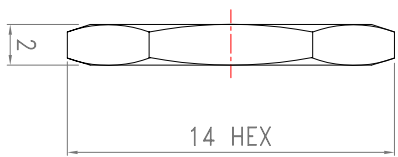


Revisions			
ISS	Symbol	Description	Date
B		CHE for New Drawing Frame & New PN System	2006/07/10



Recommended Mounting Hole



ITEM	Description	Material	Finish	Part Number	QTY
6	Nut	Brass	Nickel		
5	Washer	Brass	Nickel		
4	Ferrule	Brass	Nickel		
3	Pin	Brass	3u" Gold		
2	Insulator	PTFE	None		
1	Body	Brass	Nickel		

Scale	Abbr.	Date	Rev.
NTS	ST	2007.09.11	B

Drawn	Checked	Approved
<i>g. g</i>	<i>Ryan</i>	<i>g. Jun</i>
2007.09.11	2007.09.11	2007.09.11

Proprietary Note
 This document contains information proprietary to S-Comm, which is either copyrighted, or patent applied for, and / or protected by trade secret laws.
 This document or parts thereof, may not be used, disclosed or reproduced in any form by any method, or for any purpose, without the written permission of S-Comm, Taiwan.

Customer P/N: Nil

DWG.NO. A105A0N21-M-1

TITLE: FME Bulkhead Crimp Plug for RG174 Cable

ROHS COMPLIANCE



ISO 9001 Certified

S-Comm Enterprise Co., Ltd