**Product number C11889_STRADA-SQ-T-DN**

Family	Strada-SQ	FWHM	Asym degrees
Type	Lens	Efficiency	93 %
LED	XP-G2	cd/lm	0.600
Color	Clear	Gerber File	Available
Diameter	25 + 25 mm		
Height	7.9 mm		
Style	Square		
Optic Material	PMMA		
Holder Material	-		
Fastening	Screw, pin, glue		
Status	On production		

Product number CA11890_STRADA-SQ-T-DN

Family	Strada-SQ	FWHM	Asym degrees
Type	Assembly	Efficiency	93 %
LED	XP-G2	cd/lm	0.600
Color	Clear	Gerber File	Available
Diameter	25 + 25 mm		
Height	8.05 mm		
Style	Square		
Optic Material	PMMA		
Holder Material	-		
Fastening	Screw, pin, tape		
Status	On production		

NOTE: The typical divergence will be changed by different color, chip size and chip position tolerance. The typical total divergence is the full angle measured where the luminous intensity is half of the peak value.



PRODUCT DATASHEET Strada-SQ series

last update 26/8/2014

GENERAL INFORMATION

- Product series especially designed & optimized for XP-G2 series of LEDs.
- Special care taken to make light distribution as uniform as possible.
- Lens material optical grade PMMA with high UV and temperature resistance. Allows use of high current and temperature conditions.

Please find more information about used material from below:

http://ledil.fi/sites/default/files/Documents/Technical/Material/PMMA%20N%20UL94_Yellow%20Card.pdf

<http://ledil.fi/sites/default/files/Documents/Technical/Material/PMMA%20N%20PLEXIGLAS-Datasheet.pdf>

D

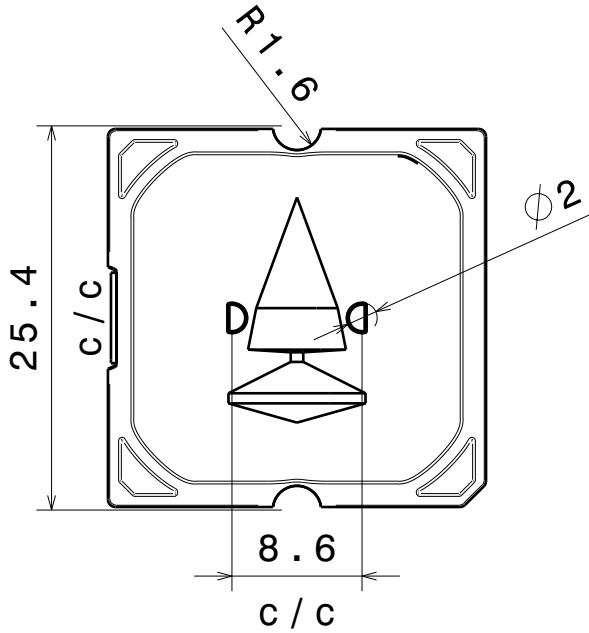
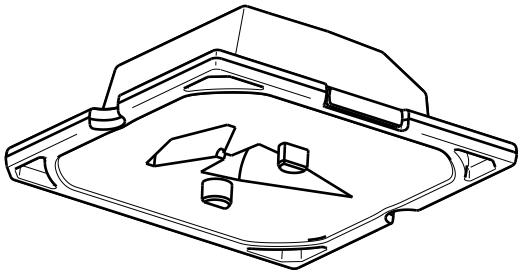
C

B

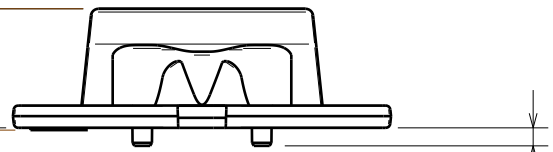
A

4

4

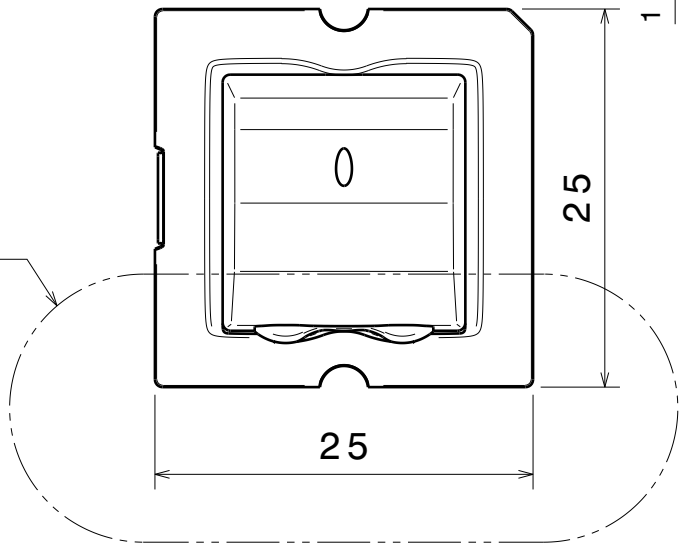


8.05
with Tape
7.9



1.2

Beam direction



3

3

2

2

Part no.s:
C11889_Strada-SQ-T-DN-XM-L

Part no.s with tape:
CA11890_Strada-SQ-T-DN-XM-L-TAPE

MATERIALS
Lens: PMMA
Tape(optional): PU Foam

This drawing is our property.
It can't be reproduced
or communicated without
our written agreement.



Ledil Oy
Tehdaskatu 13
FIN-24100 SALO
Finland

DRAWING TITLE

Datasheet Strada-SQ-T-DN-XM-L Lens

DRAWN BY

mav

DATE

01.12.2010

CHECKED BY

pv

DATE

01.12.2010

SIZE

A4

DRAWING NUMBER

C11889

REV

1

DESIGNED BY

hh

DATE

01.12.2010

SCALE

2:1

WEIGHT (g)

SHEET

1/1

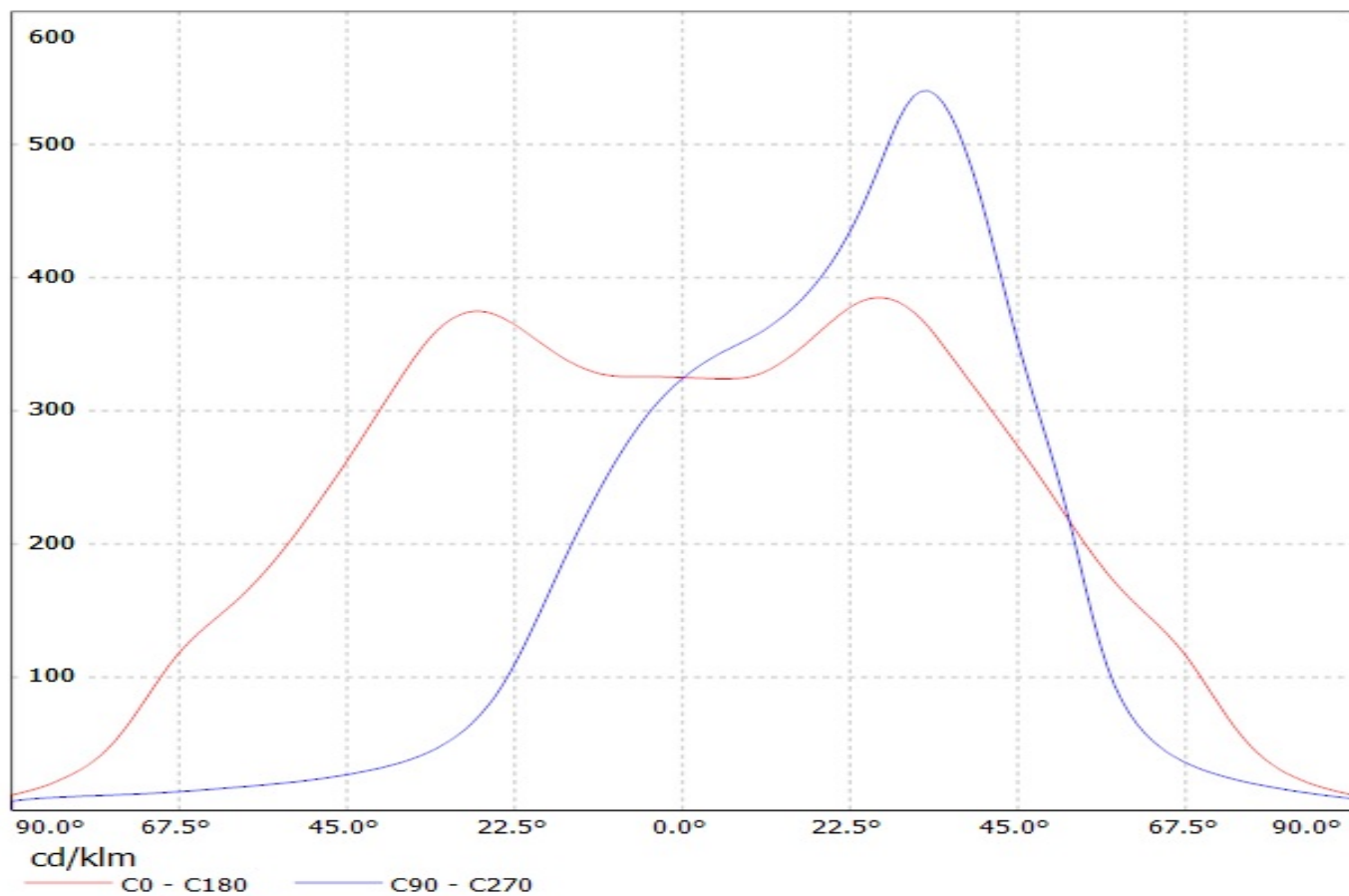
D

A

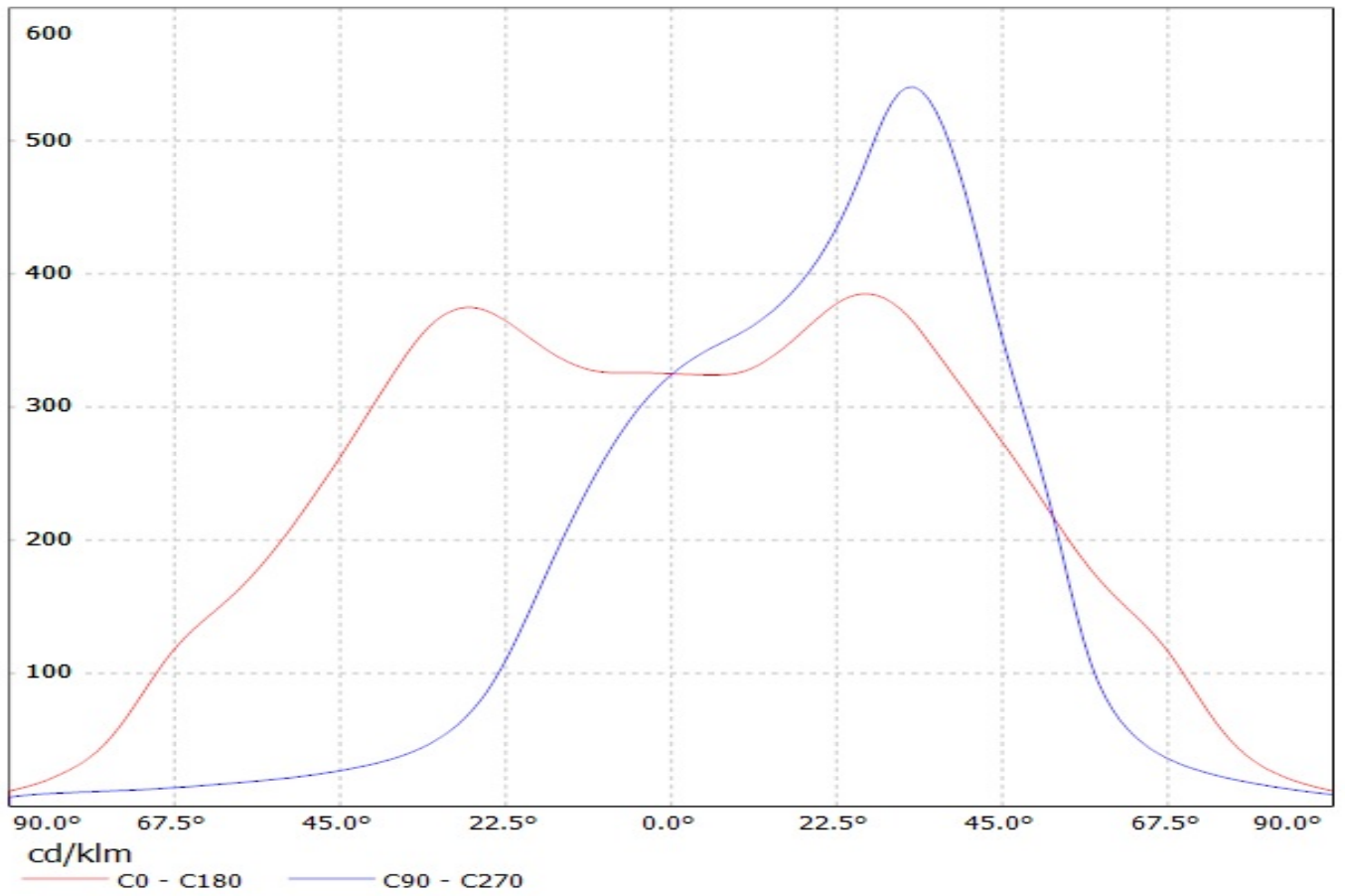
1

1

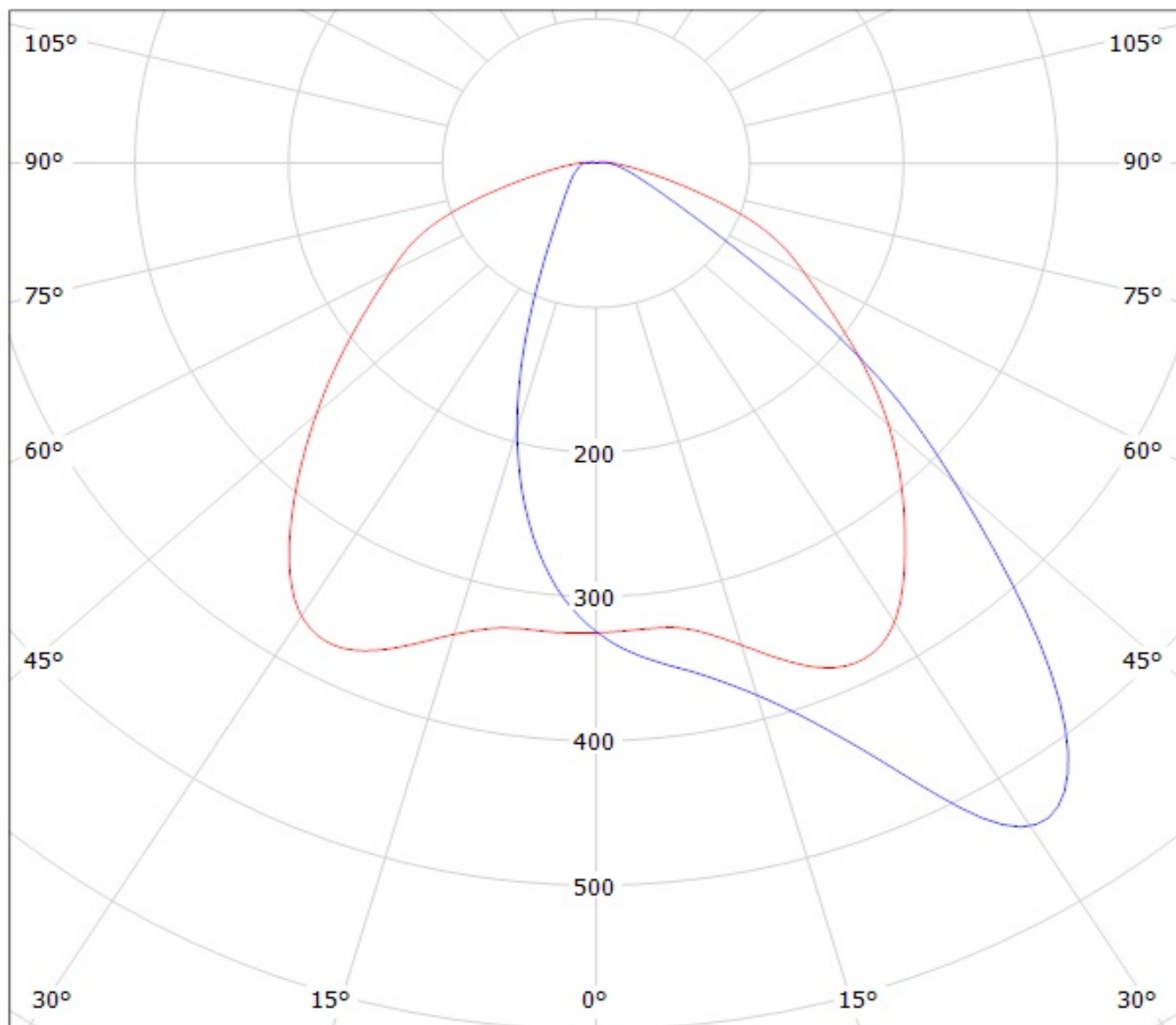
Luminaire: LEDiL Oy C11889_STRADA-SQ-T-DN_(XP-G2) Eff: 93%
Lamps: 1 x CREE_XP-G2_(XPGBWT-H1-7B4-R4-0-04)_101.823lm@250mA_P=0.755848W_I=249.9mA



Luminaire: LEDiL Oy CA11890_STRADA-SQ-T-DN_(XP-G2) Eff: 93%
Lamps: 1 x CREE_XP-G2_(XPGWBW-H1-7B4-R4-0-04)_101.823lm@250mA_P=0.755848W_I=249.9mA

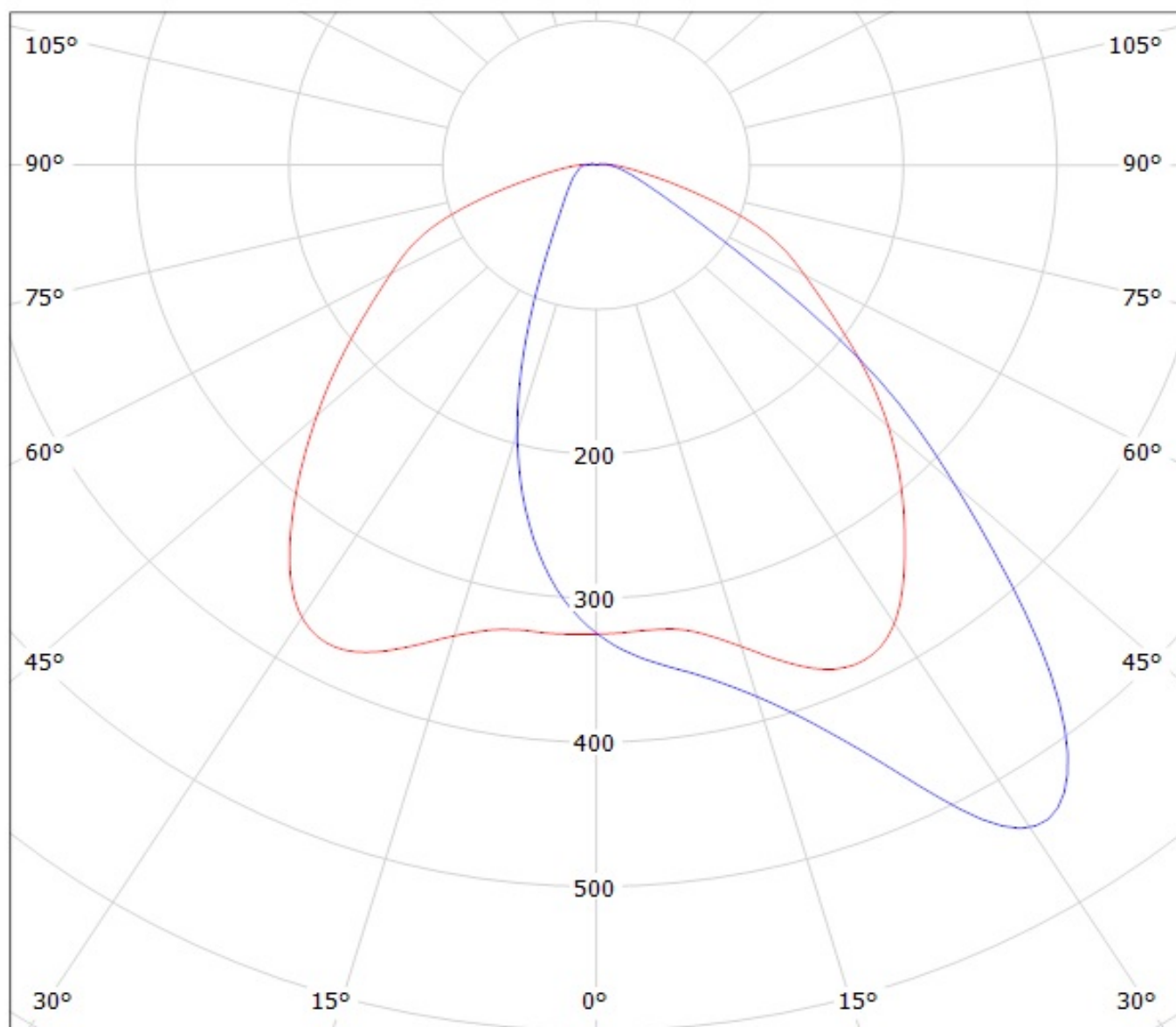


Luminaire: LEDiL Oy C11889_STRADA-SQ-T-DN_(XP-G2) Eff: 93%
Lamps: 1 x CREE_XP-G2_(XPGBWT-H1-7B4-R4-0-04)_101.823lm@250mA_P=0.755848W_I=249.9mA



cd/klm
— C0 - C180 — C90 - C270

Luminaire: LEDiL Oy CA11890_STRADA-SQ-T-DN_(XP-G2) Eff. 93%
Lamps: 1 x CREE_XP-G2_(XPGBWT-H1-7B4-R4-0-04)_101.823lm@250mA_P=0.755848W_I=249.9mA



cd/klm
— C0 - C180 — C90 - C270