

# MARITEX SW-PB18Bx

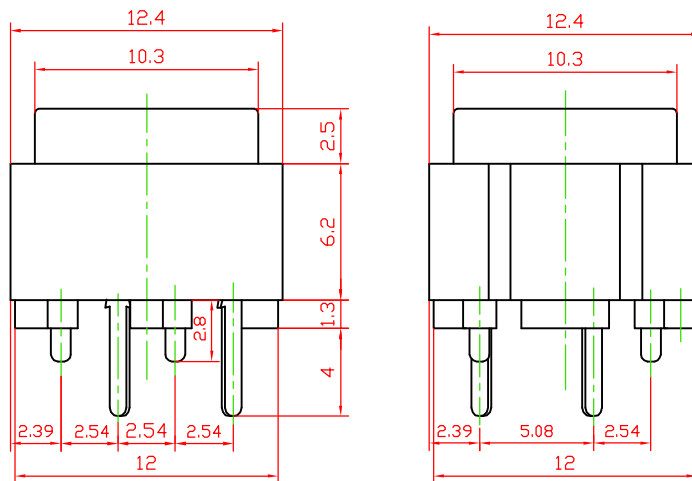
## Push-Button Switch

(TYPE): PBS-18B

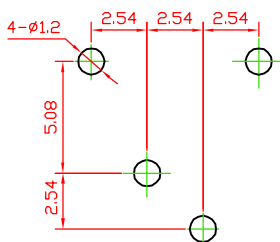
### Specification

- 1.(Rating): 25mA 50V AC or DC
- 2.(Contact R): 20 OHM  $\supset$  max
- 3.(Insulation R): 500V DC 100 OHM  $\supset$  min
- 4.(Dielectric Strength): 1 Minute 1000V AC
- 5.(Electrical Life): 50.000 Cycles

### Outline Drawing



### Mounting



### Circuitry

