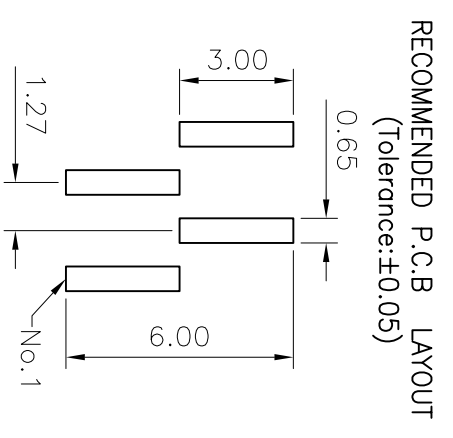
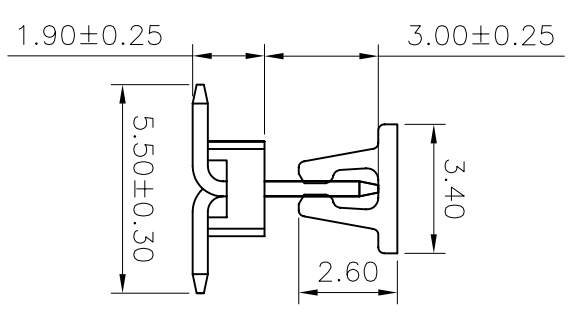
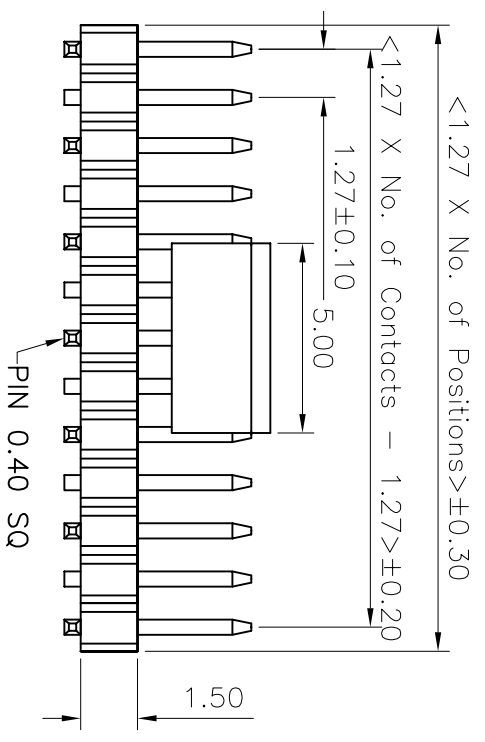
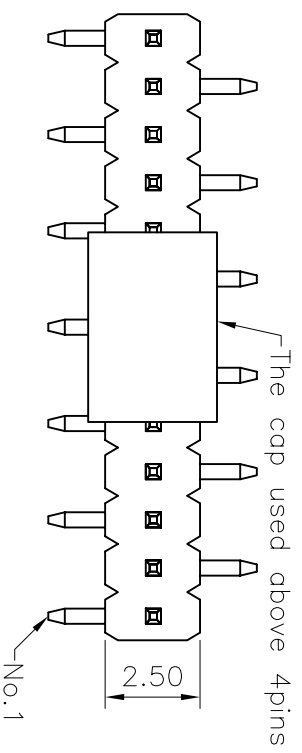


REV.	LOCAS.	DESCRIPTION	DATE	DRAWN
A		轉環保圖	2006.09.25	丁敏



### Ordering Information

G PEC109 - XX XX A 04 - X

No. of Pins 02-33

Contact Plating  
01=TiN  
02=Gold Flash  
Duplex plating  
05=Gold Flash /TiN

Options  
P=cap  
T=tape reel  
PT=cap+tape reel

格菱股份有限公司  
Greenconn Corporation

REV. A	UNIT. mm	SCALE. 1:1	PAGE. 1/1	
GENERAL TOLERANCE				
X. ± 5°	X. ± 0.30	DESIGN: 丁敏	DATE: 2006.09.25	DWG. NO. G PEC109-A04
X. ± 2°	X. ± 0.20	CHECKED:	DATE:	PART NO. G PEC109-XX XX A 04 - X
.XX ± 1°	.XX ± 0.15	AUDITED:	DATE:	TITLE: 1.27 PIN HEADER
.XXX ± 0.5°	.XXX ± 0.10	APPROVED:	DATE:	SINGLE ROW SMT TYPE
				BASE 1.50H