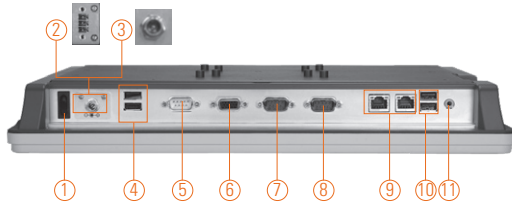


GOT5152T-832

15" XGA TFT Fanless Touch Panel Computer with Intel® Atom™ Processor D2550

NEW



- | | |
|----------------------------------------------------------------------------|---------------------------|
| 1. Power switch (ATX) | 6. VGA |
| 2. Terminal block for DC power input or 3. Screw conn. w/ AC power adapter | 7. COM 1 (RS-232/422/485) |
| 4. USB 2.0 x 2 | 8. COM 2 (RS-232) |
| 5. COM 3 (RS-232) | 9. Ethernet x 2 |
| | 10. USB 2.0 x 2 |
| | 11. Audio (Line-out) |



Fanless Low Power DualView DDR3 AIRD

Introduction

The GOT5152T-832 is a 15" Intel® Atom™-based fanless touch panel computer. In response to market demand, this panel computer is a cost effective solution. It adopts a modern, super sleek and fanless design and is equipped with a 15" TFT LCD as well as Intel® Atom™ processor D2550 1.86 GHz. For wireless network connection, the GOT5152T-832 offers a mini card slot. By just plugging in the mini card WLAN card, customers can have instant access to wireless LAN/GPRS/GSM/3G environments. Besides, it provides two types of power input. One is DC power input (10~30VDC) with terminal block connector. The other is AC power adapter with screw type connector.

Super slim & ultra light design

The GOT5152T-832 is a super slim touch panel computer for space-limited environment with its thickness of 54.6mm and weight of 3.2 kg only, which make it installed everywhere.

Built-in internal WLAN antenna

The GOT5152T-832 provides a PCIe Mini Card slot and a built-in WLAN antenna for wireless network connections. By simply plugging in the wireless LAN card, customers can use the GOT5152T-832 in a wireless LAN/GPRS/ GSM/3G environments.

Excellent thermal solution: aluminum back chassis

With Axiomtek's patent for plastic plus aluminum mechanism design, the GOT5152T-832 can dissipate the heat easily and keep the system operation stable.

Features

- 15" XGA (1024 x 768) color TFT LCD display with LED backlight
- Fanless cooling system with Intel® Atom™ processor D2550 1.86 GHz
- Ultra slim design: thickness 54.6mm
- Super light weight: 3.2 kg
- Easy for expansion: PCIe Mini Card slot
- Supports panel mount and optional wall mount/VESA arm mount/desktop stand (optional)
- Supports RFID (optional)
- Over-current protection fuse



▲ Side view



▲ CompactFlash™ slot with protective cover

Specifications

Front Bezel	IP65, NEMA 4 rugged protection, plastic front bezel	
LCD Panel	Display Type	15" XGA TFT LCD with LED backlight
	Brightness (cd/m ²)	400 nits
	Resolution	1024 x 768
	Viewing Angel (H/V)	160°/140°
Main System	CPU	Intel® Atom™ processor D2550 1.86 GHz
	Chipset	Intel® NM10
	System Memory	1 x 204-pin DDR3 SO-DIMM max. up to 4 GB
	BIOS	AMI UEFI BIOS
	Storage	1 x 2.5" SATA HDD 1 x CompactFlash™
	Watchdog Timer	255 levels, 0~255 sec.
	Onboard Graphics	Integrated in Intel® GFX

Specifications

I/O Connector	2 x RS-232 (COM 2/3) 1 x RS-232/422/485 (COM 1) 1 x VGA 1 x Audio (Line-out) 4 x USB 2.0 2 x 10/100/1000Mbps Ethernet
Expansion Interface	1 x PCIe Mini Card slot
Touchscreen	Resistive type
Power Input	1. DC version: 10-30VDC with fuse over-current protection fuse 2. AC version: 100-240V AC-DC 60W power adapter
Dimensions	387.9 mm (15.27") (W) x 54.6 mm (2.14") (D) x 307.7 mm (12.11") (H)
Packing Dimensions	510 mm (20.08") (W) x 105 mm (4.13") (D) x 385 mm (15.16") (H)
Weight (net/gross)	3.2 kg (7.05 lb)/5.1 kg (11.24 lb)
Environment	Operating temperature: 0° ~ +50°C (32°F ~ 122°F) (with W.T. DRAM/HDD in airflow condition) 0° ~ +45°C (32°F ~ 113°F) (with W.T. DRAM/HDD) Storage Temperature: -30°C ~ +80°C (-22°F ~ +176°F) Relative humidity: 10% ~ 95% @ 40°C; non-condensing Operation vibration: 2G, 5 ~ 500Hz, random for CompactFlash™
Certification	CE-EMC class A (GOT5152T-832) CE-EMC class B (GOT5152T-832-J)

* Specification and certifications are based on options and may vary.

** W.T.: Wide Temperature. All W.T. supported products have to be sorted by Axiomtek.

Ordering Information

GOT5152T-832	15" XGA Intel® Atom™ D2550 fanless touch panel computer with terminal block connector
GOT5152T-832-J	15" XGA Intel® Atom™ D2550 fanless touch panel computer with screw type connector & AC-DC 60W power adapter
E225840102	Desktop stand
Wireless kit	802.11 b/g wireless LAN kit

* Specification and certifications are based on options and may vary.

Optional EOS Installation

Windows® 7 Embedded (32-bit)

Optional OS Installation

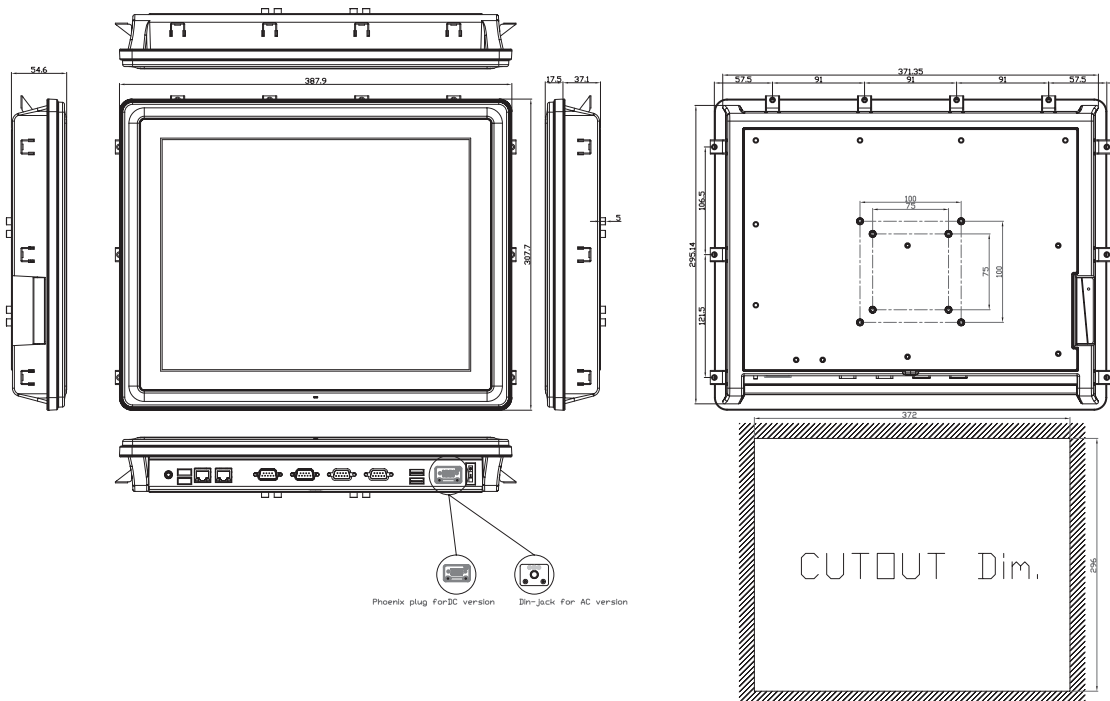
Windows® 7 (32-bit)



▲ Desktop stand

▲ AC power adapter (GOT-5152T-832-J)

Dimensions



Phoenix plug For DC version Dim-Jack For AC version