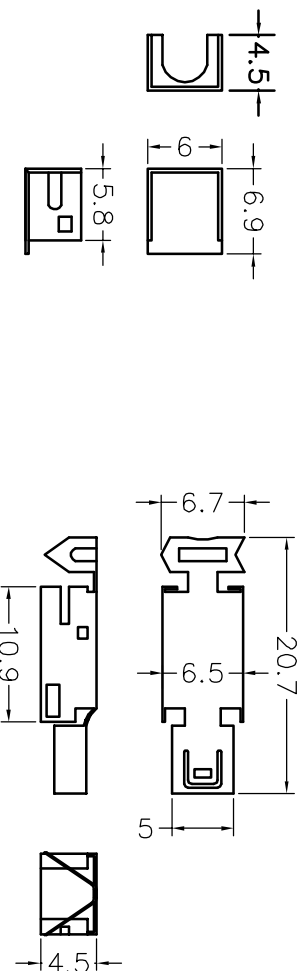


Specifications:

Contact Resistance: 10mΩ max.at dc 100 mA  
 Insulator Resistance: 500MΩ min.at DC 500V  
 Current Rating: 1AMP

Dielectric Withstanding  
 Voltage: AC 500V For 1 minute  
 Contact: Brass  
 Housing: PBT & 30% Glass Fiber (UL 94V-0)



设计/Designed by	绘图/Drawng by	审核/Checked by	批准/Approved by	未注公差 General Tolerance	
				x. ±0.2	x' ±2'
				.x ±0.1	.x' ±1'
				.xx ±0.05	.xx' ±0.5'
				.xxx ±0.01	
172 产品图				单位/Units: mm	
备注/Remark					

