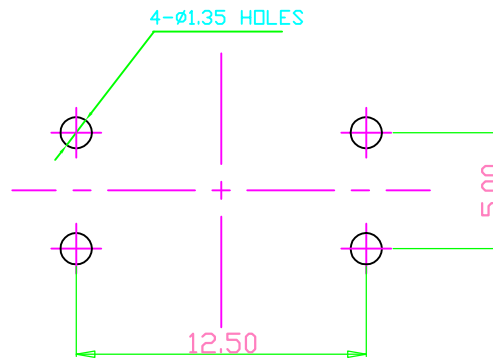
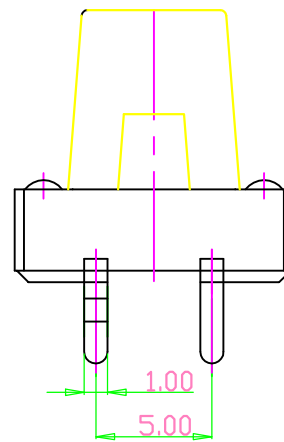
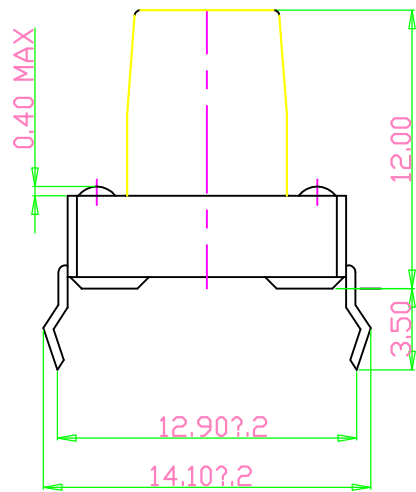
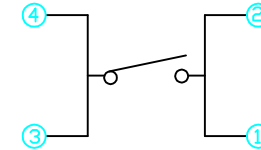


PCB DIMENSION



CIRCUIT DIAGRAM



NOTE

1. RATING : DC 12V 50mA
2. OPERATING FORCE : 250±50gf
3. TRAVEL : $0.25^{+0.2}_{-0.1}$ m/m
4. CONTACT RESISTANCE : 100 Ω MAX
5. MANUFACTURING SPECIFICATION WOULD BE ACCORDANCE WITH HT0102

PART NO	PART NAME	Q'TY	MATERIAL	STANDARD	DISPOSITION
△	TRIGON-OMETRY	UNIT	SCALE	TACT SWITCHES	
△		3	1		
△	APPD	CHKD	DSGD	MODEL	
△		yangwoon park			
△				INT-1103BF12B	
NO	CORRECTION				