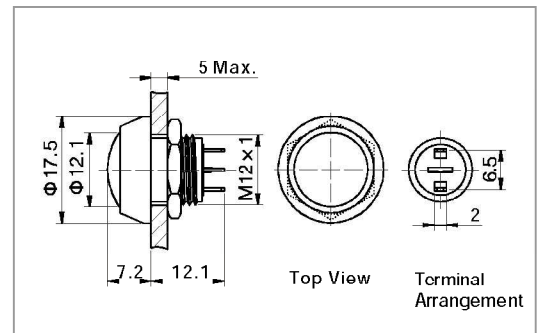


Anti-vandal push button



GQ12B-10/J/⊙

- ⊙  $\Phi$  12mm Diameter
- ⊙ Switch Rating: 2A/36VDC
- ⊙ Contact Configuration: 1NO
- ⊙ Operation Type: Momentary
- ⊙ The Crust Material: Stainless Steel/  
Nickel Plated Brass
- ⊙ IP Degree:IP65,IK08



Specification		GQ12B-10/J/⊙	
Terminal Type		Pin Terminal(2 × 0.5mm)	
Switching		X(double-break slow-motion contact)	
Max. Switch Rating		2A/36VDC	
Contact Resistance		≤ 50mΩ	
Insulation Resistance		≥ 1000MΩ	
Dielectric Intensity		2000VAC	
Operating Temp		-20°C ~ +55°C	
Mechanical Life		1,000,000 cycles	
Electrical Life		200,000 cycles	
Panel Thickness		1 ~ 5mm	
Torque		5 ~ 14Nm	
Operation Pressure		About 5N	
Operation Travel		About 2.5 mm	
IP Degree		IP65,IK08	
Material	Contact	Sliver Alloy	
	Button	Stainless Steel/Nickel Plated Brass	
	Body	Stainless Steel/Nickel Plated Brass	
	Base	PBT	
	RoHS	Made to order	
Head Color	—	—	