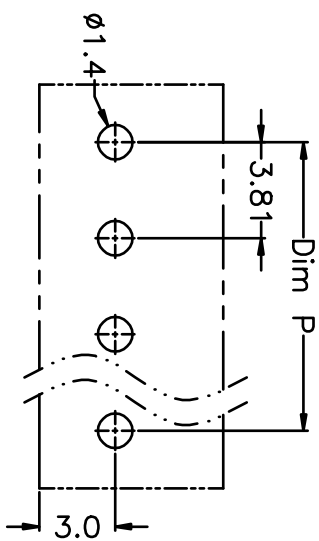
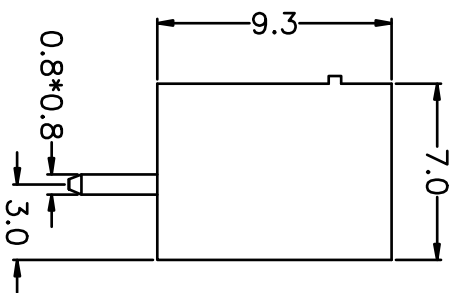
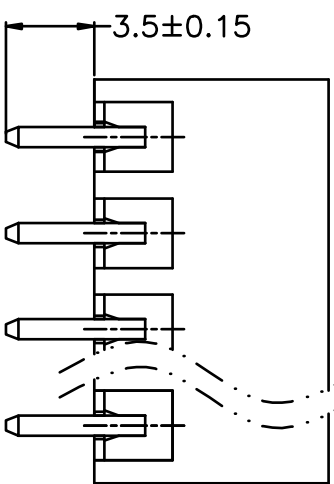
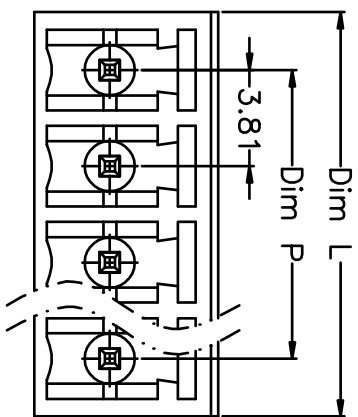


REV.	DESCRIPTION	DATE	DRAWN	APPROVED
A1	DWG.REL	2016/10/7	FANG	YANG



N=Number of Poles  
 Dim P=(N-1)x3.81  
 Dim L=Nx3.81+0.8

Poles	Dim P	Dim L
2-6P	±0.10	±0.15
7-12P	±0.20	±0.20
13-18P	±0.25	±0.30
19-24P	±0.30	±0.40

GENERAL TOLERANCE ANGLE TOLERANCE

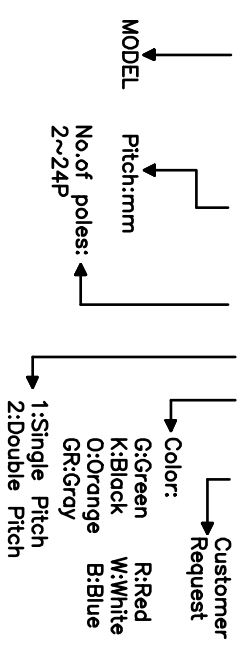
X.	±0.5	X.	±5'
.X	±0.3	.X'	±3'
.XX	±0.1	.XX'	±1'

DRAWING TYPE	CUSTOMER	SHEET	1 OF 1
SCALE	1:1	SHEET	1 OF 1
DRAWING NO.	XP0012016-xxxx		

- Material  
 ①Housing : PA66, UL94V-0  
 ②Pin header : Brass, Tin plated
- Electrical  
 UL IEC  
 Rated voltage : 300V 250V  
 Rated current : 8A 7A  
 Insulation resistance: 500MΩ/DC500V  
 Withstanding Voltage : AC1500V/1min
- Mechanical  
 Operating temperature: -40℃~+105℃  
 Soldering temperature: 250℃±5/5sec

HOW TO ORDER

KF2EDGV-Y-3.81-XXP-1 X-XXXXX



PROJECTION	TITLE
UNITS mm	KF2EDGV-Y-3.81-XXP
SHEET SIZE A4	SERIES KF2EDGV-Y

**凯峰** 慈溪市凯峰电子有限公司  
 CIXI KAIFENG ELECTRONIC CO.,LTD