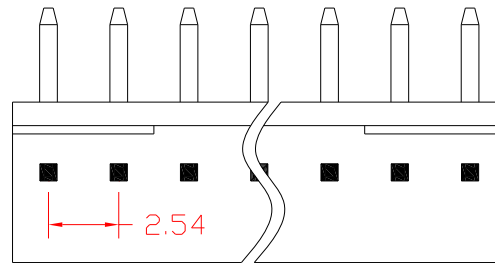
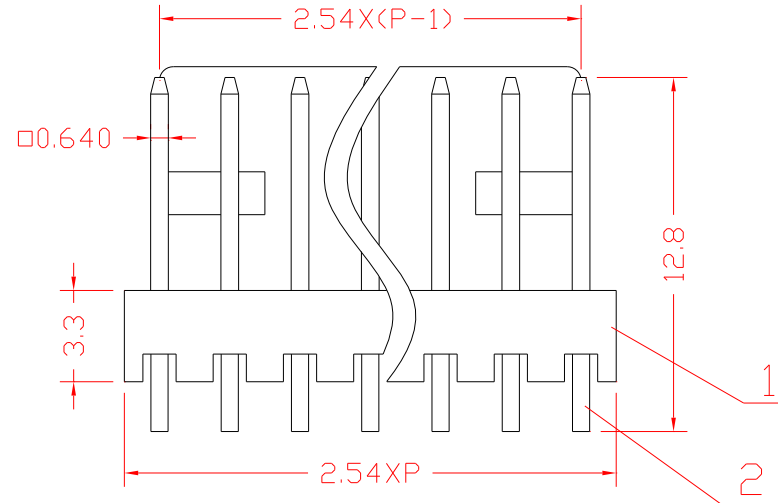
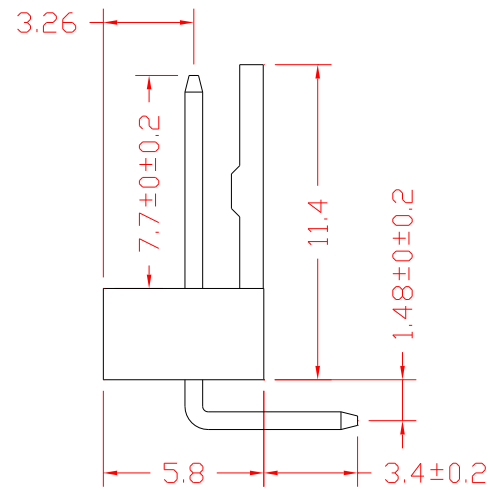


序号/RevNo.	名称/Title	文件编号/File No.
1	137M塑料件	
2	137M端子(弯)	



## MATERIAL & FINISH

Insulator Material: Nylon 66(UL 94V-0)

Contact Material: Brass

Contact Plated: Tin plated

Number of contacts: 2 Thru 13

要求:

1. 塑料件无裂痕。
2. 整排针成一直线，相邻针之间相互平行。

设计/Designed by	绘图/Drawing by	审核/Checked by	批准/Approved by	未注公差 General Tolerance	
				x. ±0.2	x.' ±2°
				.x ±0.1	.x' ±1°
				.xx ±0.05	.xx' ±0.5°
				.xxx ±0.01	
				图名/Title	
				137M弯针产品图	
				文件编号/File No.	
				页序/Sheet	
备注/Remark				单位/Units: mm	

序号/RevNo.	更改记录/Revision note	签名/Signature	日期/Date
-----------	--------------------	--------------	---------