

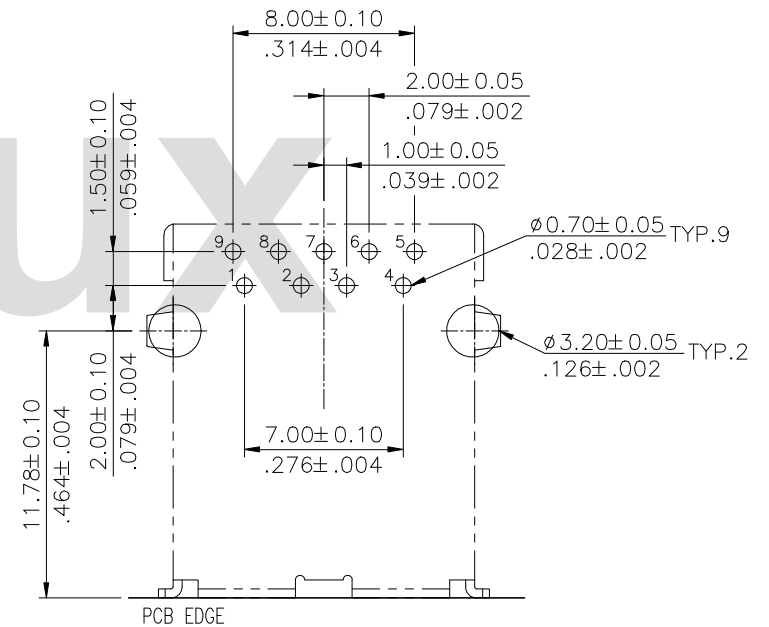
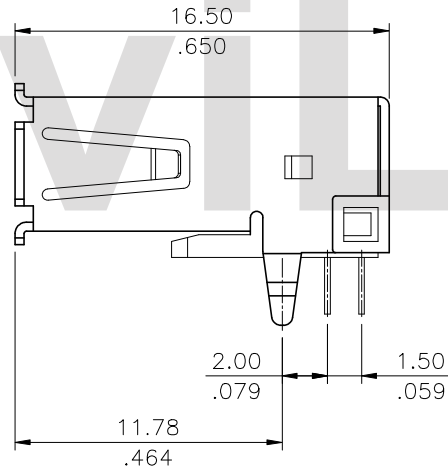
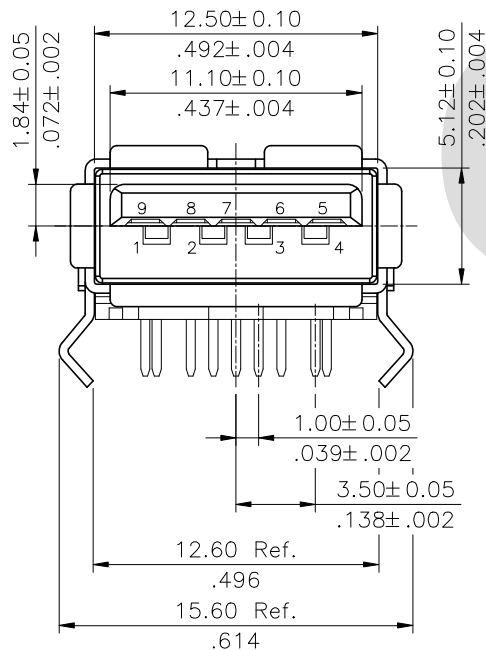
Materials :

Insulator: PBT UL 94V-0
 Front Contacts: Phosphor Bronze
 Rear Contacts: Brass
 Shell: Brass
 Shell Plating: 80~120μ" Nickel Plated

Ordering Code:

CU12 S C H 7 S A0
 ① ② ③ ④ ⑤ ⑥ ⑦

- ① Series No.
- ② S= Socket
- ③ Plating option:
C= Selective 0.76um(30u") Gold plated
over 1.27um(50μ") Nickel
- ④ H= Right angle
- ⑤ Insulator Color: 7= Blue
- ⑥ S= Single port
- ⑦ Option: A0= Standard



Recommended P.C. Board Layout

RoHS Compliant

④					DATE	UNIT: mm / inch	TITLE: U.S.B 3.0 RIGHT ANGLE BOARD MOUNT SOCKET	瀚荃股份有限公司 CviLux Corporation		
③				DRAWN BY: Karen	10/01-10'	TOLERANCE UNLESS OTHERWISE SPECIFIED	MATERIAL:			
②				ENGINEER: Eisley	10/01-10'	.X ± 0.30/.012 X' ± 1"	FINISH:	SCALE 3 / 1	SHEET 1 OF 1	
①				CHECKED BY: David	10/01-10'	.XX ± 0.20/.008 .X' ±				
SYM	NAME	DATE	REVISIONS	APPROVED BY: David	10/01-10'	.XXX ± 0.10±.004 .XX' ±				

2010.10.01
 ISSUED