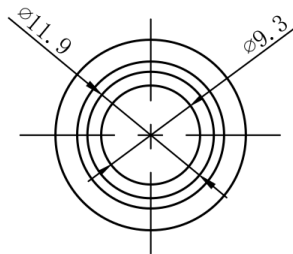
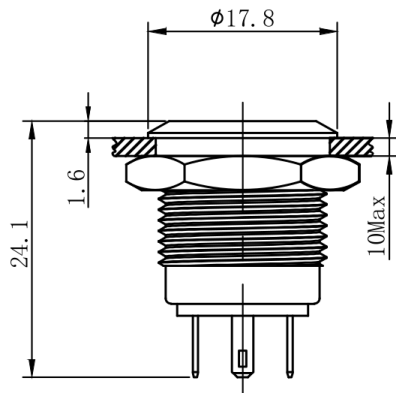
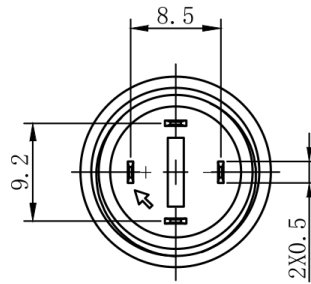
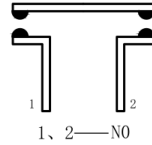


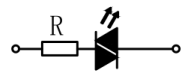
UNIT: mm



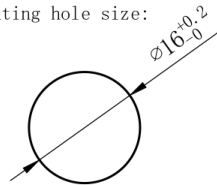
开关结构说明:
Switch structure description:



灯珠等效电路:
Lamp bead equivalent circuit:



安装孔尺寸:
Mounting hole size:



性能要求:

Performance requirements:

- 防护等级: IP65;
Protection grade: IP65.
- 接触电阻: $\leq 50m\Omega$;
Contact resistance: $\leq 50m\Omega$.
- 绝缘电阻: $\geq 100M\Omega$;
The insulation resistance: $\geq 100M\Omega$.
- 抗电强度: AC2500V, 1min, 无闪烁、击穿;
Electrical resistance: AC2500V, 1min, no flicker and breakdown;
- 寿命: 电气部分在额定负载下动作5万次无异常。
Life: electrical part: operate 50,000 times under rated load without any abnormality.
机械部分: 动作100万次无异常;
Mechanical part: no abnormal movement for 1000,000times.

技术要求:

Technical requirements:

- 表面光洁, 平整无毛刺;
The surface is smooth and smooth without burr;
- 参数/批次字迹清晰, 无错位;
Clear handwriting of parameters/batches without any dislocation;
- 额定电压: $I_{th}: 3A$ $U_i: 250V$;
Rated voltage: $3A$ $U_i: 250V$;
- 工作环境温度: $-25^\circ C \sim +65^\circ C$;
Working environment temperature: $-25^\circ C \sim +65^\circ C$;
- 动作形式: 自复式;
Action form: self-compound ;
- 动作行程: 约1.6mm;
Movement stroke: about 1.6mm
- 连接形式: 配套接插件/焊接导线;
Connection form: supporting connector/welding wire;
- 拧紧力矩: $5 \sim 14Nm$;
Tightening torque: $5 \sim 14nm$;
- 开关组合: 1NO;
Switch combination: 1NO;
- 外观材料: 按键: PC/不锈钢;
外壳: 不锈钢;
底座: PBT;
触点: 银合金;
Appearance material: Button surface: PC/stainless steel;
Case: stainless steel;
Pedestal: PBT;
Contact silver alloy
- 未标注公差按照GB/T 1804-m级。
Unmarked tolerance shall be in accordance with GB/T 1804-f class.
- 灯珠参数: 额定电压: $3V/6V/12V$;
额定电流: $\leq 20mA$;
Lamp bead parameters: rated voltage : $3V/6V/12V$;
Rated current: $\leq 20mA$
- 灯珠颜色: 红/绿/黄/橙/蓝/白;
Color: red/green/yellow/orange/blue/white
- 灯珠寿命: 50000小时。
Led life: 50000 hours.

					TITLE :	
					M16 Metal waterproof push button switch	
DR.	APPD.	SCALE.	countersign.	Date.		
		1.5:1		2019. 11. 18		