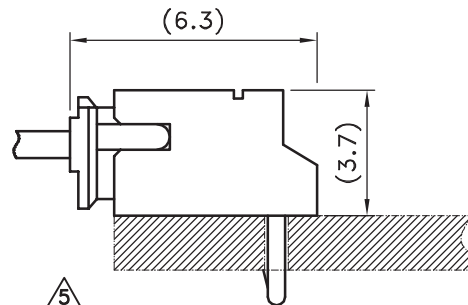
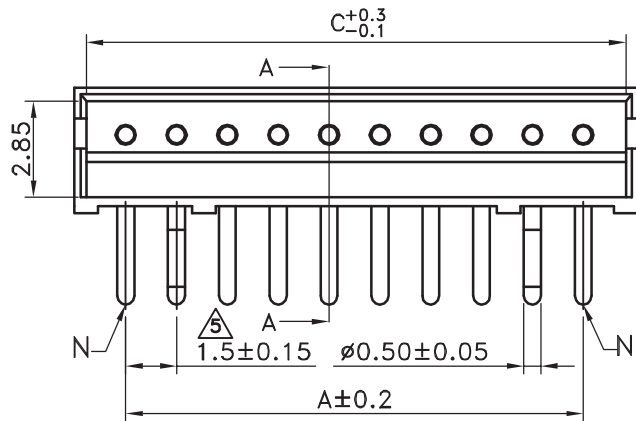
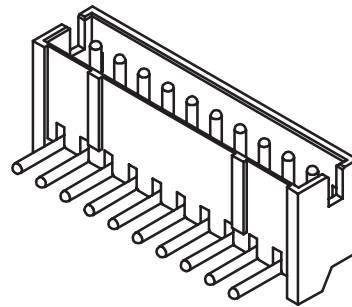
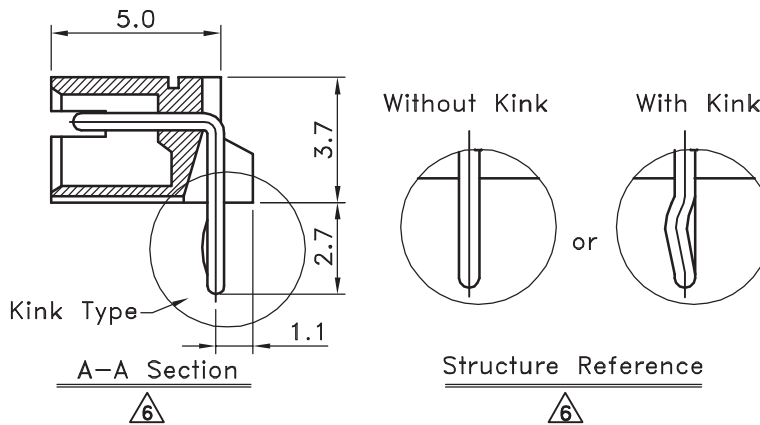


Recommended PCB Layout (Top View)



RECOMMENDED ASSEMBLY DIM.



- SPECIFICATIONS
 - Voltage Rating : 50V AC/DC
 - Current Rating : 1A AC/DC
 - Withstanding Voltage : 500V AC/minute
 - Insulation Resistance : 500M Ω min
 - Temperature Range : - 25°C to + 85°C
 - Contact Resistance : 20m Ω max
- WAFER
 - Part No. : JS-1174R-XX(XXX X XX)

Code No.

- ① Poles : 2~13(Right Angle)
- ② Base Material :
 - PAN : PA46 UL94V0 Color : Nature
 - NH : Nylon 66 UL94V-0 (Non - Halogen) Color : Beige
- △ ③ Contact Plated:
 - Blank : Tin Plated
 - M : Tin Plated(Matte Sn)
- △ ④ Kink Type:
 - Blank : Kink (Standard)
 - NK : Without Kink
- Material : Contact : Brass, Plated : Refer the above options
- Base : Refer the above options
- Packing : Bag

Poles	Dimensions(mm)		
	A	B	C
2	1.50	4.50	3.60
3	3.00	6.00	5.10
4	4.50	7.50	6.60
5	6.00	9.00	8.10
6	7.50	10.50	9.60
7	9.00	12.00	11.10
8	10.50	13.50	12.60
9	12.00	15.00	14.10
10	13.50	16.50	15.60
11	15.00	18.00	17.10
12	16.50	19.50	18.60
13	18.00	21.00	20.10

Circuit	Kink					
	Circuit No.					
	1	2	3	4	5	6~13
2	KinK	KinK	—	—	—	—
3	KinK	—	KinK	—	—	—
4	KinK	—	—	KinK	—	—
5~13	N	KinK	—	—	KinK	N



喬訊電子工業股份有限公司
CHYAO SHIUNN
ELECTRONIC INDUSTRIAL LTD.

APPROVED BY	SCALE	UNIT	TOLERANCE	LTR	REVISION RECORD	NAME	DATE	LTR	REVISION RECORD	NAME	DATE
張育瑞		mm	.0 ±0.30	△	XXXXXXXXXXXXX	余秀麗	2005/05/15	△			
CHECKED BY	PROJ	VER NO.	.00 ±0.20	△	ECR 200506-005	龔志紅	2005/06/08	△			
黃科源	⊕	a7	.000 ±0.10	△	ECR 200803-008	黃科源	2008/03/07	△			
DRAWN BY	DATE	SIZE	ANGLE	△	ECR 200809-015	黃科源	2008/09/25	△			
周慈雲	2012/08/01	A4	0° ±1°	△	按原圖之尺寸及公差修改	陳泓璋	2010/08/10	△			
			0° ±	△	合併圖面,增加Kink, 鍍層選項	吳弘文	2012/07/18	△			
			SHEET	△	取消鍍金選項	周慈雲	2012/08/01	△			
									CUSTOMER		
											Conforms to The RoHS Instruction

PART NO JS-1174R-XX

1.50mm Crimp Style Connectors Wafer Right Angle Type