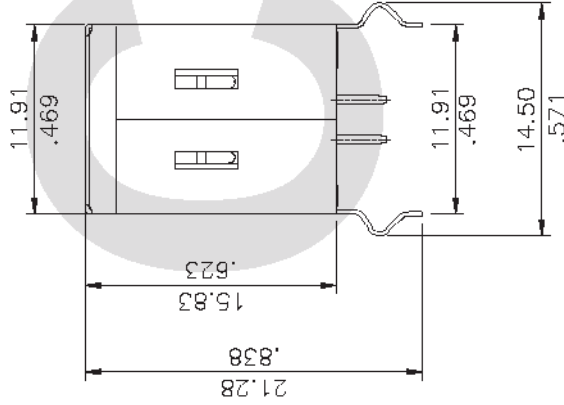
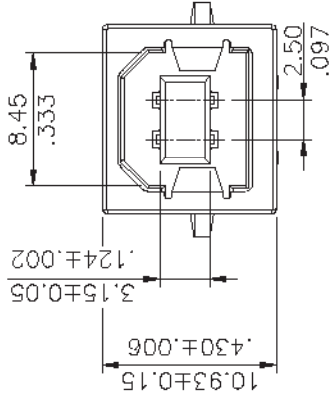


Materials :

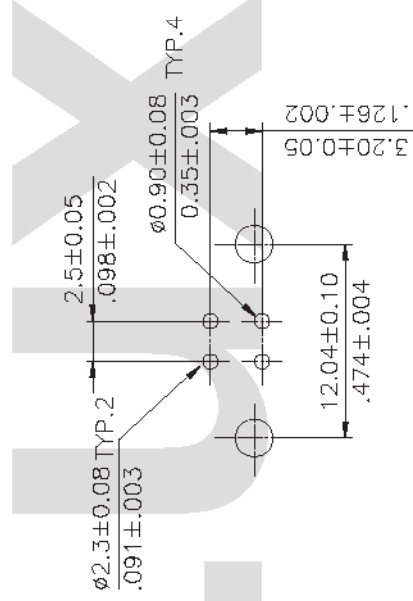
Insulator: PBT + 30% GF. UL 94V-0
 Contacts: Brass
 Shell: Brass
 Shell Plating: Nickel plated



Ordering Code:

CU02 S A V 1 000
 ① ② ③ ④ ⑤ ⑥

- ① Series No.
- ② S= Socket
- ③ Plating option:
 A= Selective Gold flash plated over 1.27µm(50µ") Nickel
 C= Selective 0.76µm(30µ") Gold plated over 1.27µm(50µ") Nickel
- ④ Type: V= Straight
- ⑤ Insulator Color: 1= Black, 0= White
- ⑥ Option: 000= Standard



Recommended P.C. Board Layout

RoHS Compliant

④									TITLE: USB TYPE-B STRAIGHT RECEPTACLE CONNECTOR	瀚荃股份有限公司 CvILux Corporation	DRAWING NO. CU0205SF PART NO. CU02S*V*000	SCALE 2 / 1 SHEET 1 OF 1
③	Sandy	Sandy	1/16-07'	UNIT: mm / inch	TOLERANCE UNLESS OTHERWISE SPECIFIED		MATERIAL:					
②	Jim	Eisley	1/17-07'	X ± 0.30/.012	X' ± 1"	FINISH:						
①	Sun	David	1/17-07'	XX ± 0.20/.008	XX' ±							
SYM	NAME	DATE	REVISIONS	APPROVED BY:	XX ± 0.10/.004	XX' ±						

CVILUX CORP.
 2007.01.23
 ISSUED