

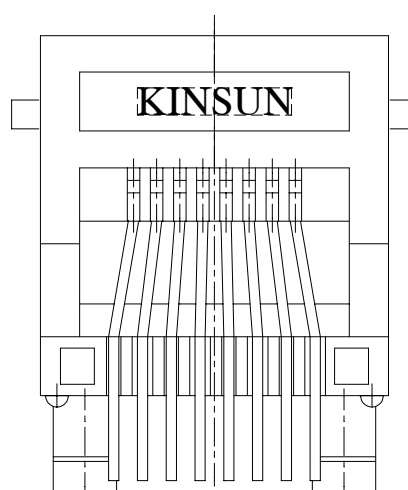
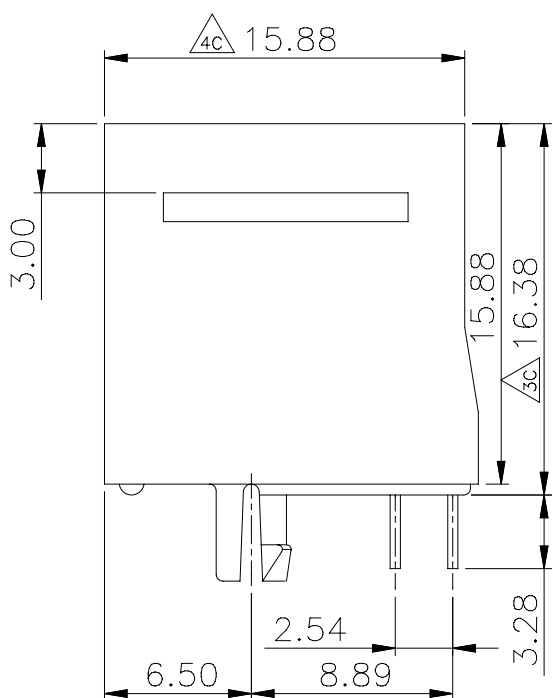
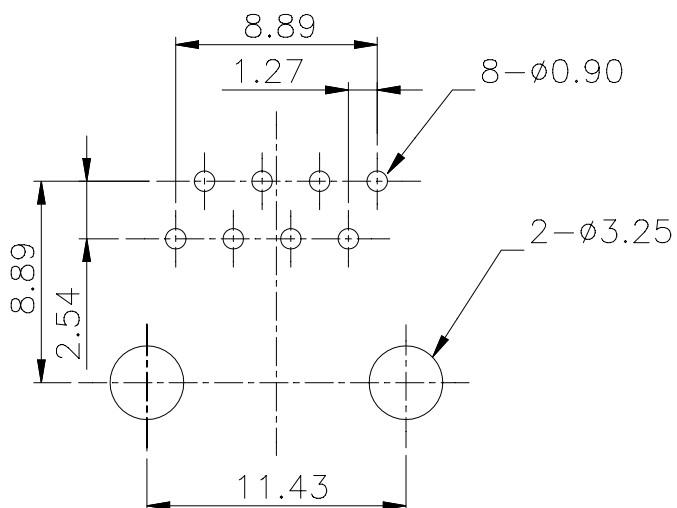
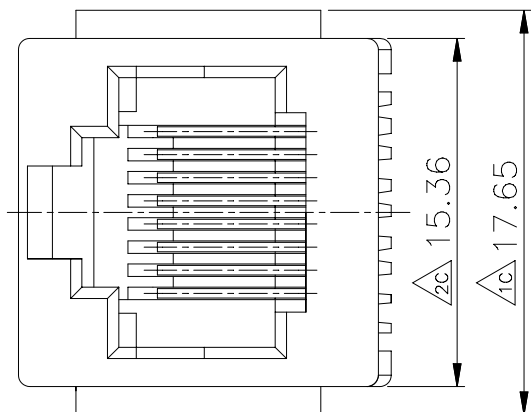
MATERIALS:

PLASTIC HOUSING: ENGINEERING THERMOPLASTIC
 FLAMMABILITY RATING UL 94V-0.

CONTACTS: 0.46MM DIAMETER PHOSPHOR BRONZE

PLATING: GOLD PLATING OVER NICKEL

PCB LAYOUT/TOP VIEW



- 3u" P/N 3002655500 30u" P/N 3002655800
- 6u" P/N 3002655600 50u" P/N 3002655900
- 15u" P/N 3002655700

※凡標註 △記號者, 為品管檢驗之尺寸

設計 DR. YANG 93-02-13	核准 APPD. Jerry 93-02-13	容許公差 TOLERANCE .XXX ±0.10 .XX ±0.25 .X ±0.38 X ±0.50 ANG ±3°	品名 ARTICLE Top Entry PCB Jack (8P8C)
版本說明 REVISION NOTE			圖號 DWG NO. 3002655500
			單位 UNIT mm 比例 SCALE 3/1 張數 SHEET 1/1 版本 REV. A