



## PRODUCT DATASHEET

### Leila series

last update 16/1/2013

## DETAILS

<b>Product Number</b>	FA10652_LC1-M
<b>Family</b>	Leila
<b>Type</b>	Assembly
<b>Color</b>	black
<b>Diameter</b>	21,6 mm
<b>Height</b>	16,5 mm
<b>Style</b>	round
<b>Optic Material</b>	PMMA
<b>Holder Material</b>	
<b>Fastening</b>	tape
<b>Status</b>	production ready
<b>ROHS Compliant</b>	Yes
<b>Date Updated</b>	16/01/2013



## OPTICAL PROPERTIES

LED	Viewing Angle	Light Beam	Efficiency	cd/lm	Connector
XR-E	28 deg	Medium	-	-	-

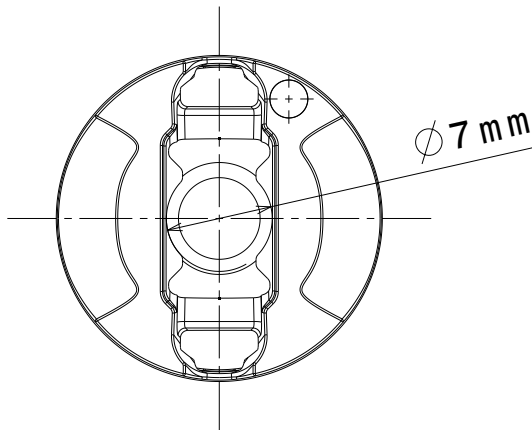
D

C

B

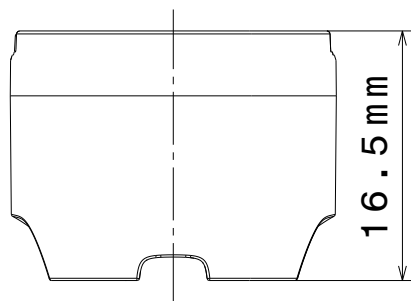
A

4



4

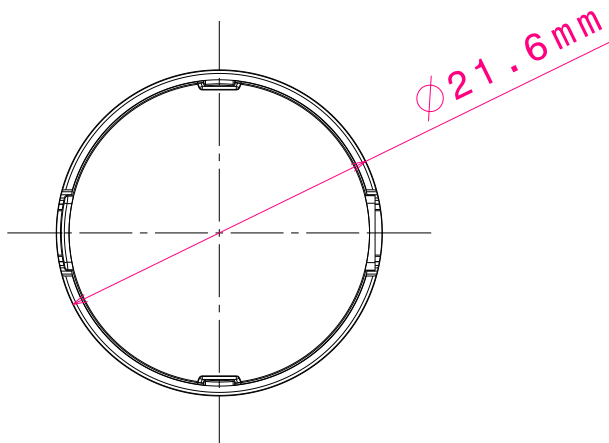
3



3

2

Materials:  
 Lens PMMA  
 Holder PC



2

This drawing is our property.  
 It can't be reproduced  
 or communicated without  
 our written agreement.



L  
T  
F  
F

e  
e  
i  
i  
N  
n

d  
h

DRAWING TITLE

Datasheet LC1-Series Assy

DRAWN BY

DATE

29.04.2009

CHECKED BY

DATE

29.04.2009

SIZE

A4

DRAWING NUMBER

REV

1

DESIGNED BY

HH

DATE

21.02.2008

SCALE

2:1

WEIGHT (g)

SHEET

1/1

D

A

1

1

**NOTE: The typical divergence will be changed by different color, chip size and chip position tolerance. The typical total divergence is the full angle measured where the luminous intensity is half of the peak value.**