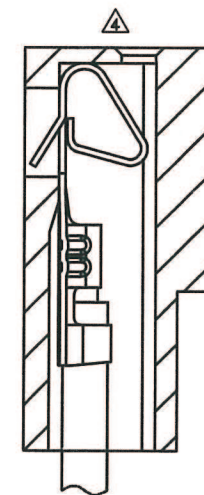
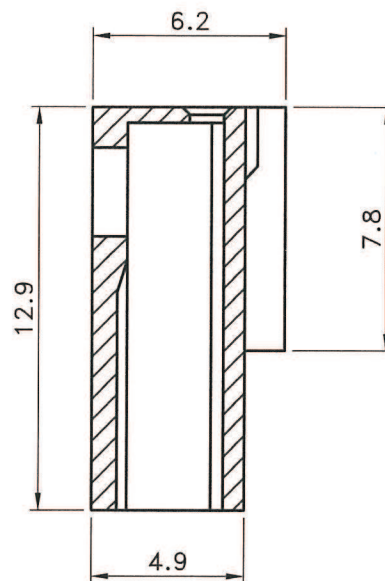
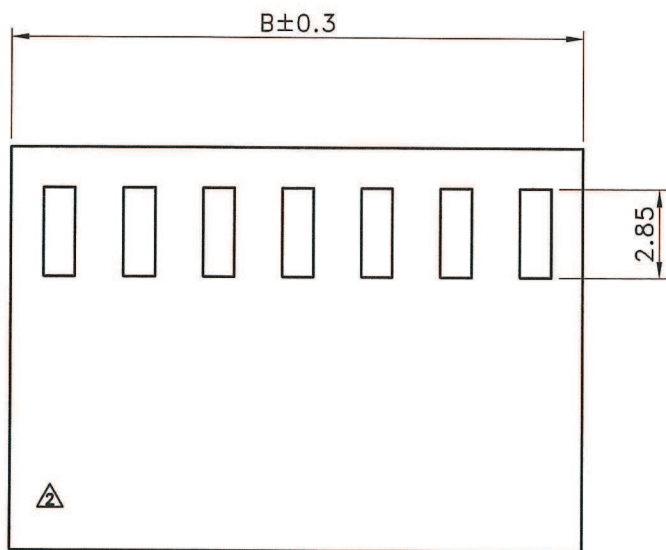


■ SPECIFICATIONS

- Current Rating : 3A AC/DC
- Withstanding Voltage : 1000V AC/minute
- Insulation Resistance : 1000M Ω min
- Temperature Range : - 25°C to + 85°C
- Contact Resistance : 20m Ω max


■ HOUSING

- Part No. : JS-8001-XX
- PolesN : 2-15
- Material : Nylon 66 UL94V-2
- Q' ty : 1000 pcs./Bag



Assemble View

Poles	Dimensions(mm)	
	A	B
2	2.54	5.60
3	5.08	8.14
4	7.62	10.68
5	10.16	13.22
6	12.70	15.76
7	15.24	18.30
8	17.78	20.84
9	20.32	23.38
10	22.86	25.92
11	25.40	28.46
12	27.94	31.00
13	30.48	33.54
14	33.02	36.08
15	35.56	38.62


 喬訊電子工業股份有限公司
 CHYAO SHIUNN
 ELECTRONIC INDUSTRIAL LTD.
PART NO JS-8001-XX
 2.54mm Crimp Style Connectors Housing

APPROVED BY	SCALE	UNIT	TOLERANCE	LTR	REVISION RECORD	NAME	DATE	LTR	REVISION RECORD	NAME	DATE
張育瑞		mm	.0 ±0.30	△	變更原因遺失	余秀麗	05/05/15	△			
CHECKED BY	PROJ	VER NO.	.00 ±0.20	△	取消第一PIN標示	簡海平	06/09/20	△			
		α4	.000 ±0.10	△	增加First標示	黃科源	09/07/30	△			
		SIZE	ANGLE	△	增加剖面圖	林謙豪	12/02/07				
DRAWN BY	DATE	SIZE	0° ±1°	△					CUSTOMER		
林謙豪	2012/02/07	A4	.0° ±	△					Conforms to The RoHS Instruction		
		SHEET	1/1	△							