



# PRODUCT DATASHEET

## Tina2 series

last update 30/8/2012

### DETAILS

<b>Product Number</b>	CP12672_TINA2-M
<b>Family</b>	Tina2
<b>Type</b>	Assembly
<b>Color</b>	black
<b>Diameter</b>	16,1 mm
<b>Height</b>	9,65 mm
<b>Style</b>	round
<b>Optic Material</b>	PMMA
<b>Holder Material</b>	
<b>Fastening</b>	glue
<b>Status</b>	production ready
<b>ROHS Compliant</b>	Yes
<b>Date Updated</b>	30/08/2012



### OPTICAL PROPERTIES

LED	Viewing Angle	Light Beam	Efficiency	cd/lm	Connector
XB-D	29 deg	Medium	82 %	2.700	-

D

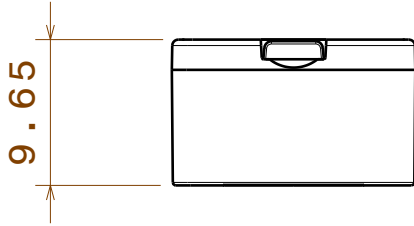
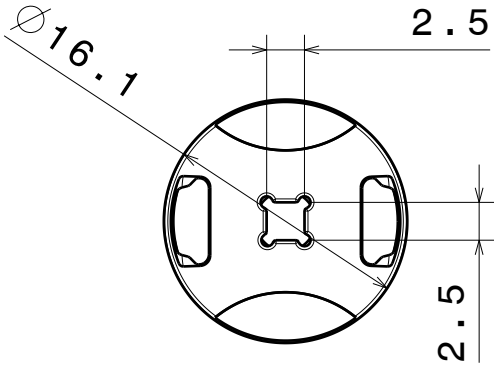
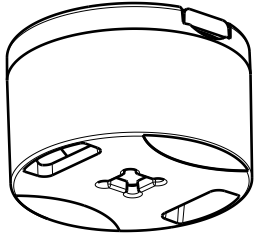
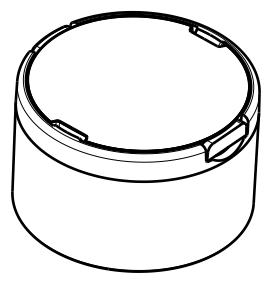
C

B

A

4

4



3

3

2

2

Materials:  
 lens PMMA  
 holder PC, black

Fastening to application:  
 Glue

Tolerances for dimensions:  
 0-20mm tolerance value +/-0.1mm

1

1

This drawing is our property.  
 It can't be reproduced  
 or communicated without  
 our written agreement.



Ledil Oy  
 Salorankatu 10  
 FIN 24240 SALO  
 Finland

**DRAWING TITLE**  
 Datasheet Tina2 XB assy

**DRAWN BY**  
pv  
**DATE**  
19.03.2012

**CHECKED BY**  
sn  
**DATE**  
19.03.2012

**DESIGNED BY**  
pv  
**DATE**  
12.03.2012

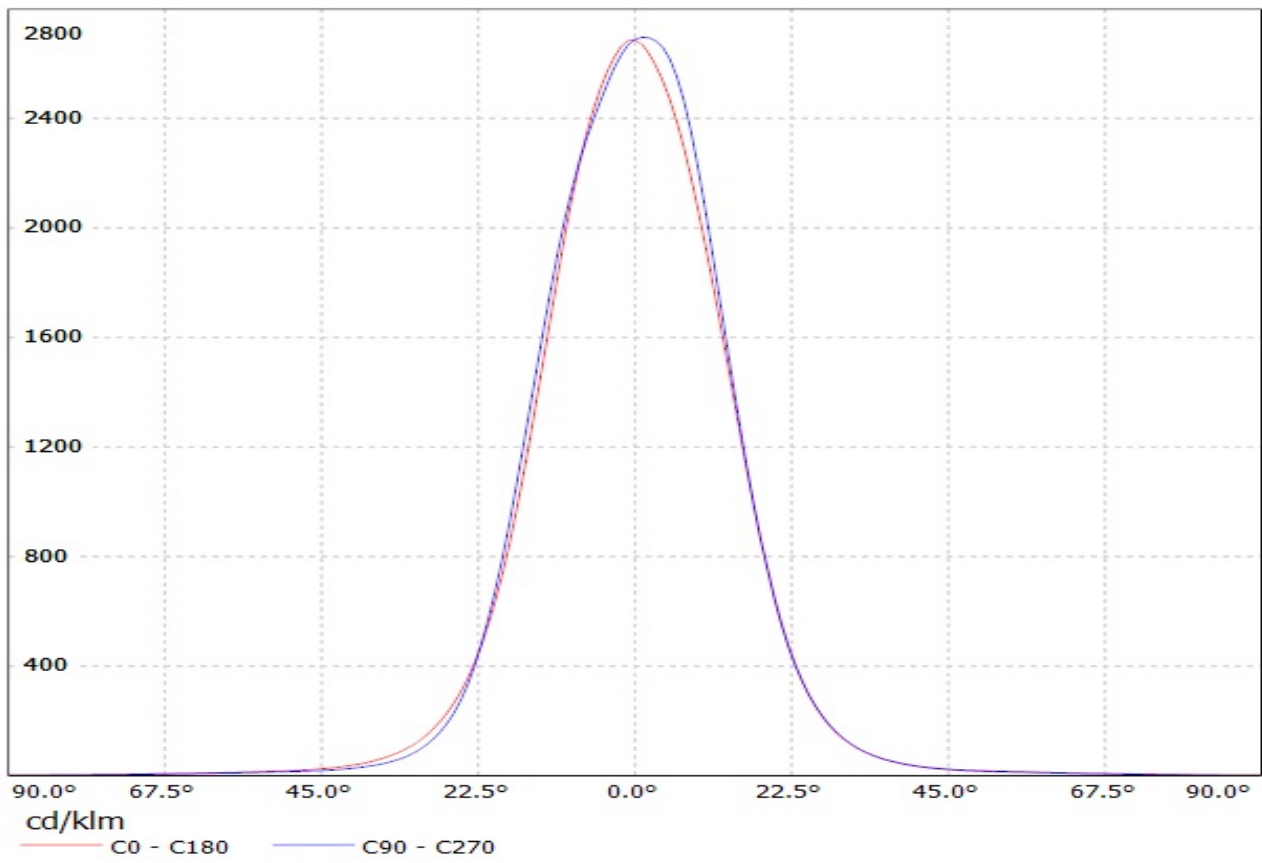
**SIZE** A4    **DRAWING NUMBER** -    **REV** 1

**SCALE** 2:1    **WEIGHT (g)**    **SHEET** 1/1

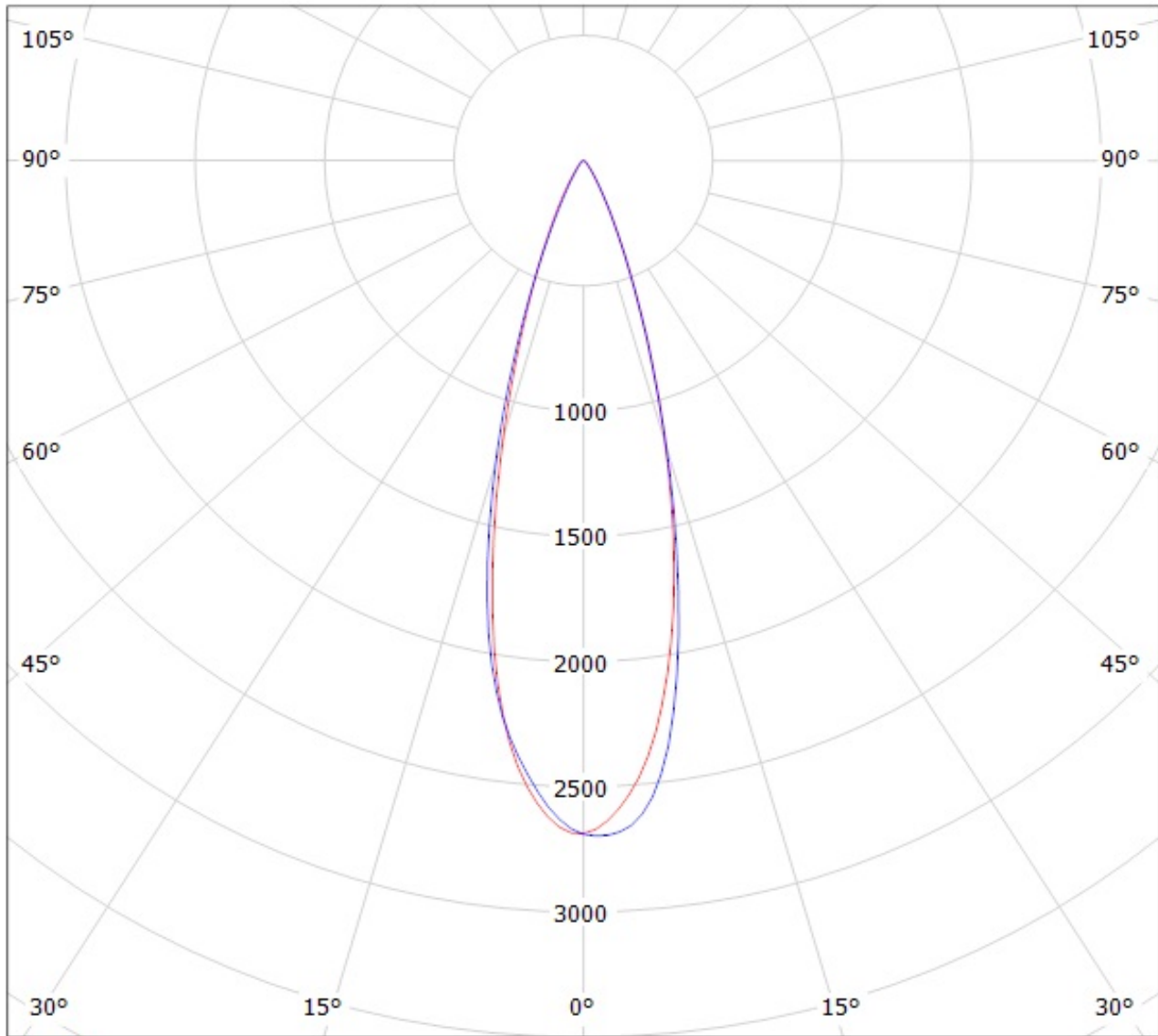
D

A

Luminaire: LEDIL OY CP12672\_TINA2-M (XB-D) Efficiency=82%  
Lamps: 1 x Cree XB-D white (97lm @ 250mA)



Luminaire: LEDIL OY CP12672\_TINA2-M (XB-D) Efficiency=82%  
Lamps: 1 x Cree XB-D white (97lm @ 250mA)



cd/klm

— C0 - C180

— C90 - C270

**NOTE: The typical divergence will be changed by different color, chip size and chip position tolerance. The typical total divergence is the full angle measured where the luminous intensity is half of the peak value.**