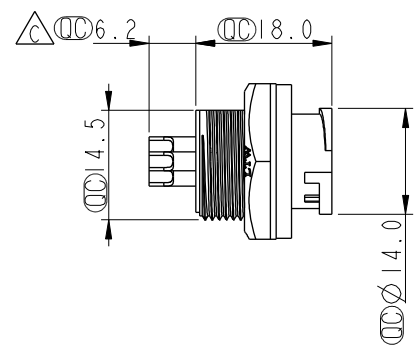
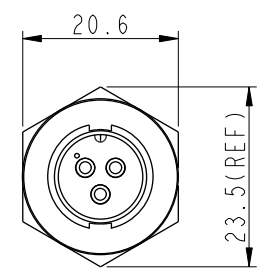
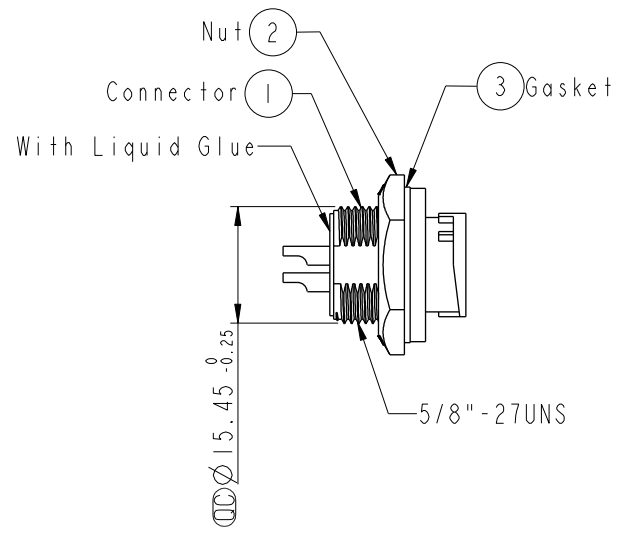
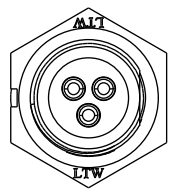


THIS DOCUMENT IS SUBJECT TO CHANGE WITHOUT NOTICE. IT IS CONFIDENTIAL AND A PROPERTY OF AMPHENOL LTW. DISCLOSURE TO THIRD PARTY HAS TO BE AUTHORIZED BY AMPHENOL LTW.

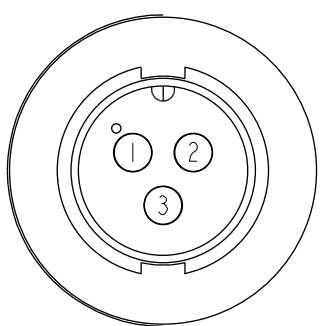
REV.	ECN NO.	DATE	SIGN	DESCRIPTION
B	LEN-8B0542	2008/09/22	Shin	Add Note and Update Drawing to New Format
C	LEN-010044	2010/01/07	Li Xiu Zhi	Change Dimension

ALTW
CONFIDENTIAL
 2012-03-08
R&D DEPT.

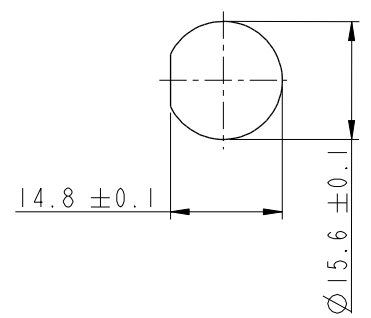
ALTW
DCC. DEPT.
CONFIDENTIAL
 2012-03-21
ISSUED



- Note:
- * \varnothing Important Dimension To Check.
 - * Waterproof Rate : IP67
 - * Housing: Nylon+GF, Black
 - * Male Pin: Copper Alloy, Gold Plated
 - * Nut: Nylon+GF, Black
 - * Gasket: EPDM, Black
 - $\triangle B$ * Use with waterproof cap or dust cap
Panel Thickness Max: 4.0mm
 - $\triangle A$ * Use without waterproof cap or dust cap
Panel Thickness Max: 5.0mm



Pin Assignments
Front View



Recommended Panel Cut-Out

UNIT:mm TOLERANCE .X ±0.25 .XX ±0.1 .XXX ±0.05 ANGLES ±1°	TITLE Standard, Rear Lock 3P M Conn M Pin			ITEM NO BB-03RMMS-LC7001		DRAWN BY SamChang		DATE 2012-03-08		
	SCALE 1:1		SIZE A4		SHEET 1 OF 1		CHECKED BY Jeffrey		DATE 2012-03-21	
	REV. C		WC-REV. A.2		\varnothing : Inspection item		APPROVED BY Kevin		DATE 2012-03-21	
Amphenol LTW 安費諾亮泰企業股份有限公司				CUSTOMER ALTW		DATE 2012-03-21		FMM10702-01-02A1		