

DETAILS

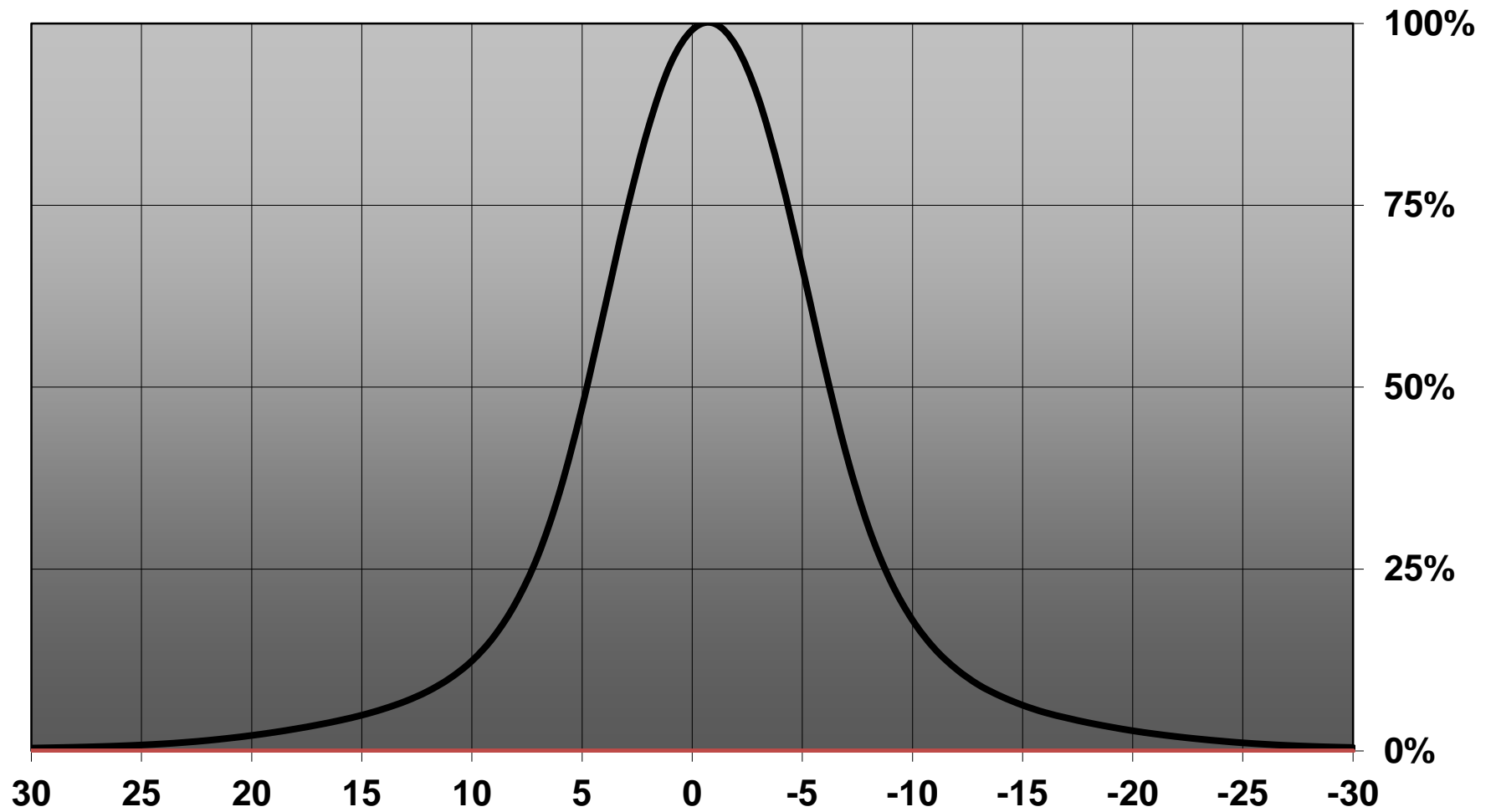
| | |
|------------------------|------------------|
| Product Number | CA11264_HEIDI-D |
| Family | Heidi |
| Type | Assembly |
| Color | clear |
| Diameter | 21,6 mm |
| Height | 11,7 mm |
| Style | round |
| Optic Material | PMMA |
| Holder Material | |
| Fastening | pin, tape |
| Status | production ready |
| ROHS Compliant | Yes |
| Date Updated | 8/06/2016 |



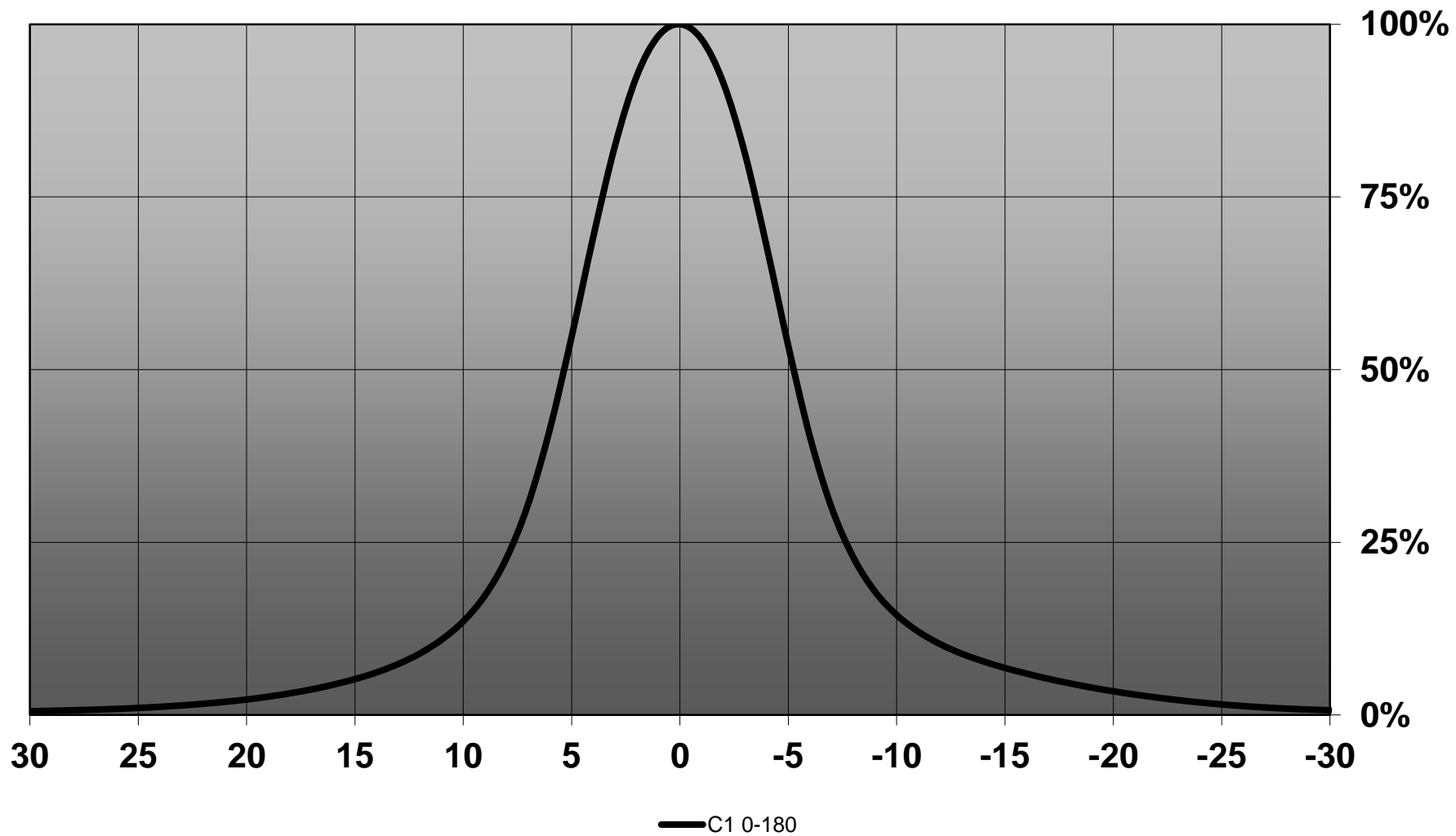
OPTICAL PROPERTIES

| LED | Viewing Angle | Light Beam | Efficiency | cd/lm | Connector |
|-------------------|---------------|------------|------------|--------------|-----------|
| XP-G | 12 deg | Diffuser | 93 % | 14.500 | - |
| XP-E | 9 deg | Diffuser | 93 % | 22.000 | - |
| XB-D | 10 deg | Diffuser | 90 % | 12.550 | - |
| XT-E | 10 deg | Diffuser | 90 % | 14.300 | - |
| XP-G2 | 11 deg | Diffuser | 88 % | 15.000 | - |
| XP-E2 | 10 deg | Diffuser | 88 % | 17.400 | - |
| XB-H | 11 deg | Diffuser | 87 % | 12.700 | - |
| XQ-E HI | 7 deg | Diffuser | 93 % | 24.800 | - |
| LUXEON T | 12 deg | Diffuser | 89 % | 11.500 | - |
| LUXEON TX | 12 deg | Diffuser | 88 % | 13.600 | - |
| LUXEON Z ES | sim: 7,7 | Diffuser | sim: 94 % | sim: 33.500- | |
| LUXEON C | 9 deg | Diffuser | 89 % | 17.800 | - |
| NCSxx19A | 9 deg | Diffuser | 88 % | 11.900 | - |
| NVSxx19A | 12 deg | Diffuser | 88 % | 8.900 | - |
| NVSxx19B/NVSxx19C | 14 deg | Diffuser | 91 % | 10.000 | - |
| NCSxx19B | 11 deg | Diffuser | 85 % | 14.200 | - |
| Oslon SSL 80 | 7 deg | Diffuser | 89 % | 19.300 | - |
| Oslon SSL 150 | 9 deg | Diffuser | 92 % | 15.000 | - |
| Oslon Square EC | 10 deg | Diffuser | 90 % | 12.900 | - |
| Oslon Square Gen3 | sim: 13 | Diffuser | sim: 94 % | sim: 13.300- | |
| LH351Z | 12 deg | Diffuser | 88 % | 13.300 | - |
| LH351B | 14 deg | Diffuser | 88 % | 10.000 | - |
| Z5 | 8 deg | Diffuser | 87 % | 22.300 | - |
| Z5M1/Z5M2 | sim: 10 | Diffuser | sim: 90 % | sim: 17.000- | |

Relative intensity of CA11264_HEIDI-D-(XPG2)



Relative intensity of CA11264_HEIDI-D_(XB-H)



D

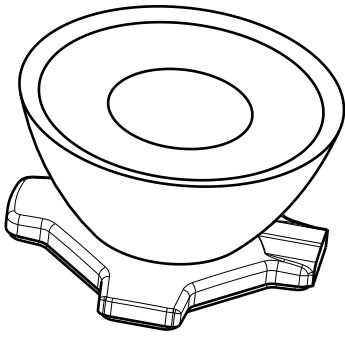
C

B

A

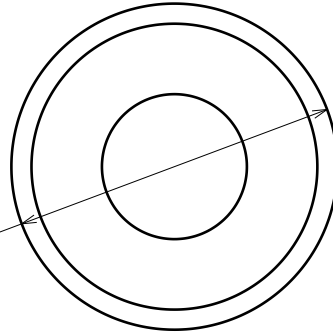
4

4



Isometric view

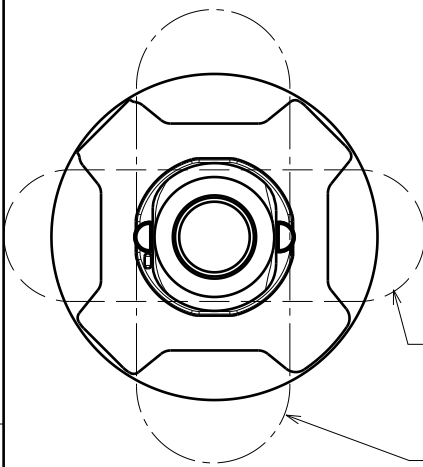
Ø 21.6



Top view

3

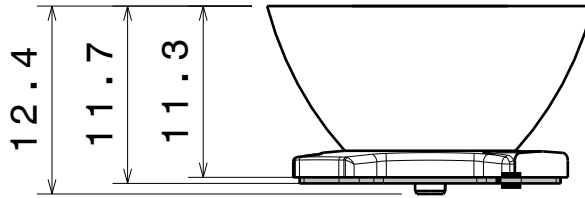
3



Bottom view
OVAL BEAM direction

Heidi-0

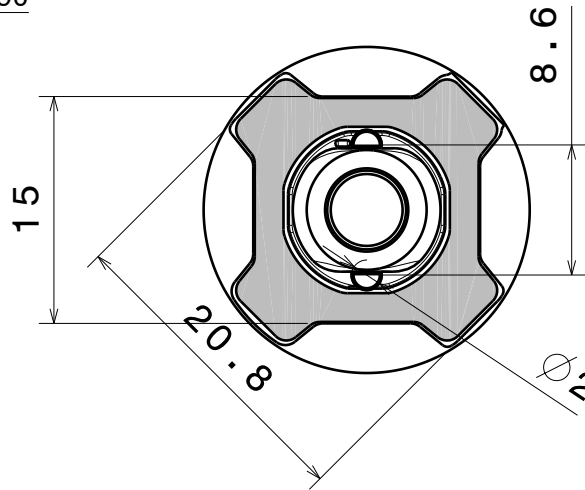
Heidi-0-90



Front view

2

2



Bottom view

Material:
Lens PMMA
Tape PU Foam

This drawing is our property.
It can't be reproduced
or communicated without
our written agreement.



Ledil Oy
Salorankatu 10
FIN-24100 SALO
Finland

DRAWING TITLE

Datasheet Heidi-Series Assy

DRAWN BY
ah

DATE
1.2.2012

CHECKED BY

DATE

SIZE
A4

DRAWING NUMBER

REV
2

DESIGNED BY

DATE

SCALE 2:1 WEIGHT (g)

SHEET 1/1

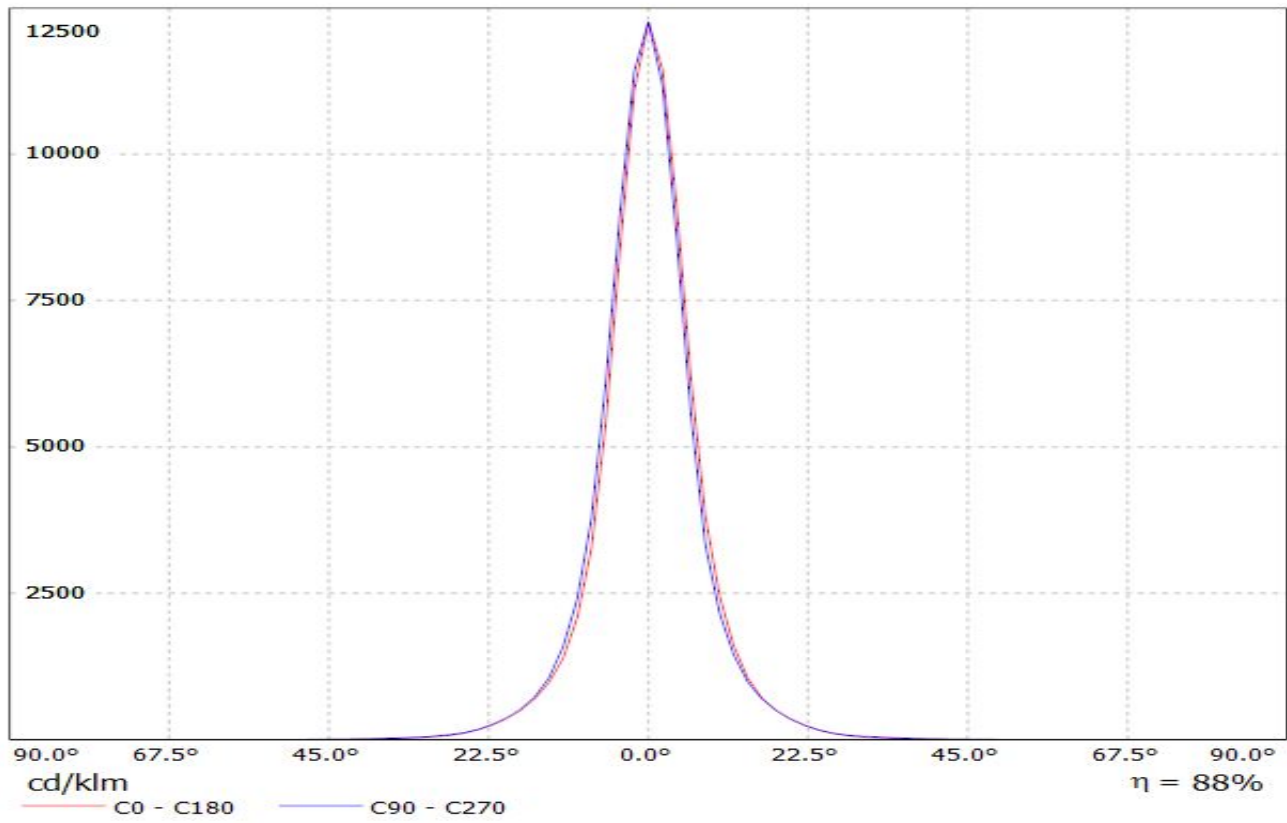
D

A

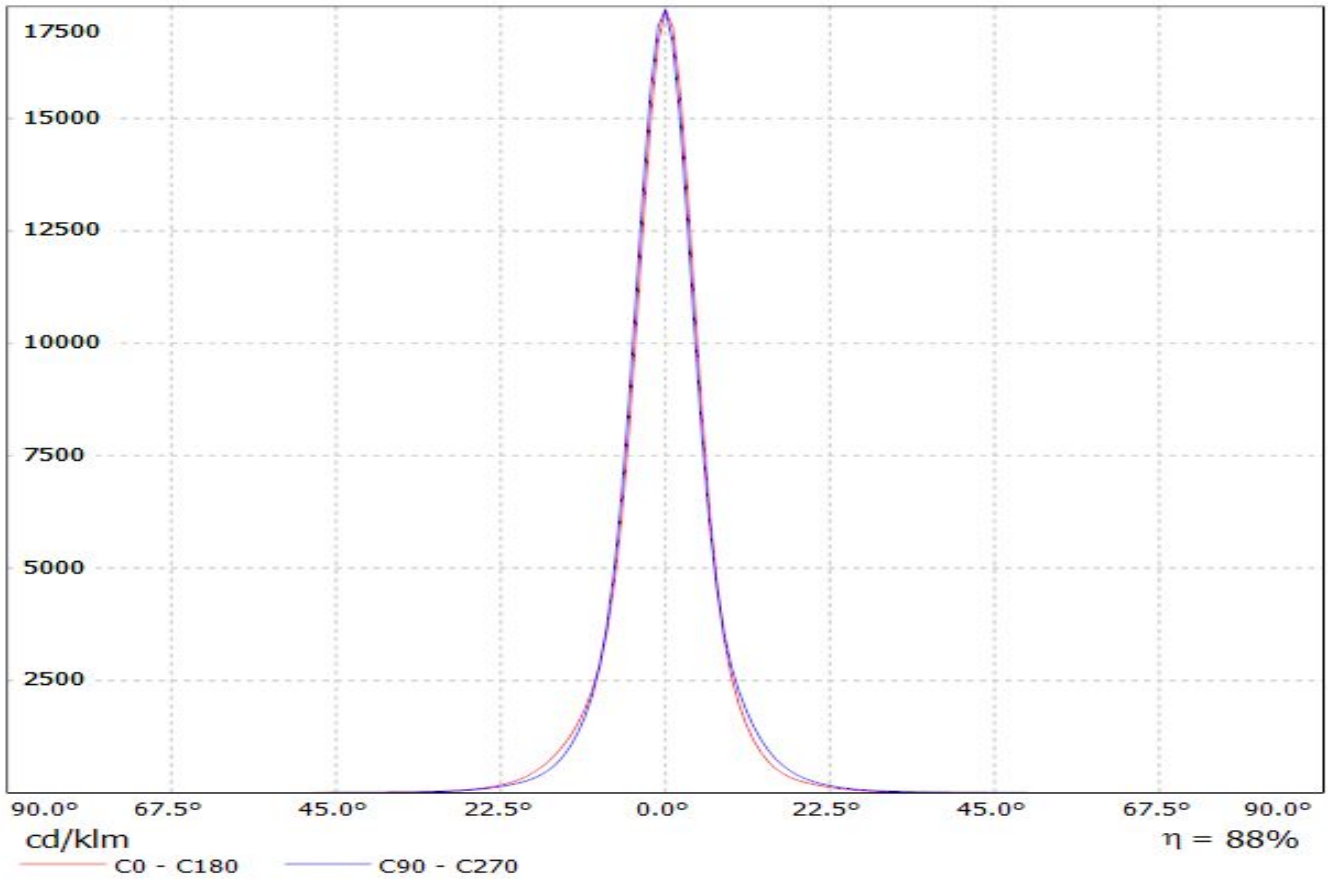
1

1

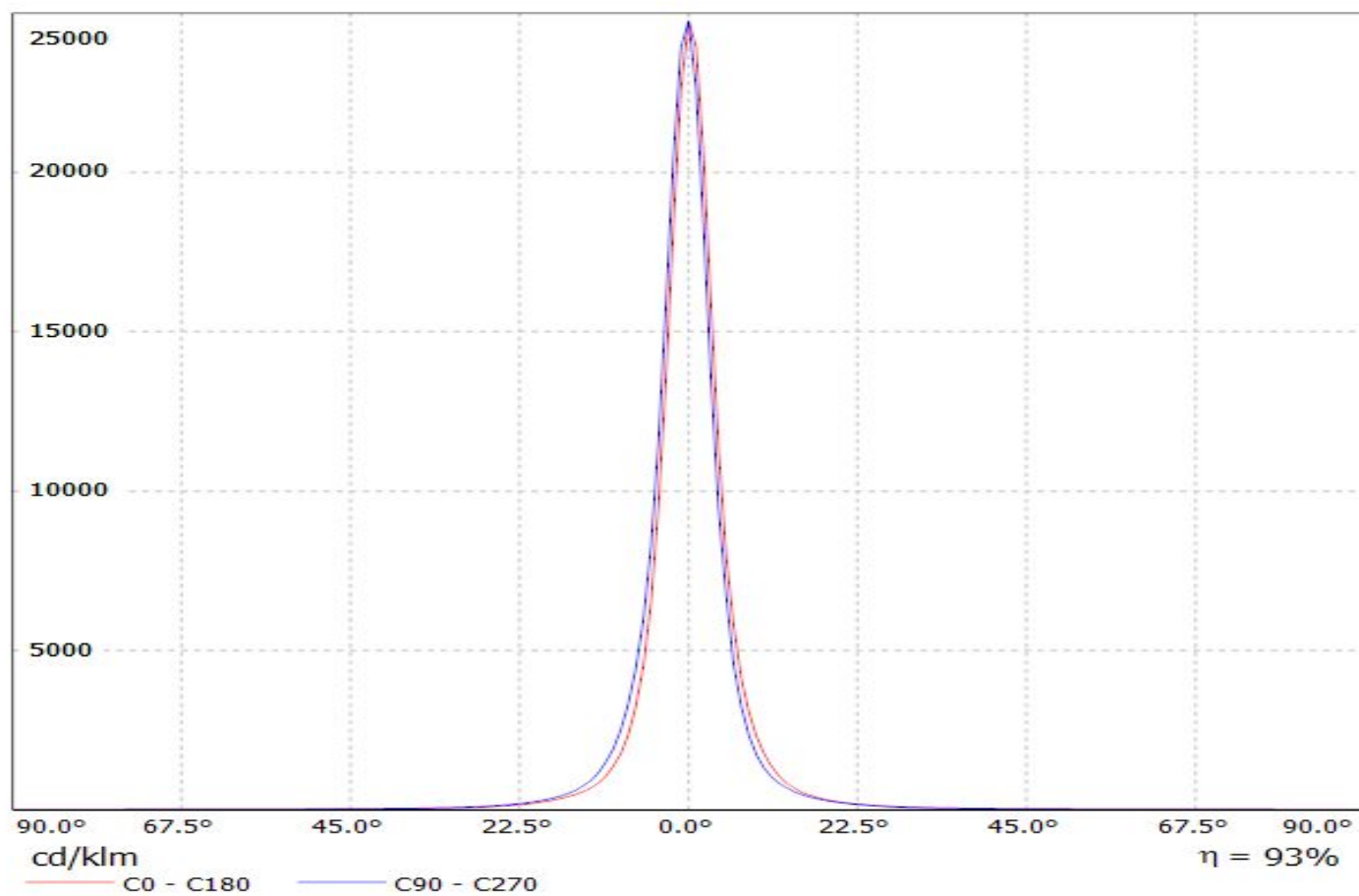
Luminaire: LEDiL Oy CA11264_HEIDI-D_(XP-G2) Efficiency=88%
Lamps: 1 x Cree XP-G2 103lm @ 250mA CCT= P=0.80W I=250mA



Luminaire: LEDiL Oy CA11264_HEIDI-D Eff. 88%
Lamps: 1 x Cree XP-E2 92lm@250mA CCT=5500K P=0.8W

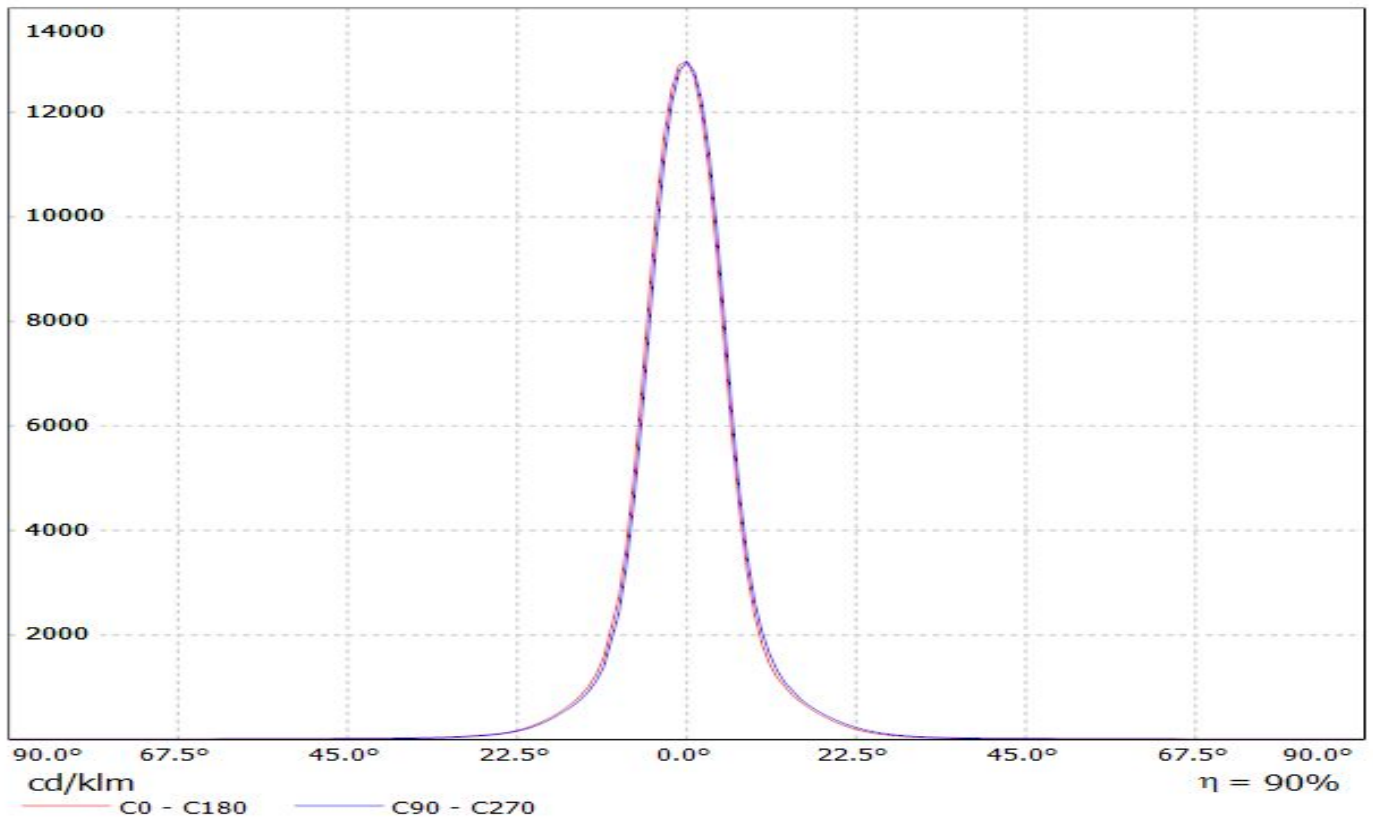


Luminaire: LEDiL Oy CA11264_HEIDI-D_(XQ-E-HI)
Lamps: 1 x Cree_XQ-E_HI_100.602lm@250mA_P=0.744629W_I=0.25A

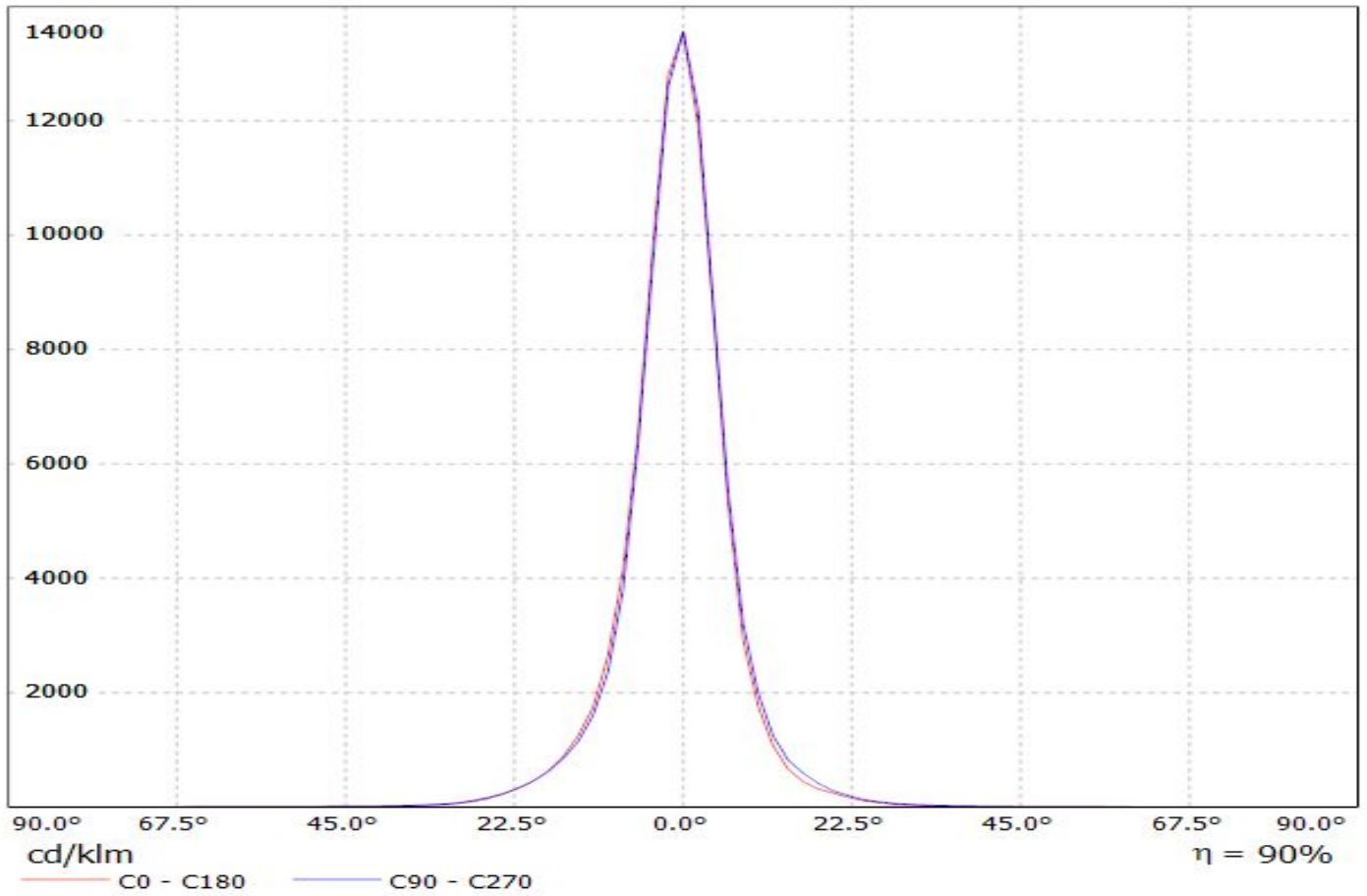


LEDiL Oy CA11264_HEIDI-D_(LUXEON_T)_2 Eff.90.1% / LDC (Linear)

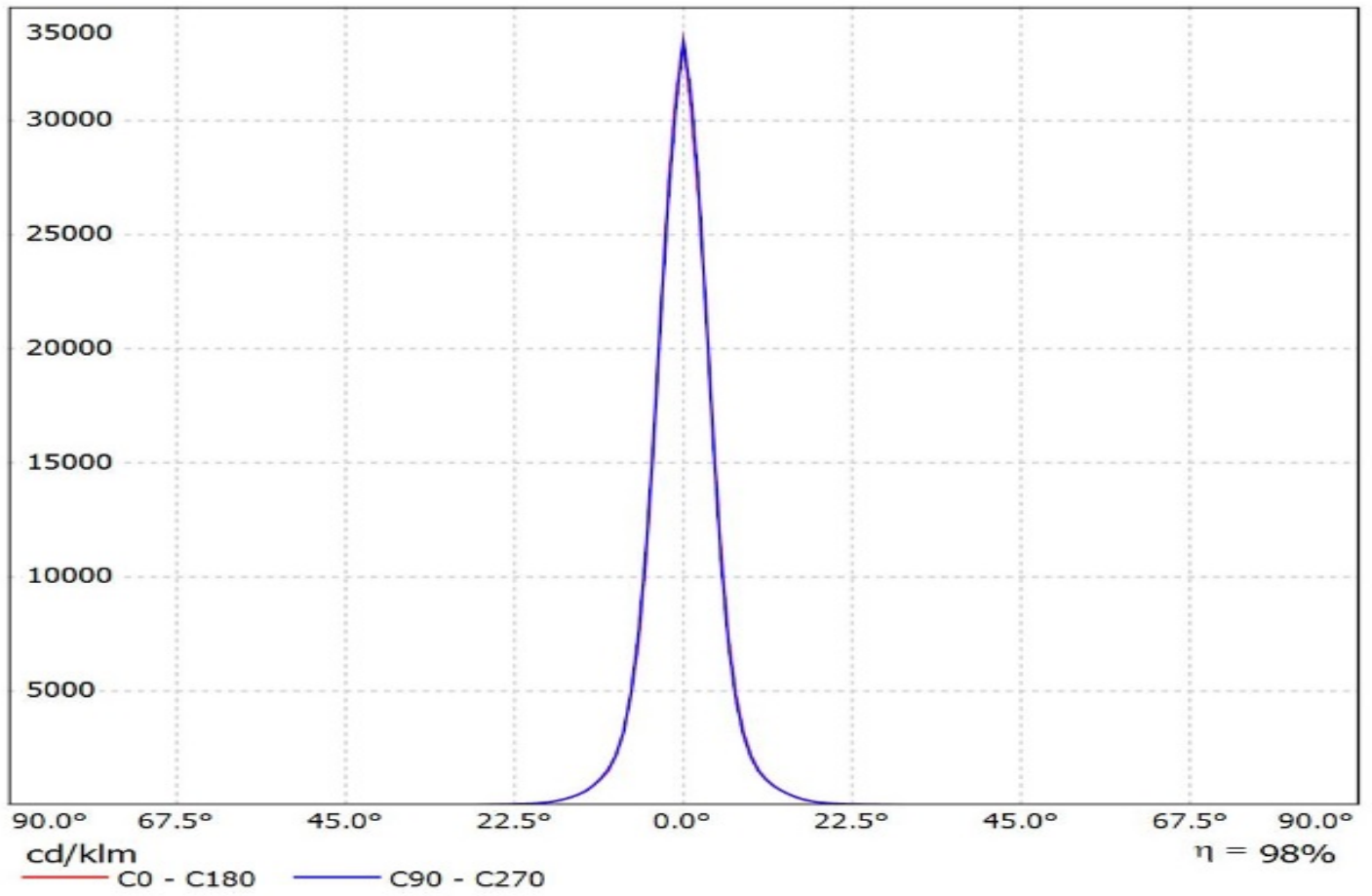
Luminaire: LEDiL Oy CA11264_HEIDI-D_(LUXEON_T)_2 Eff.90.1%
Lamps: 1 x LUXEON T (74lm@250mA)



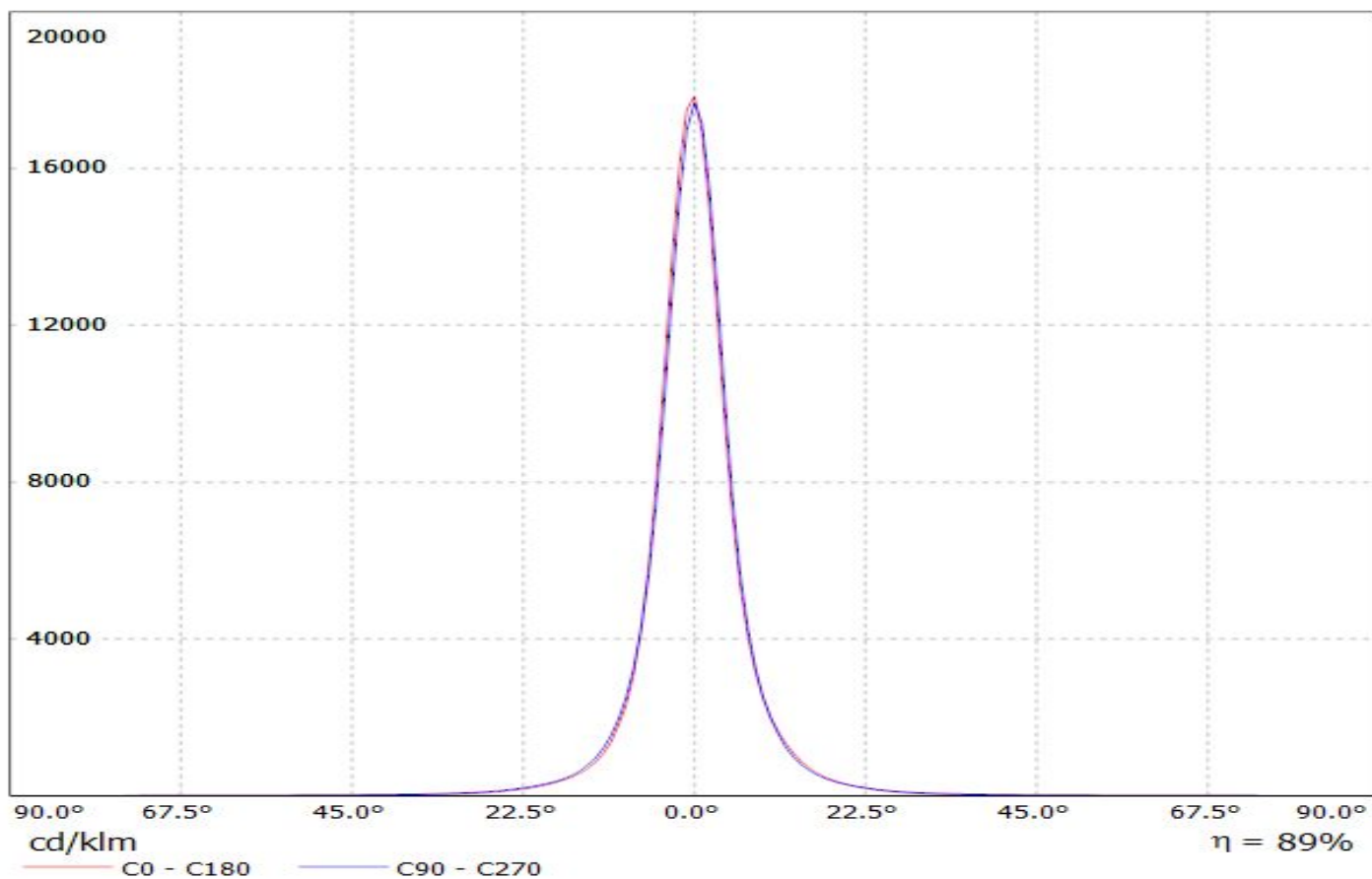
Luminaire: Ledil Oy CA11264_HEIDI-D_(Luxeon_TX) Efficiency= 88%
Lamps: 1 x Luxeon TX (L1T2-3585) 82lm @ 250mA CCT=3521K P=0.73W I=250mA



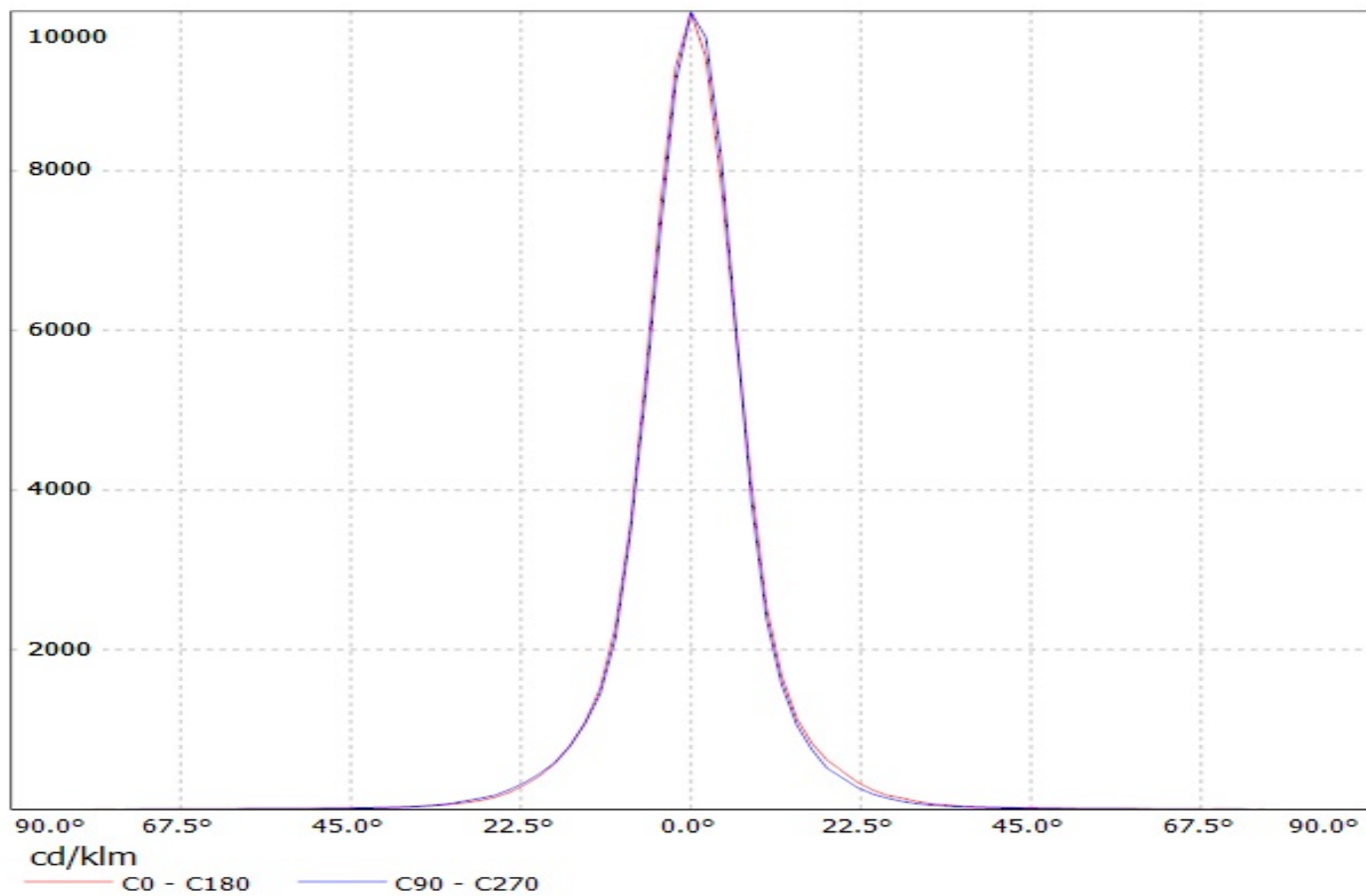
Luminaire: Ledil Oy CA11264_HEIDI-D_(Luxeon_Z_ES)_SIMULATED
Lamps: 1 x Lumileds Luxeon Z ES



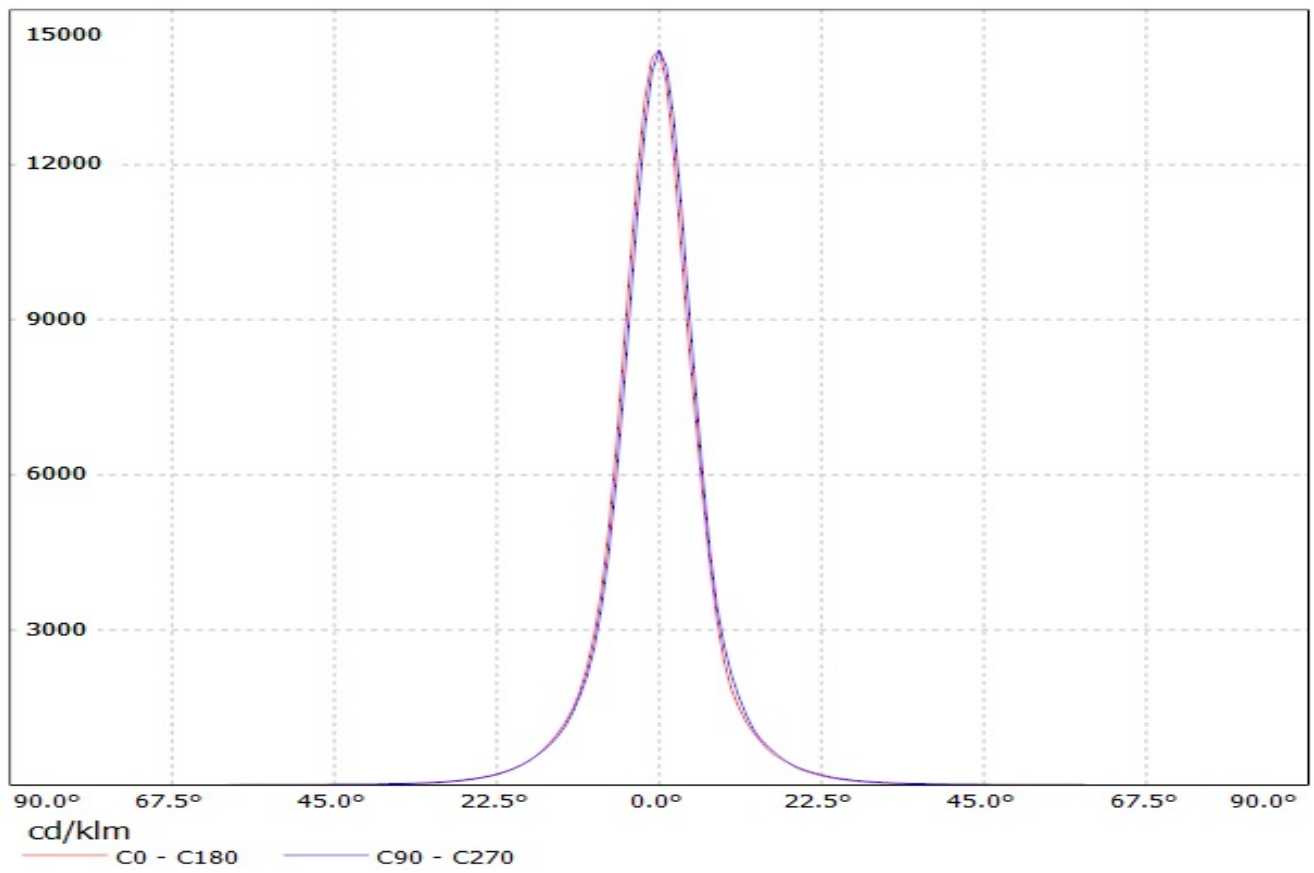
Luminaire: LEDiL Oy CA11264_HEIDI-D_(Luxeon_C_WHITE)
Lamps: 1 x Luxeon_C_WHITE_84.6969lm@250mA_P=0.7410W_I=0.250A



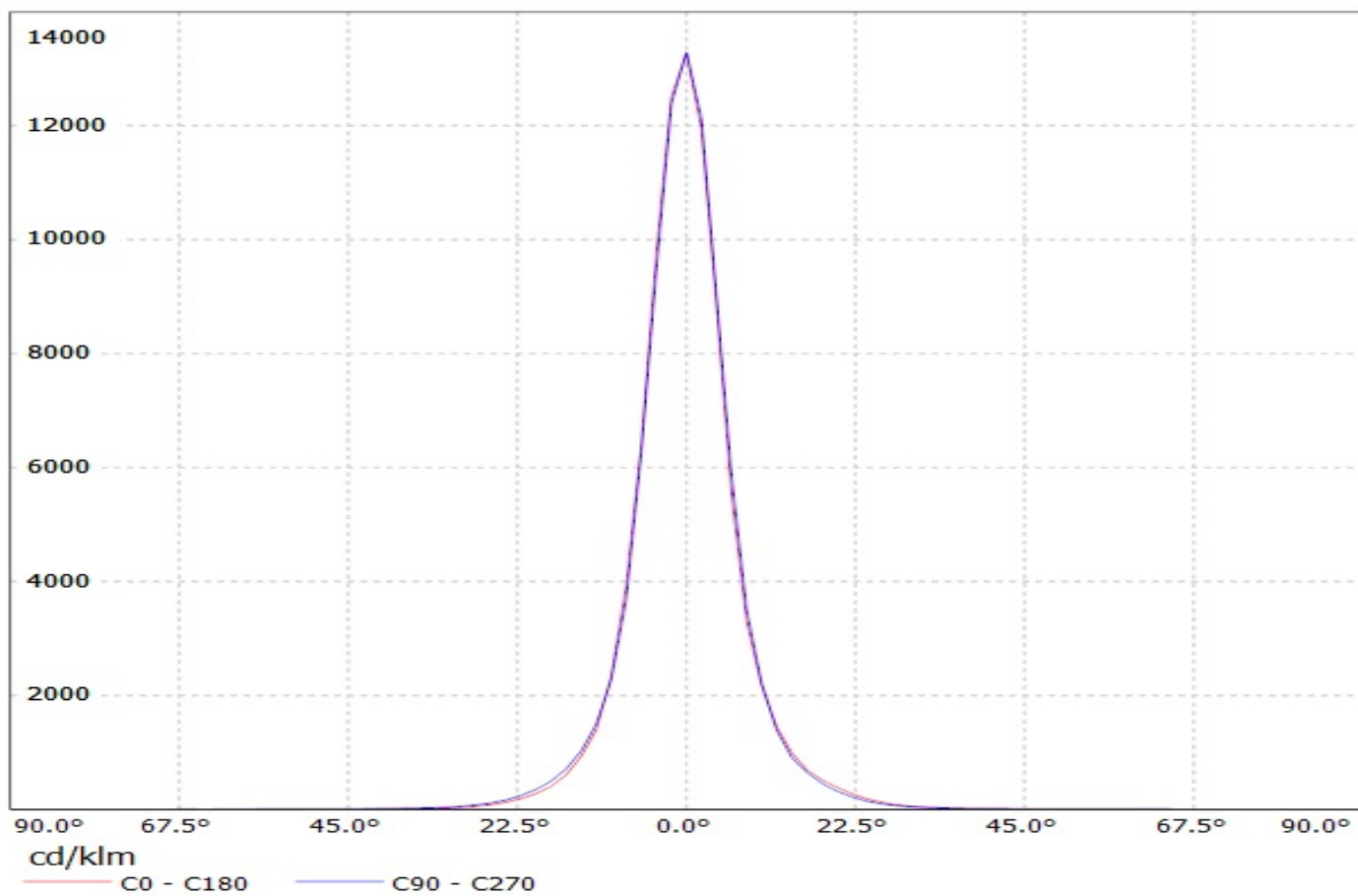
Luminaire: Ledil Oy CA11264_HEIDI-D (Nichia 219B 109lm @ 250mA) Efficiency=91%
Lamps: 1 x Nichia 219B 109lm @ 250mA



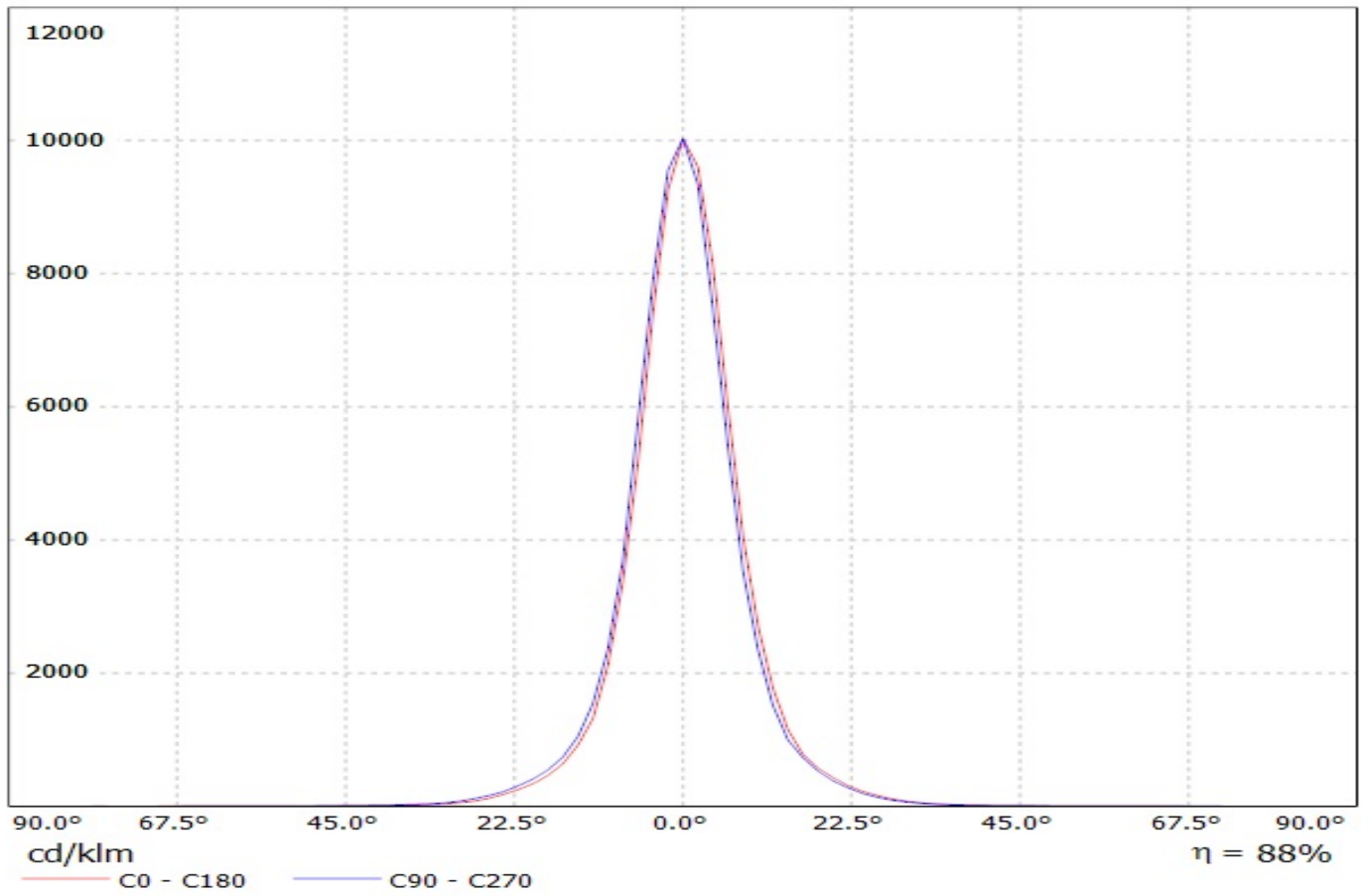
Luminaire: Ledil Oy CA11264_HEIDI-D_(NCSxx19B) Efficiency=85%
Lamps: 1 x Nichia NCSxx19B (NCSL119BE) 88lm @ 250mA CCT=3000K P=0.8W I=250mA



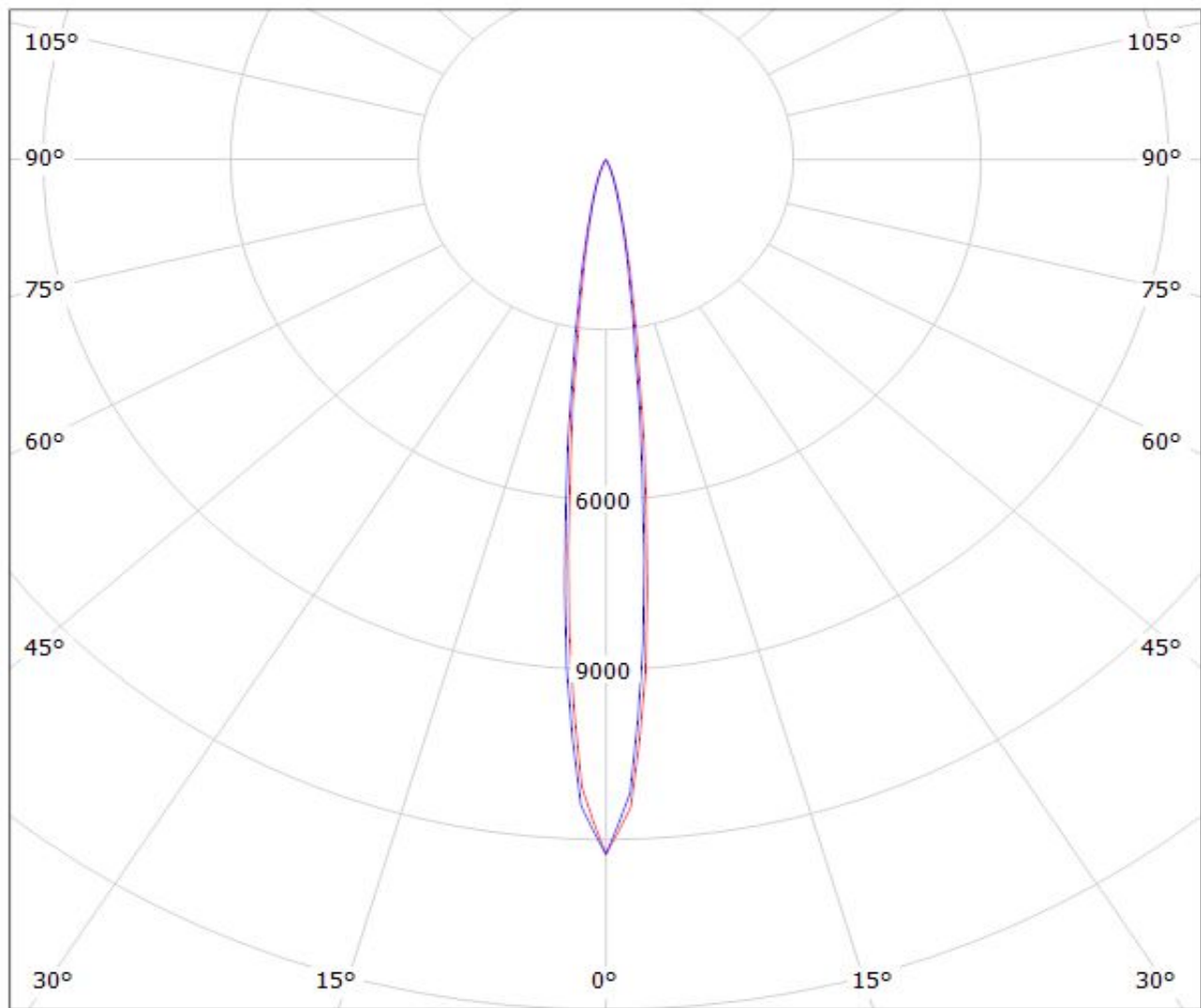
Luminaire: Ledil Oy CA11264_HEIDI-D_(LH351Z) Efficiency=88%
Lamps: 1 x Samsung LH351Z (90.14lm @ 250mA) CCT=6500K P=0.7W I=250mA



Luminaire: Ledil Oy CA11264_HEIDI-D_(LH351B)
Lamps: 1 x Samsung LH351B (105.7lm @ 250mA) P=0.7W I=250mA



Luminaire: LEDiL Oy CA11264_HEIDI-D_(XP-G2) Efficiency=88%
Lamps: 1 x Cree XP-G2 103lm @ 250mA CCT= P=0.80W I=250mA

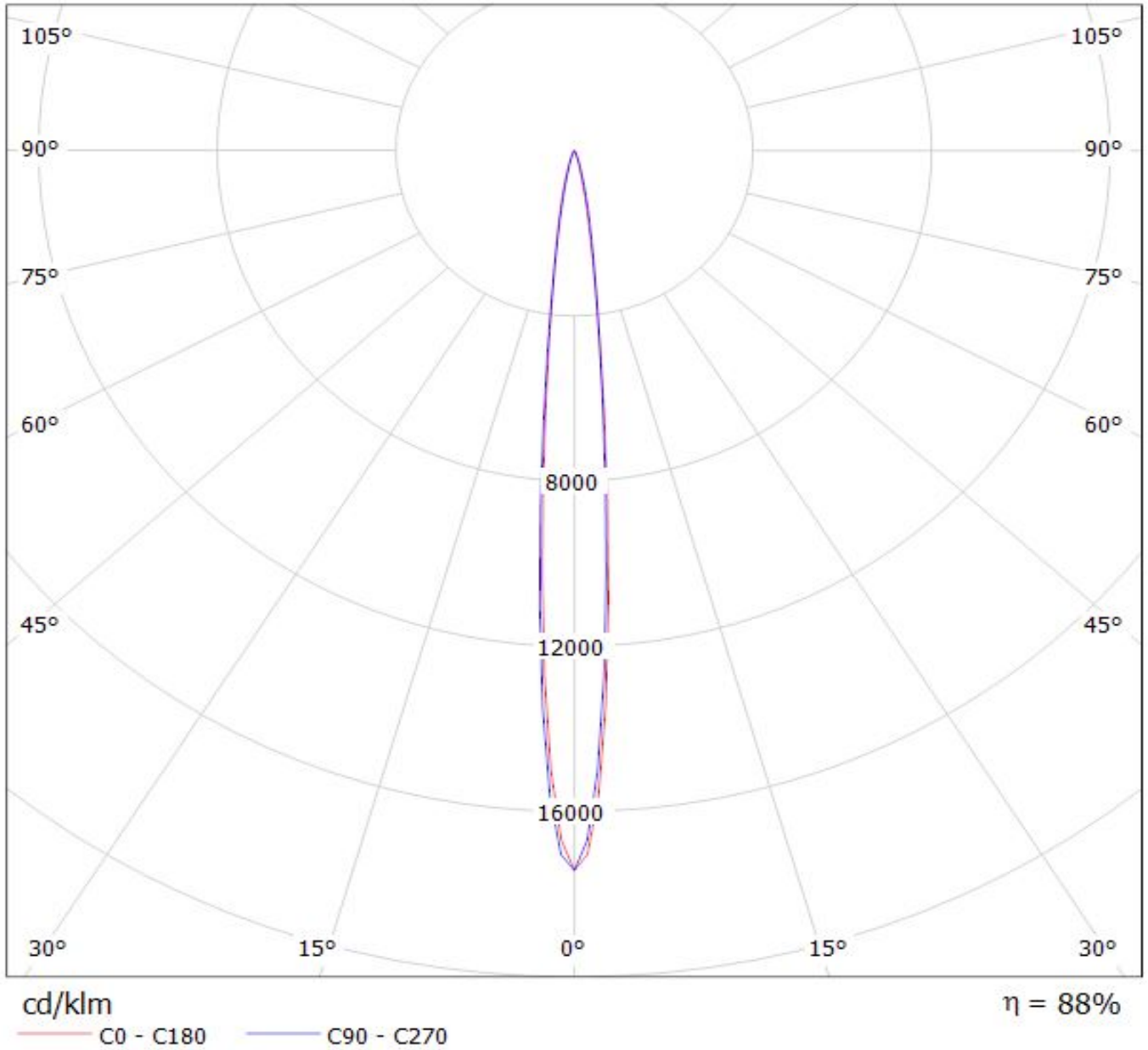


cd/klm

$\eta = 88\%$

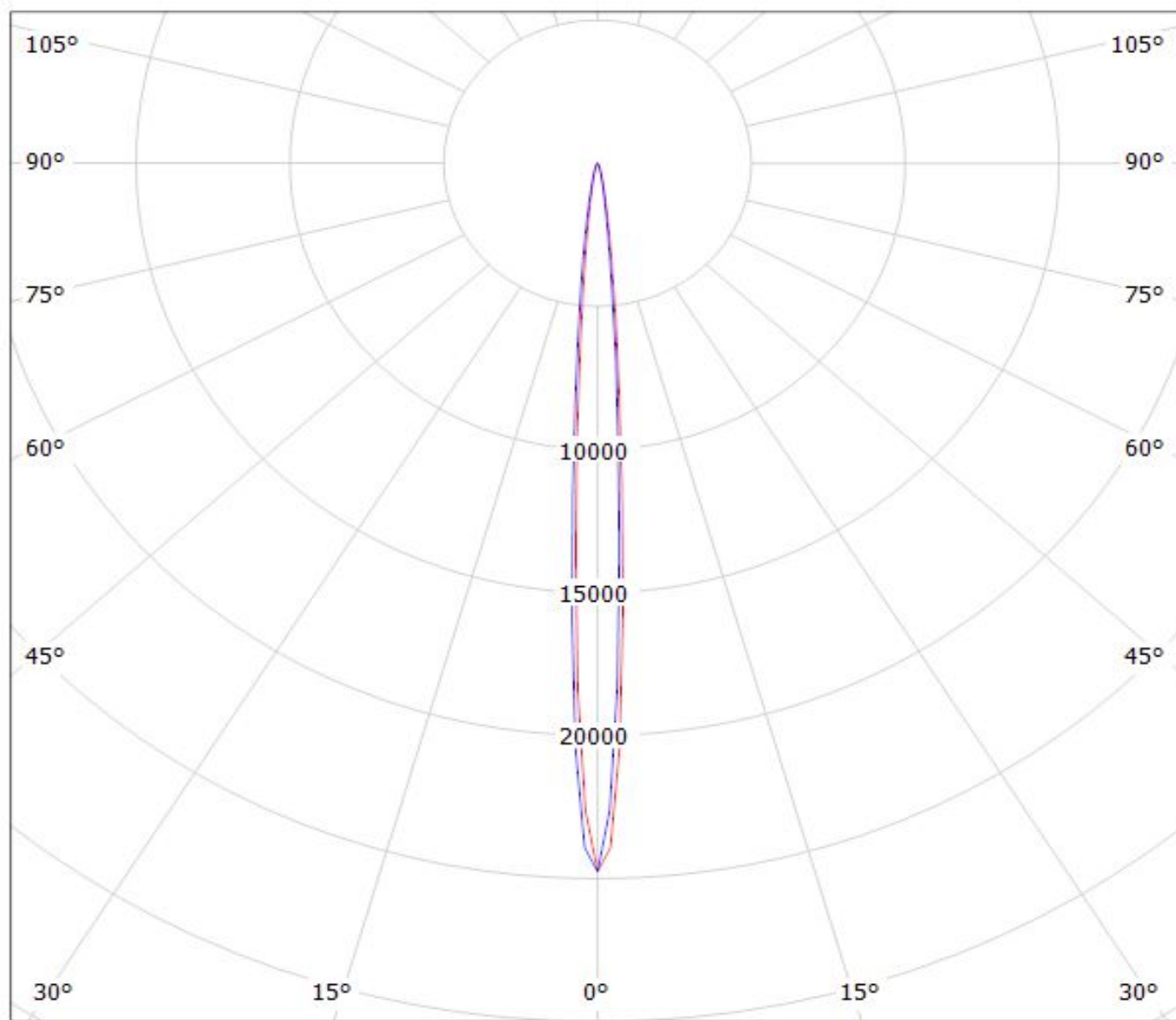
— C0 - C180 — C90 - C270

Luminaire: LEDiL Oy CA11264_HEIDI-D Eff. 88%
Lamps: 1 x Cree XP-E2 92lm@250mA CCT=5500K P=0.8W



Luminaire: LEDiL Oy CA11264_HEIDI-D_(XQ-E-HI)

Lamps: 1 x Cree_XQ-E_HI_100.602lm@250mA_P=0.744629W_I=0.25A



cd/klm

— C0 - C180

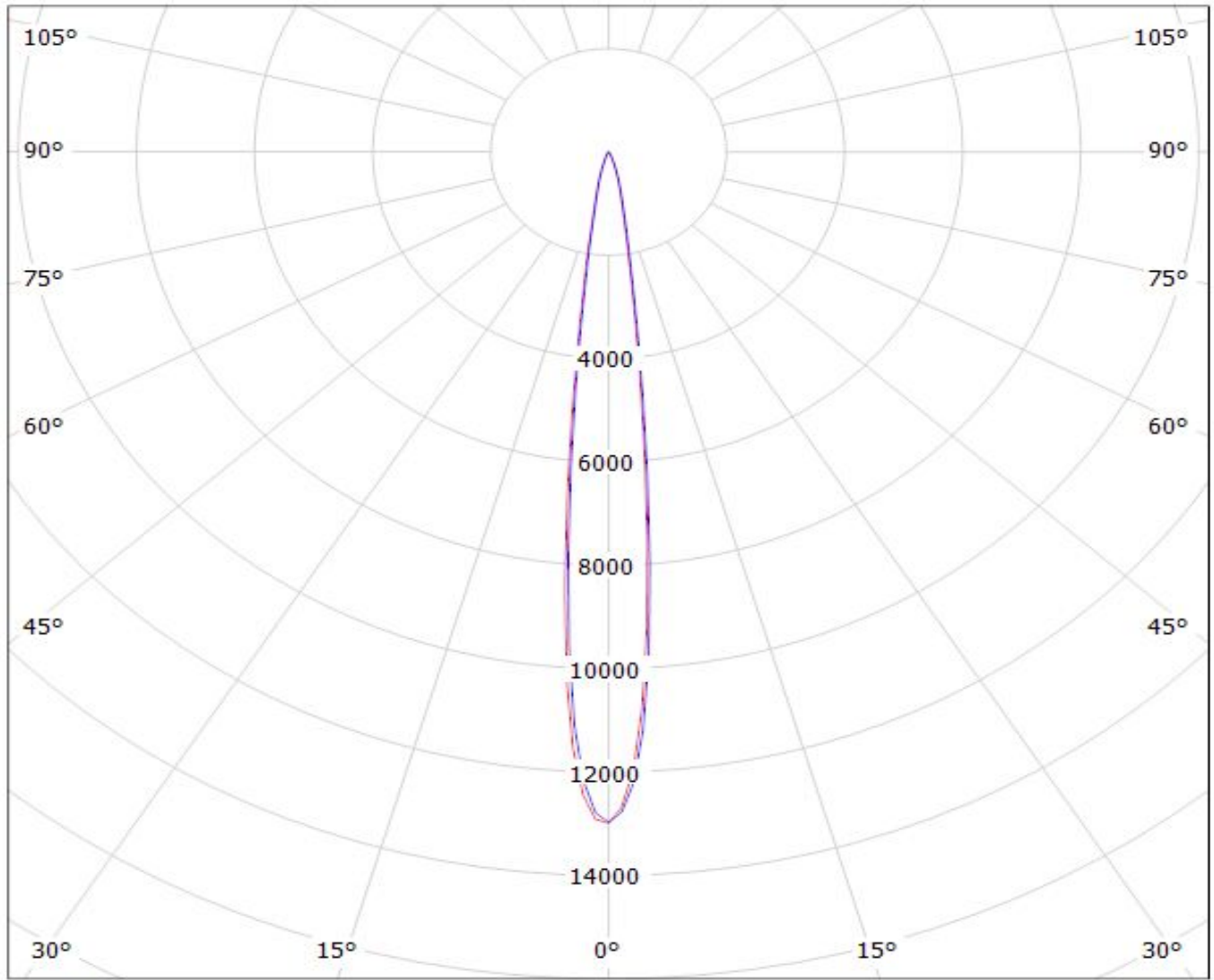
— C90 - C270

$\eta = 93\%$

LEDiL Oy CA11264_HEIDI-D_(LUXEON_T)_2 Eff.90.1% / LDC (Polar)

Luminaire: LEDiL Oy CA11264_HEIDI-D_(LUXEON_T)_2 Eff.90.1%

Lamps: 1 x LUXEON T (74lm@250mA)



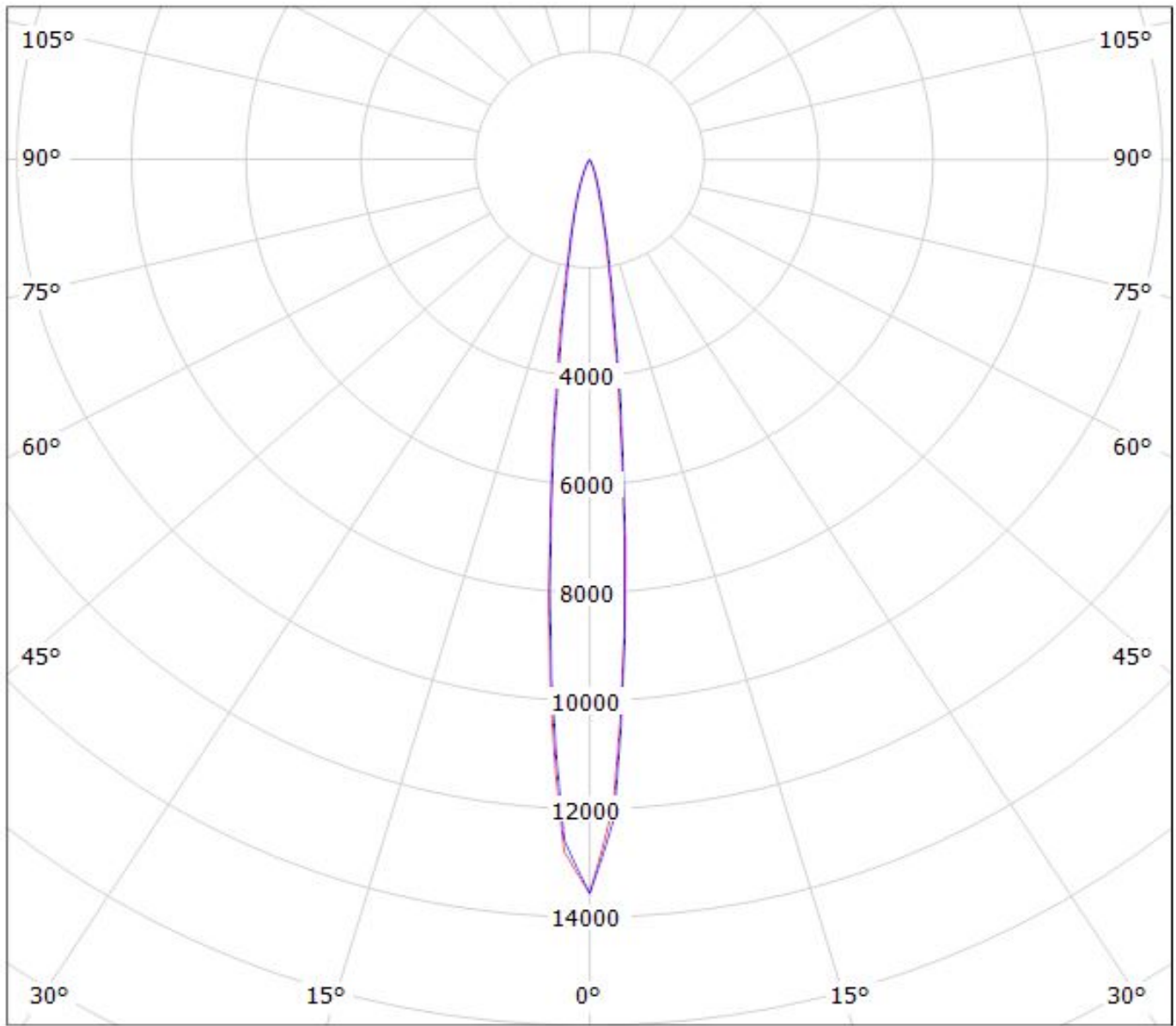
cd/klm

$\eta = 90\%$

— C0 - C180

— C90 - C270

Luminaire: Ledil Oy CA11264_HEIDI-D_(Luxeon_TX) Efficiency= 88%
Lamps: 1 x Luxeon TX (L1T2-3585) 82lm @ 250mA CCT=3521K P=0.73W I=250mA

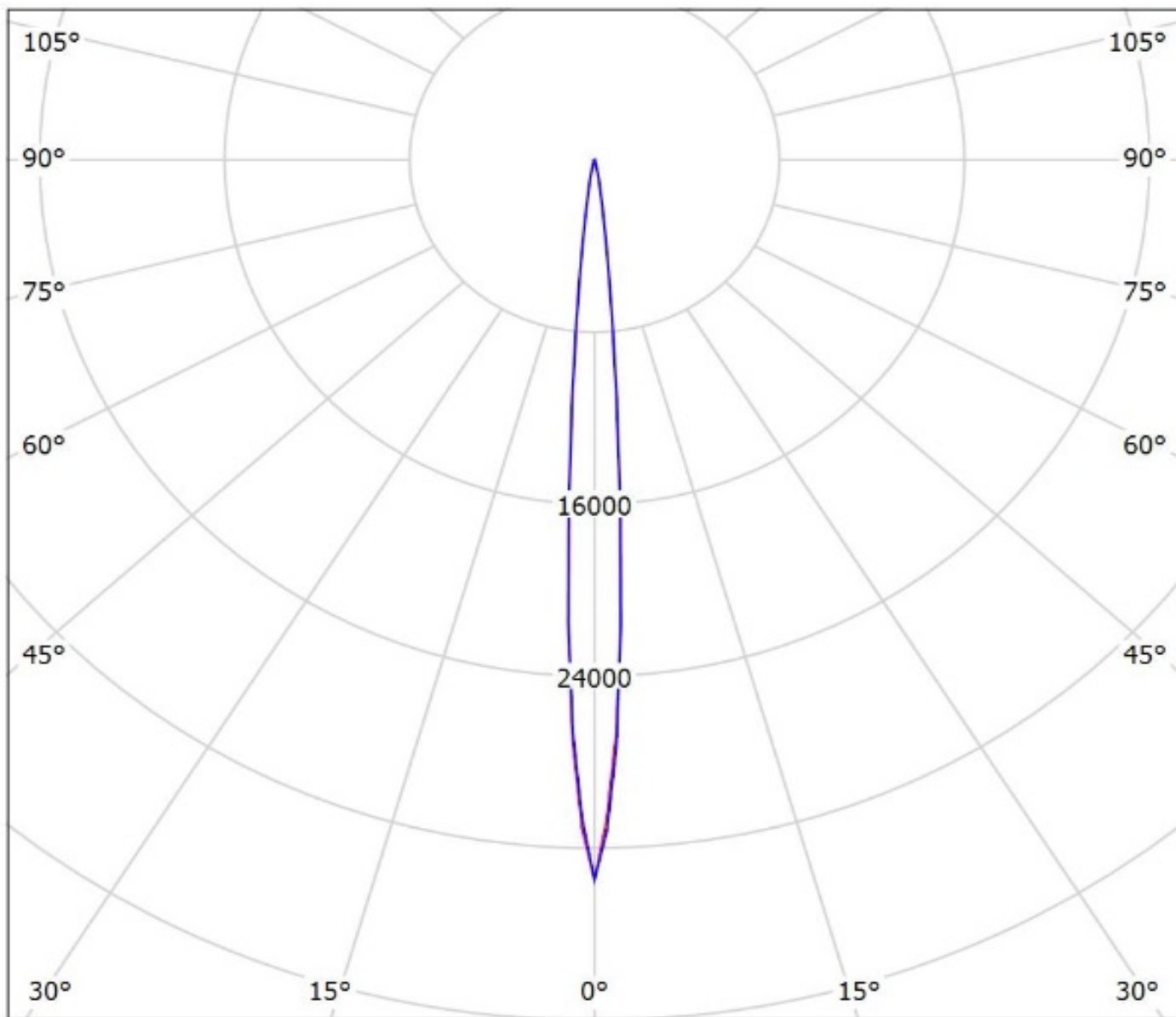


cd/klm

$\eta = 90\%$

— C0 - C180 — C90 - C270

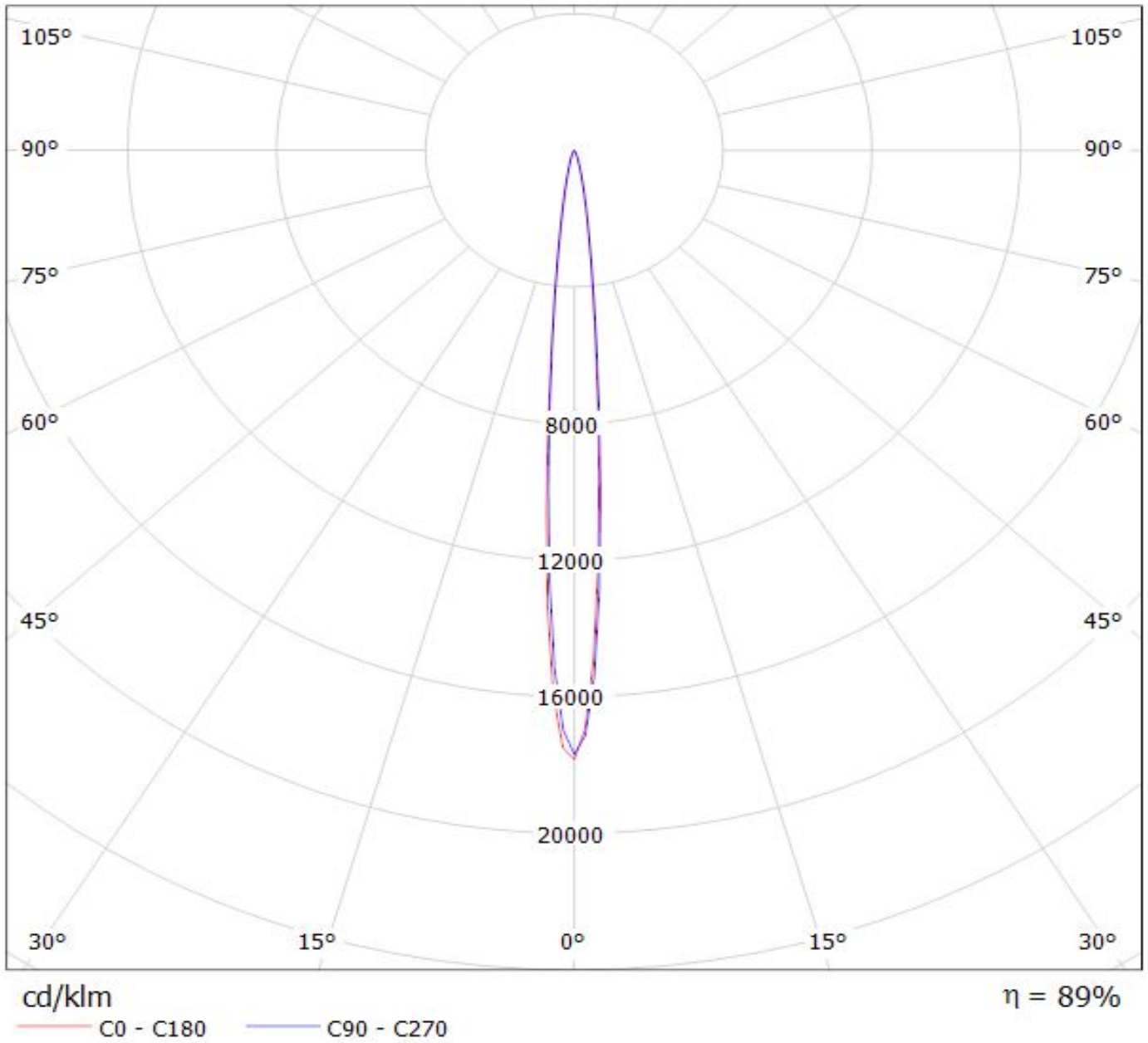
Luminaire: Ledil Oy CA11264_HEIDI-D_(Luxeon_Z_ES)_SIMULATED
Lamps: 1 x Lumileds Luxeon Z ES



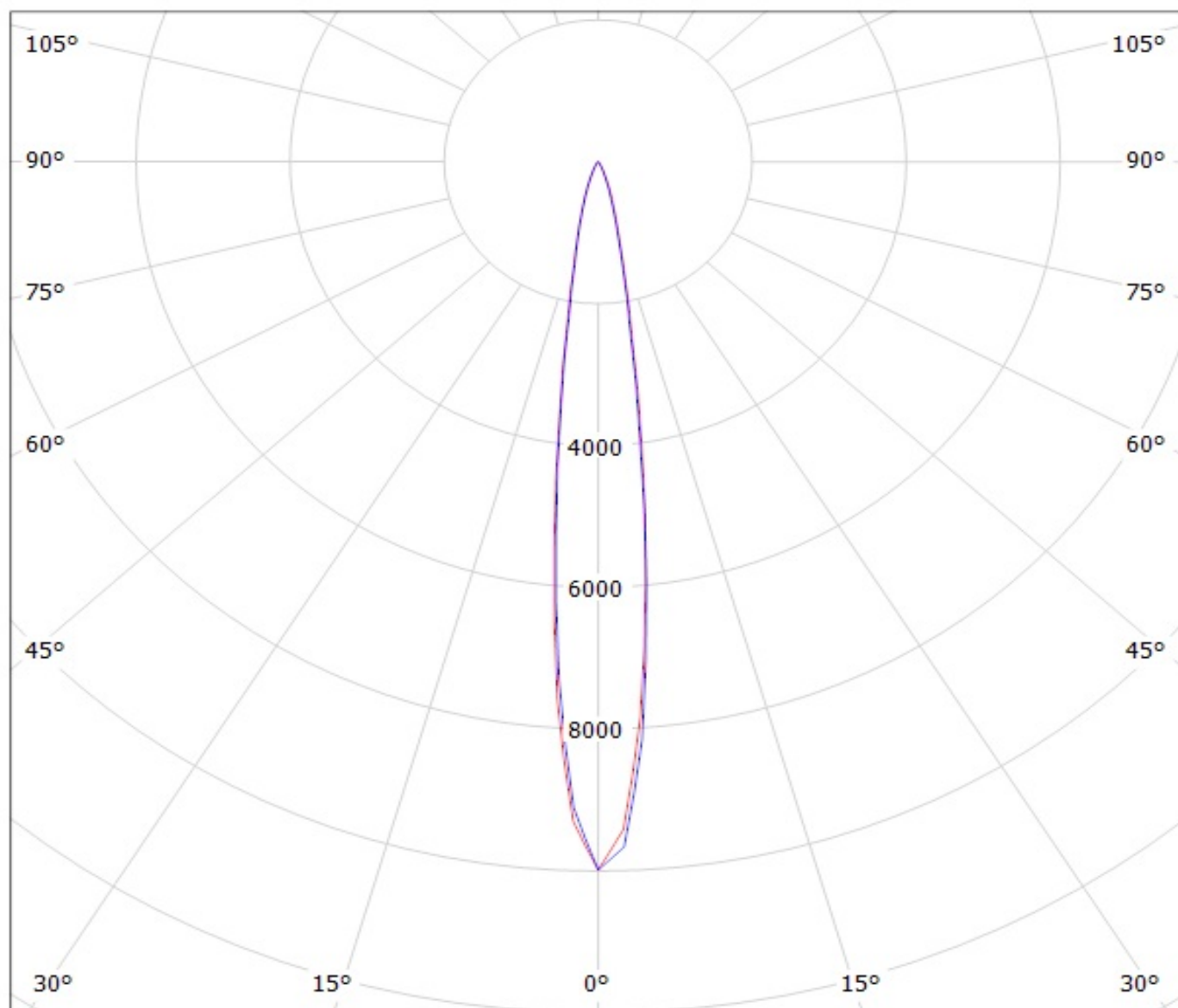
cd/klm
— C0 - C180 — C90 - C270

$\eta = 98\%$

Luminaire: LEDiL Oy CA11264_HEIDI-D_(Luxeon_C_WHITE)
Lamps: 1 x Luxeon_C_WHITE_84.6969lm@250mA_P=0.7410W_I=0.250A



Luminaire: Ledil Oy CA11264_HEIDI-D (Nichia 219B 109lm @ 250mA) Efficiency=91%
Lamps: 1 x Nichia 219B 109lm @ 250mA



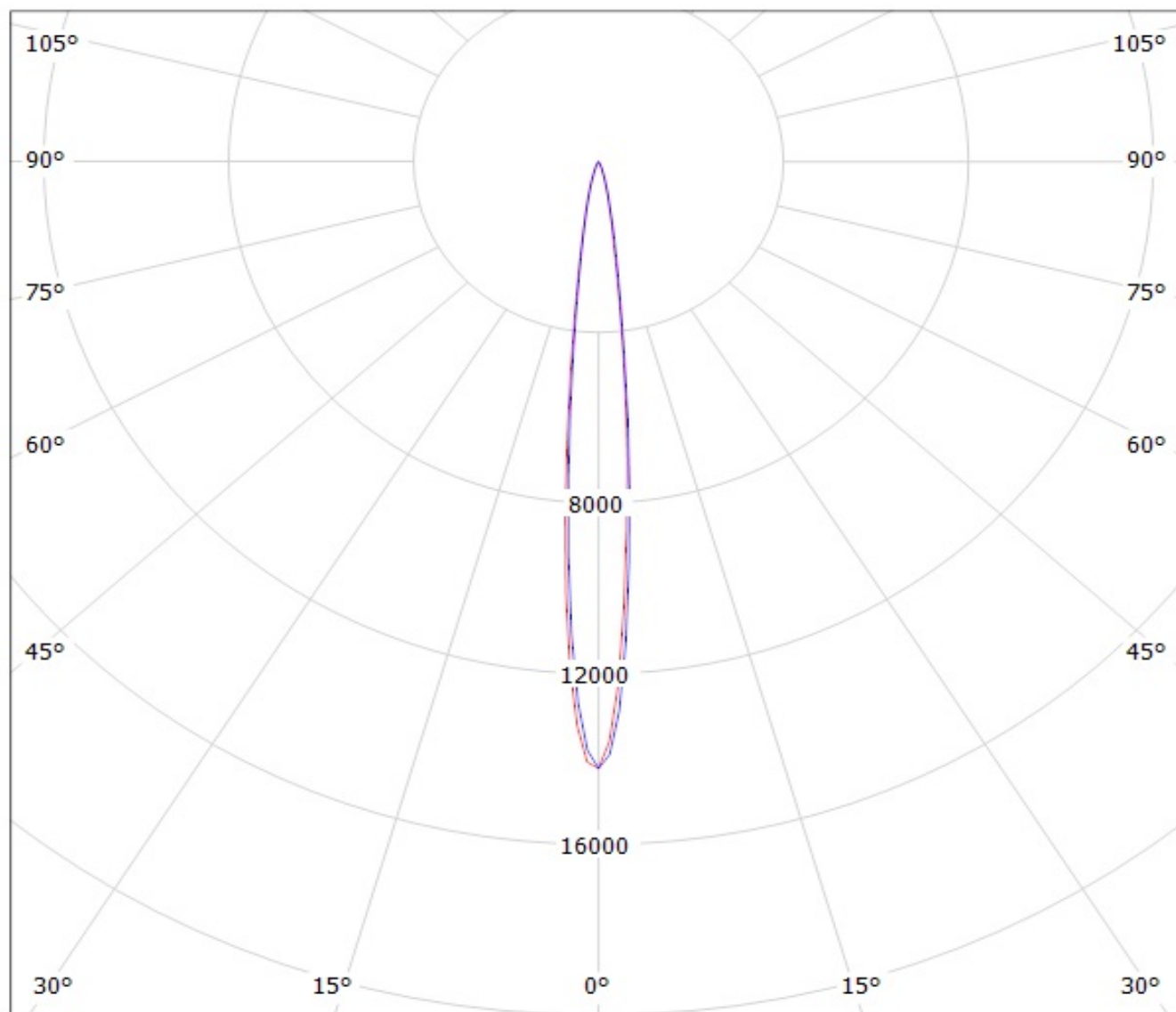
cd/klm

— C0 - C180

— C90 - C270

Luminaire: Ledil Oy CA11264_HEIDI-D_(NCSxx19B) Efficiency=85%

Lamps: 1 x Nichia NCSxx19B (NCSL119BE) 88lm @ 250mA CCT=3000K P=0.8W I=250mA

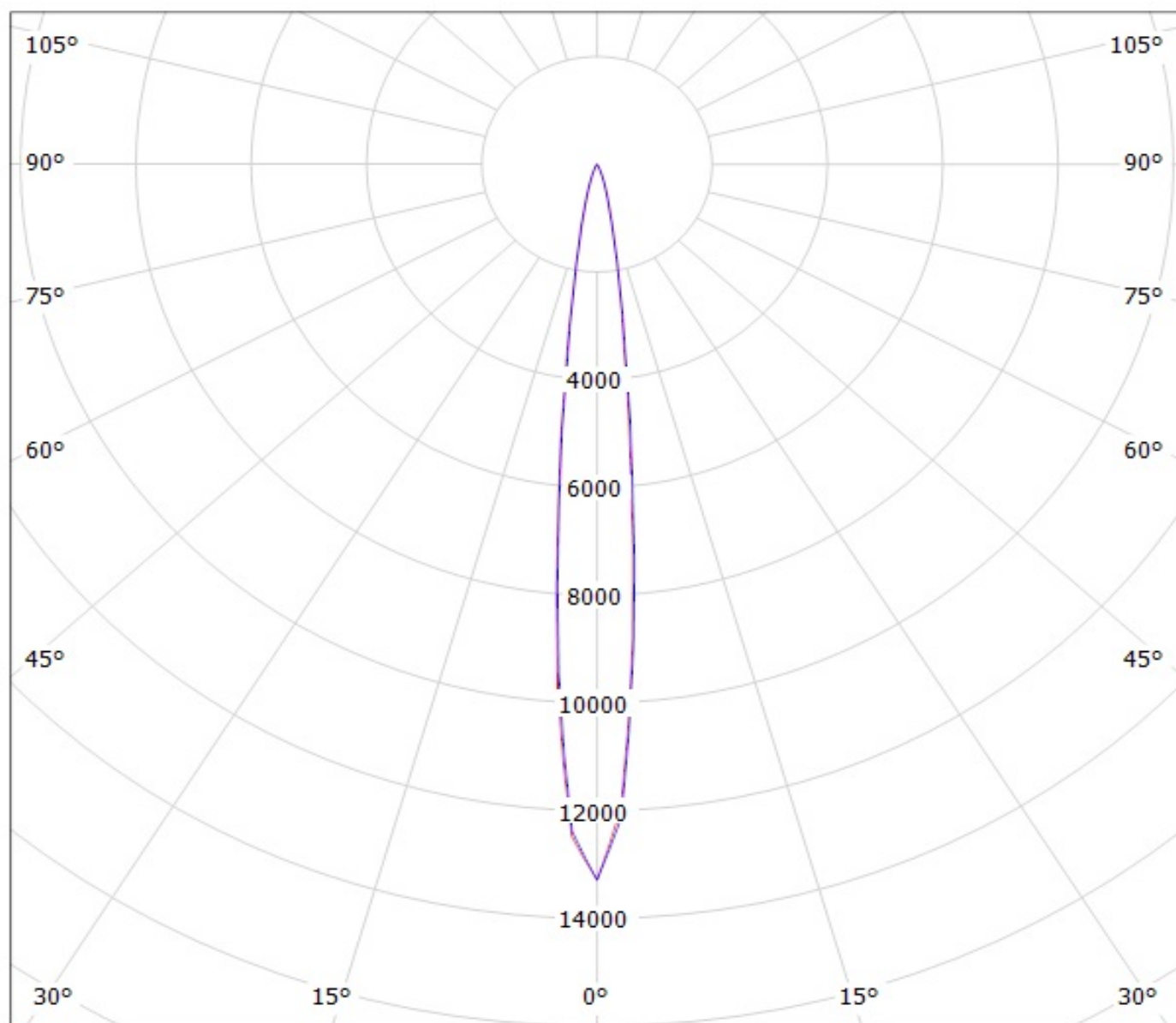


cd/klm

— C0 - C180

— C90 - C270

Luminaire: Ledil Oy CA11264_HEIDI-D_(LH351Z) Efficiency=88%
Lamps: 1 x Samsung LH351Z (90.14lm @ 250mA) CCT=6500K P=0.7W I=250mA



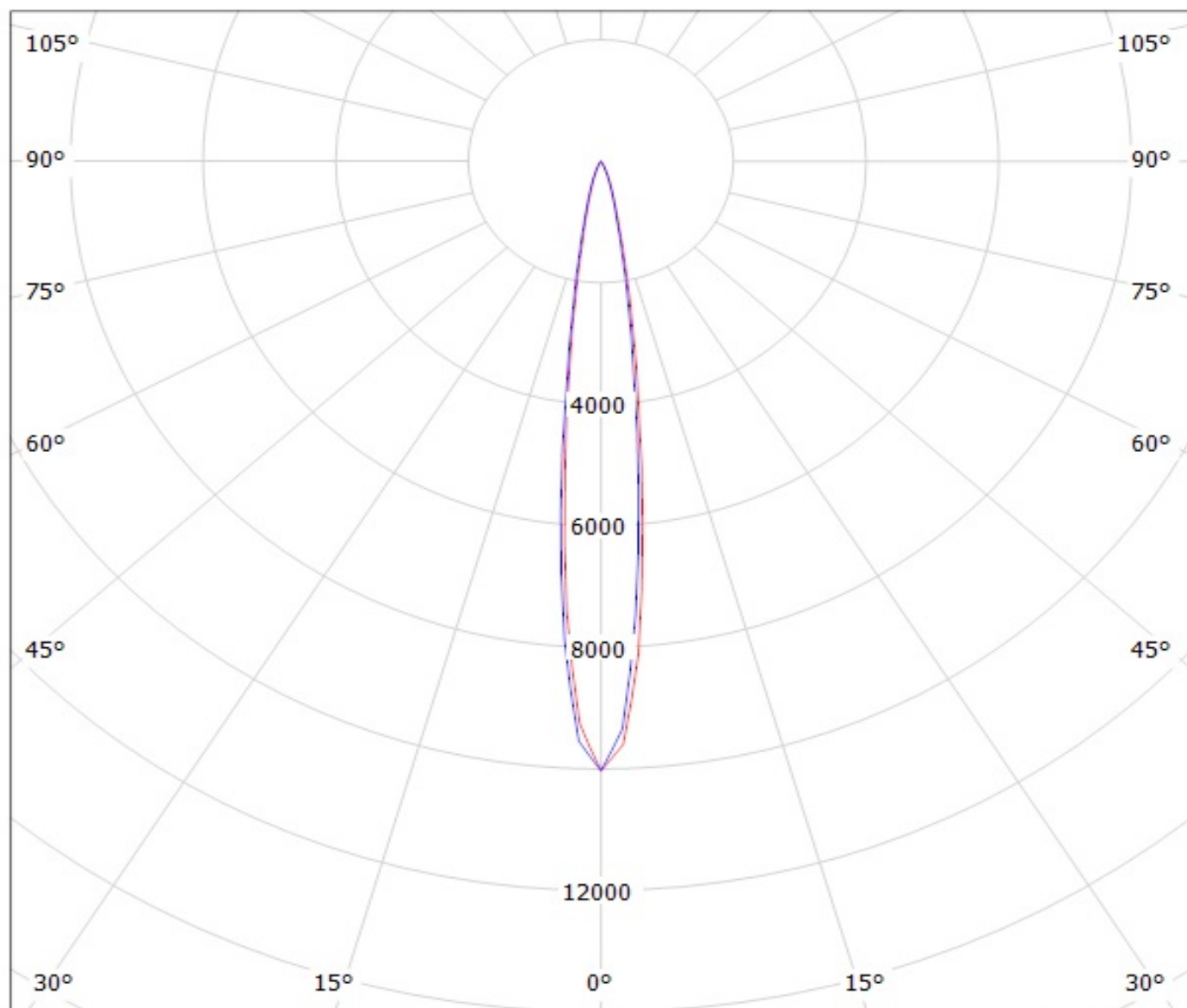
cd/klm

— C0 - C180

— C90 - C270

Luminaire: Ledil Oy CA11264_HEIDI-D_(LH351B)

Lamps: 1 x Samsung LH351B (105.7lm @ 250mA) P=0.7W I=250mA



cd/klm

— C0 - C180

— C90 - C270

$\eta = 88\%$

NOTE: The typical divergence will be changed by different color, chip size and chip position tolerance. The typical total divergence is the full angle measured where the luminous intensity is half of the peak value.