

Ordering Code

CF25 ** 1 D 0 *0 - 05

① ② ③ ④ ⑤ ⑥ ⑦

Series No.

No. of Circuits

Plating code:

1= Matte Tin plated over Nickel

2= Gold flash over 50 μ "min. Nickel

④ Contact style: D= Downside contact

⑤ Color: 0= Nature

⑥ Other option: R0= Tape & Reel
T0= Tube Packing

⑦ Pitch: 05= 0.50 mm

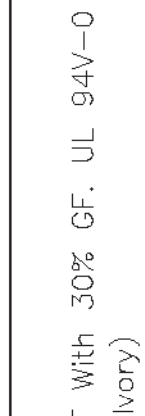
Material :

* Body : PA6T or PA9T With 30% GF. UL 94V-0
Color Nature(Ivory)

* Slider : PA6T or PA9T With 30% GF. UL 94V-0
Color Black

* Contact : Phosphor Bronze

* Fixed tab : Brass with Tin Plated



DIM.A = 0.50 x No. of Spaces
DIM.E = DIM.A + 4.6
DIM.C = DIM.A + 1.1

* Available in 5 through 65 circuits

Accommodated FFC/FPC

Lead Free Process

RoHS Compliant

Recommended P.C. Board Layout

TITLE: 0.50mm(.020") ZIF FFC/FPC ONE-TOUCH CONNECTOR

MATERIAL:

FINISH:

UNIT:	mm / inch
TOLERANCE UNLESS OTHERWISE SPECIFIED	
X	± 0.15/.006 X' ± 1"
XX	± 0.10/.004 X' ±
XXX	± 0.05/.002 XX' ±

DATE	9/22-07'
DRAWN BY:	Sandy
ENGINEER:	Eisley
CHECKED BY:	David
APPROVED BY:	Alex

6	Sun	6/15-07'	ECN07246	REVISIONS
5	Sandy	4/29-07'	ECN07153	
4	Hank	7/24/06'	ECN06252	
3	Sandy	9/22-07'	ECN07381/ECR07065-1	

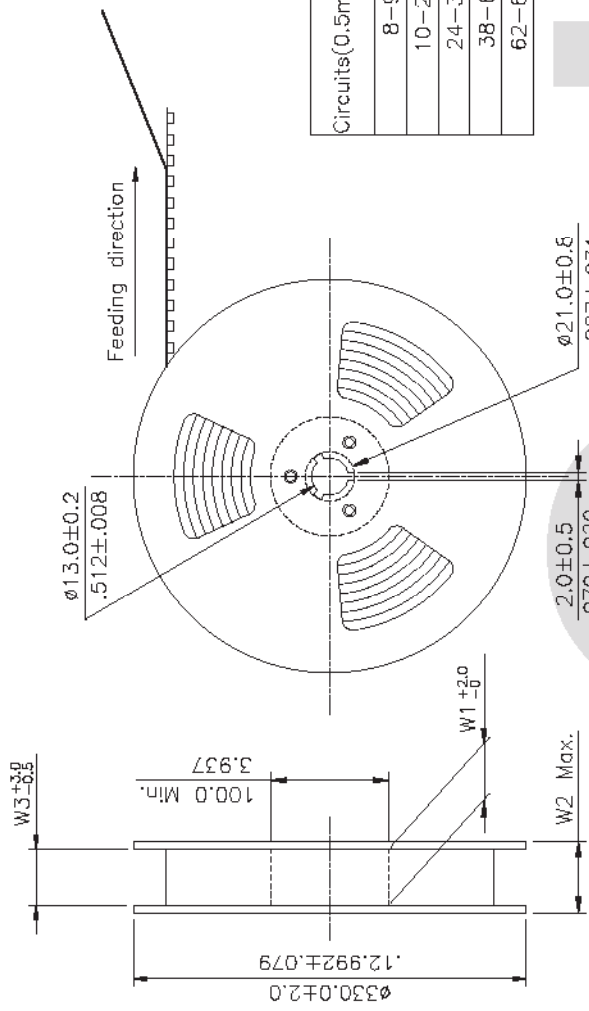
2007.10.02
ISSUED

潮荃股份有限公司
CvLux Corporation

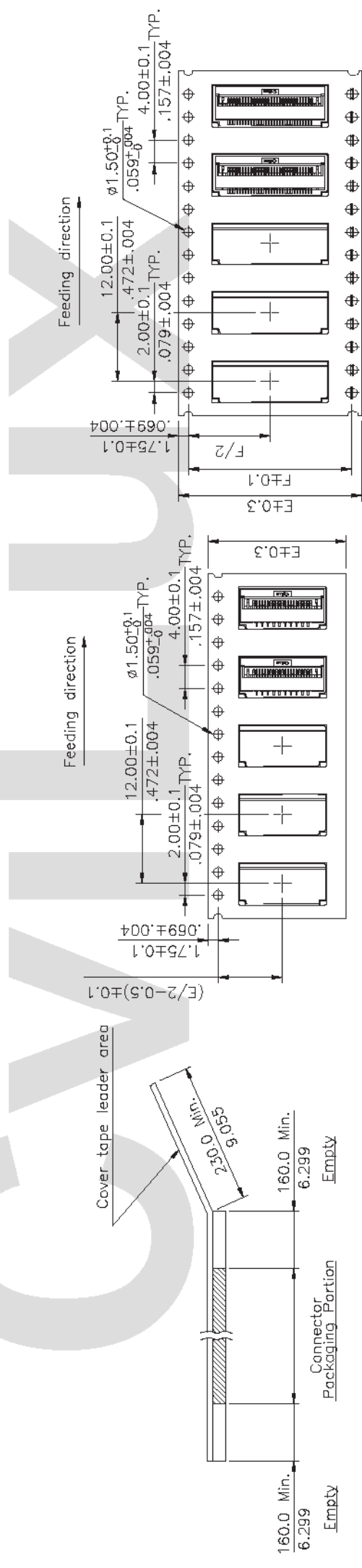
DRAWING NO.	CF2502SH	PART NO.	CF25***D0*0-05
SCALE	5 / 1	SHEET	1 OF 2

NOTES:

1. 10 sprocket hole pitch cumulative tolerance ± 0.20
2. Carrier camber is within 1 mm in 250 mm.
3. Material :Transparent Anti-static Polysyrene.
4. All dimensions meet EIA-481-2 requirements.
5. Thickness : 0.35 ± 0.05 mm.
6. Packing length per 22" Reel : 56 Meters.
7. Component load per 13" Reel : 2000 pcs.



Circuits(0.5mm Pitch)	Dimension				Packing (Reel/Caton)	
	E	F	W1	W2		
8-9	16.0(.630)	—	16.5(.650)	22.5(.885)	16.5(.650)	9
10-23	24.0(.945)	—	24.5(.965)	30.5(1.200)	24.5(.965)	8
24-37	32.0(1.260)	28.40(1.118)	32.5(1.280)	38.5(1.516)	32.5(1.280)	6
38-61	44.0(1.732)	40.40(1.596)	44.5(1.752)	50.5(1.988)	44.5(1.752)	5
62-65	56.0(2.204)	52.50(2.067)	56.5(2.224)	62.5(2.460)	56.5(2.224)	4



WIDTH : 32.44,56 mm Carrier

WIDTH : 16.24 mm Carrier

RoHS Compliant

6	Sun	6/15-07	ECN07246	DATE	9/22-07	UNIT: mm / inch	TITLE: 0.50mm(.020") ZIF FFC/FPC ONE-TOUCH CONNECTOR
5	Sandy	4/29-07	ECN07153	DRAWN BY: Sandy	9/28-07	TOLENANCE UNLESS OTHERWISE SPECIFIED	ONE-TOUCH CONNECTOR
4	Hank	7/24/06	ECN06252	ENGINEER: Easley	9/28-07	X ± X' ± 1"	MATERIAL:
3	Sandy	9/22-07	ECN07381/ECR07065-1	CHECKED BY: David	9/28-07	XX ± X' ±	FINISH:
SYM	NAME	DATE	REVISIONS	APPROVED BY: Alex	9/28-07	XXX ± XX' ±	

CVLUX CORP.
2007.10.02
ISSUED

瀚荃股份有限公司
CviLux Corporation

DRAWING NO. CF2502SH PART NO. CF25***D0*0-05
SCALE SHEET 2 OF 2