

DETAILS

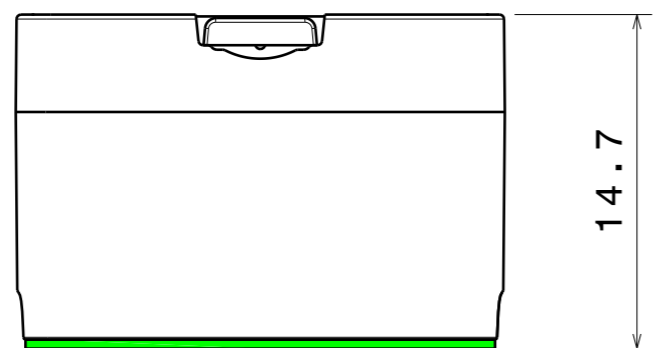
Product Number	FA10661_LXP-RS
Family	Leila
Type	Assembly
Color	black
Diameter	21,6 mm
Height	14,7 mm
Style	round
Optic Material	PMMA
Holder Material	
Fastening	tape
Status	production ready
ROHS Compliant	Yes
Date Updated	10/04/2014



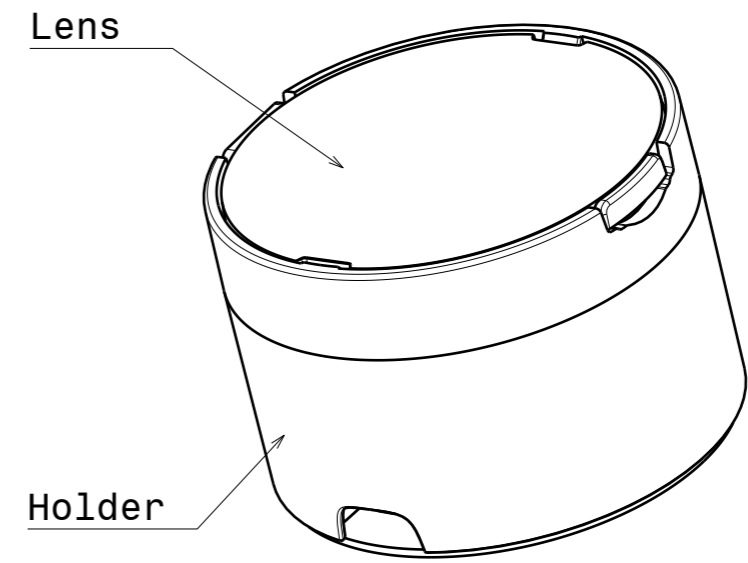
OPTICAL PROPERTIES

LED	Viewing	Light	Effi-	cd/lm	Connector
	Angle	Beam	ciency		
XP-E	7.5 deg	Real spot	92 %	39.700	-
XP-G	11 deg	Real spot	95 %	20.800	-
XP-E-HEW	10 deg	Real spot	92 %	-	-
XP-L HI	10 deg	Real spot	90 %	22.000	-
Z5	10 deg	Real spot	-	-	-

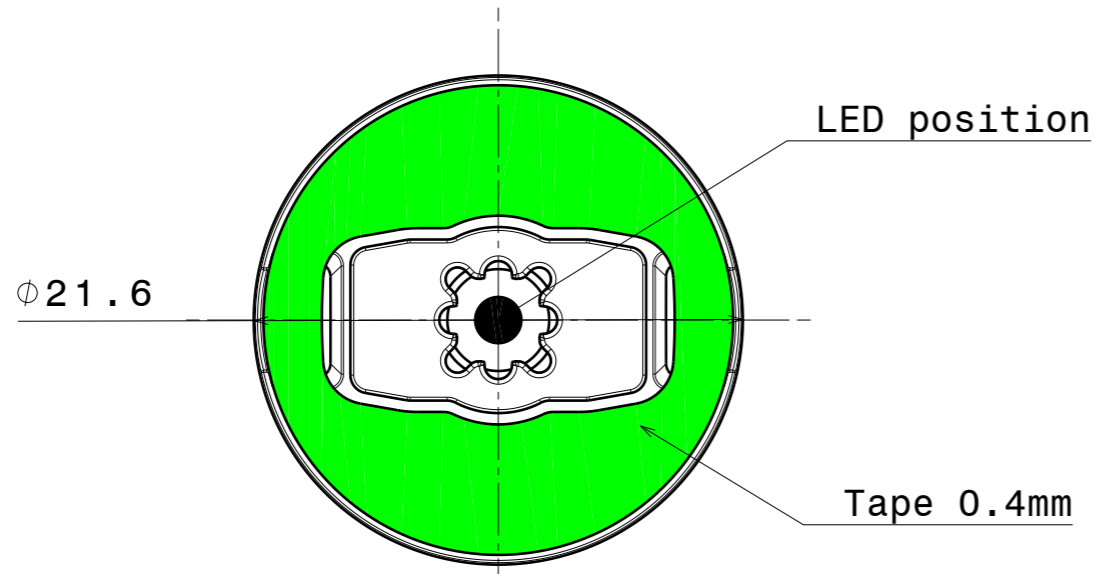
H G F E D C B A



Front view
Scale: 3:1



Isometric view
Scale: 3:1



Bottom view
Scale: 3:1

INDEX	DESCRIPTION	MATERIAL	COLOUR
1	Lens	PMMA	
2	Holder	PC	black
3	Tape	PU 2-sided foam tape	adhesive

Tolerances if not otherwise shown
According to DIN ISO 2768-1
Linear measures:
Up to 30mm class M, otherwise class C.
According to DIN ISO 2768-2
Form and position: class L

LEDiL LediL Oy
Salorankatu 10
FIN 24240 SALO
Finland

THIRD ANGLE PROJECTION:

DRAWING TITLE
Datasheet_LXP-Series

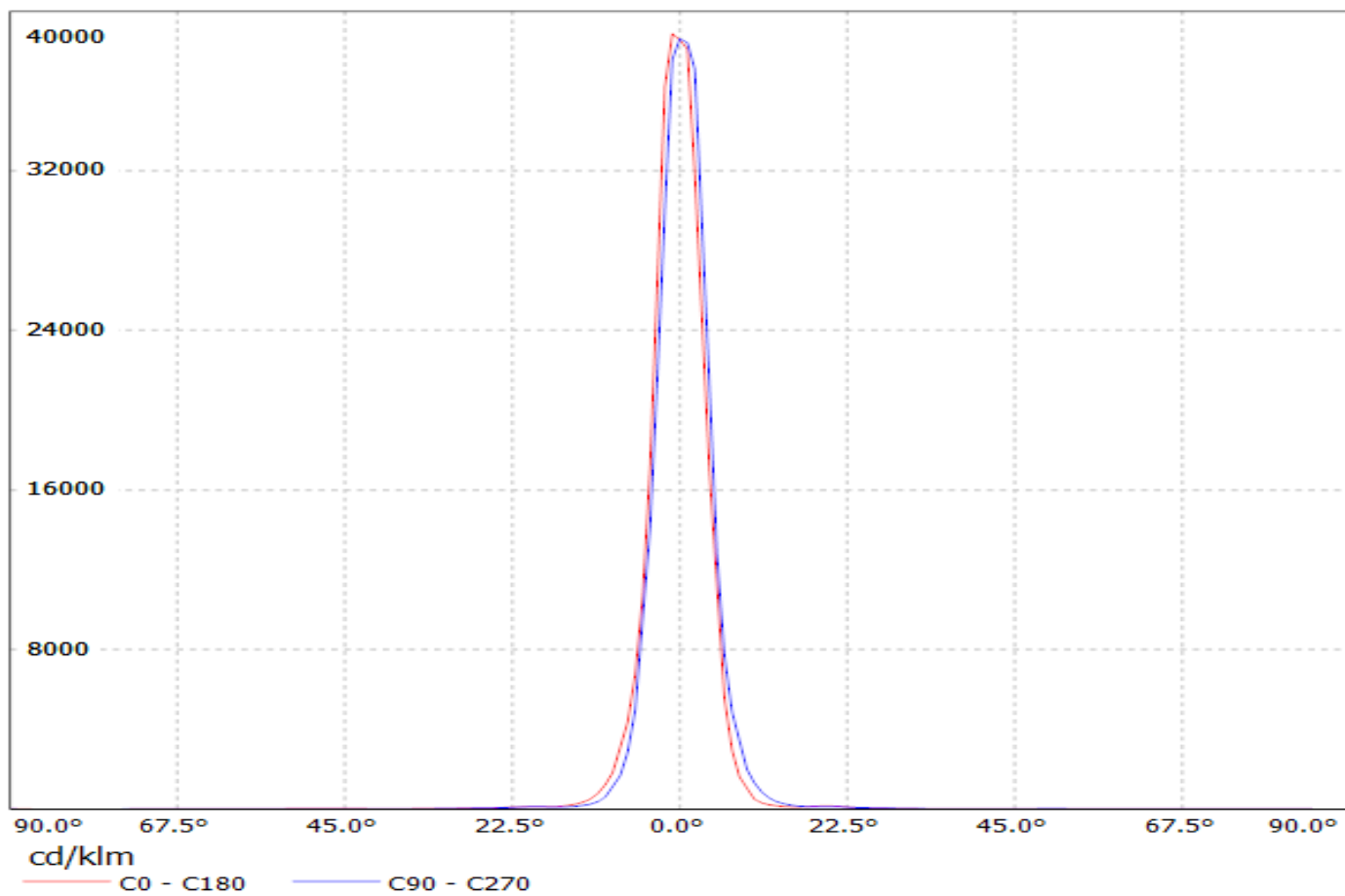
This drawing is the property of LEDiL Oy. It may not be reproduced, copied or communicated without a written agreement with LEDiL Oy.

SIZE PART NUMBER
A3 -

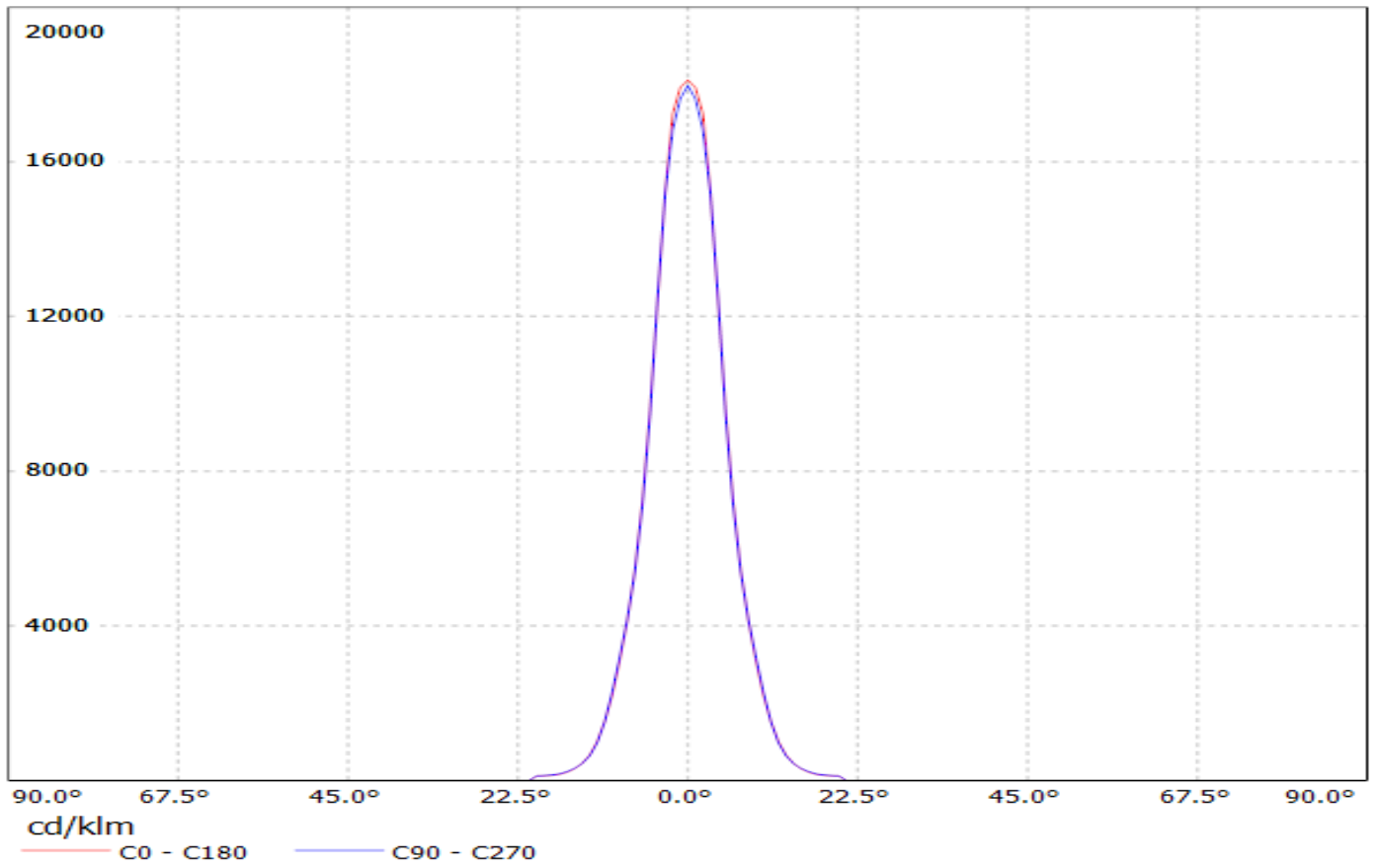
SCALE 3:1 WEIGHT - SHEET 1/1

H G B A

Luminaire: LEDiL Oy FA10661 _(XP-E) Eff.96.5%
Lamps: 1 x XP-E (50.7382lm@250mA)



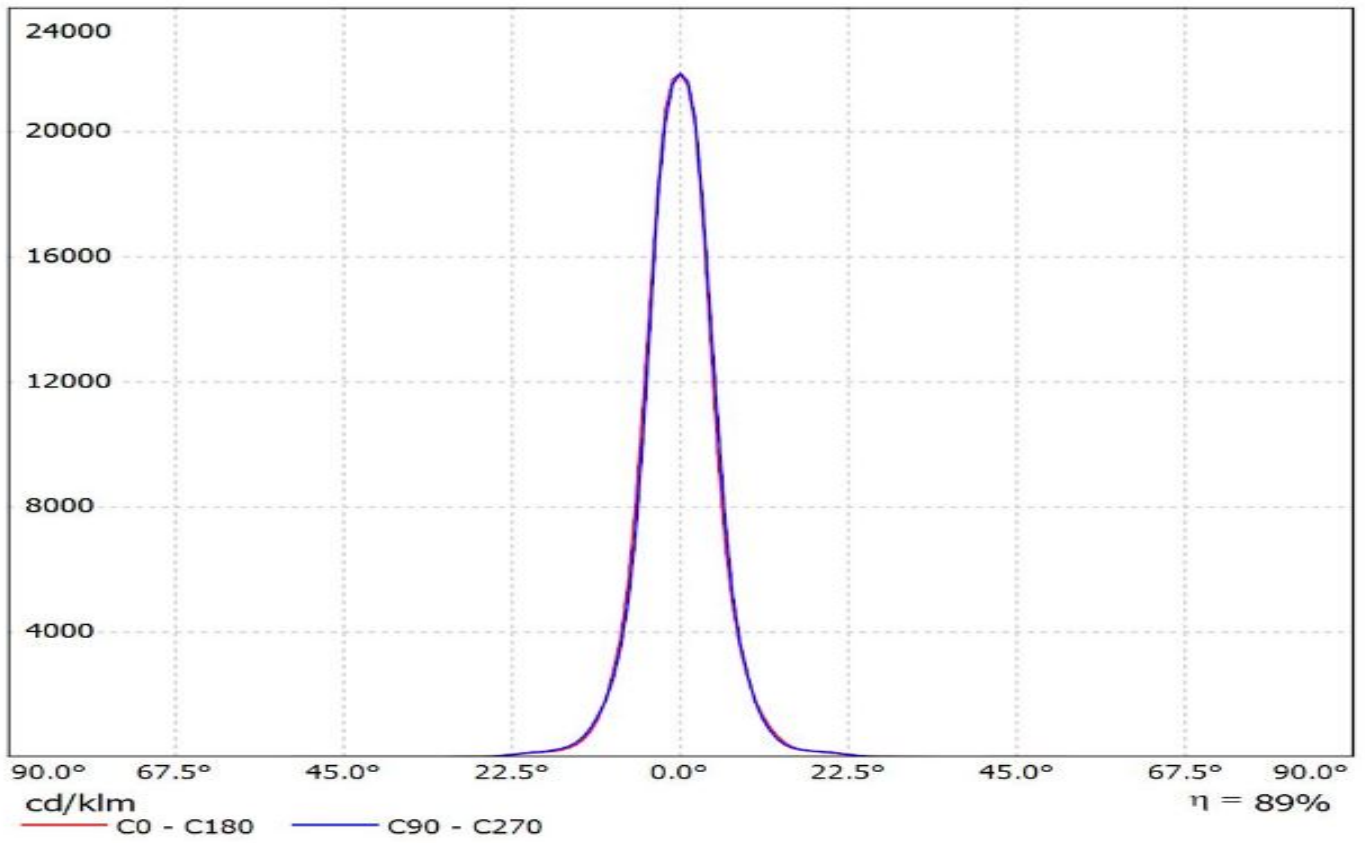
Luminaire: Ledil Oy FA10661_LXP-G-RS FA10661_LXP-G-RS
Lamps: 1 x Cree XP-G (White)



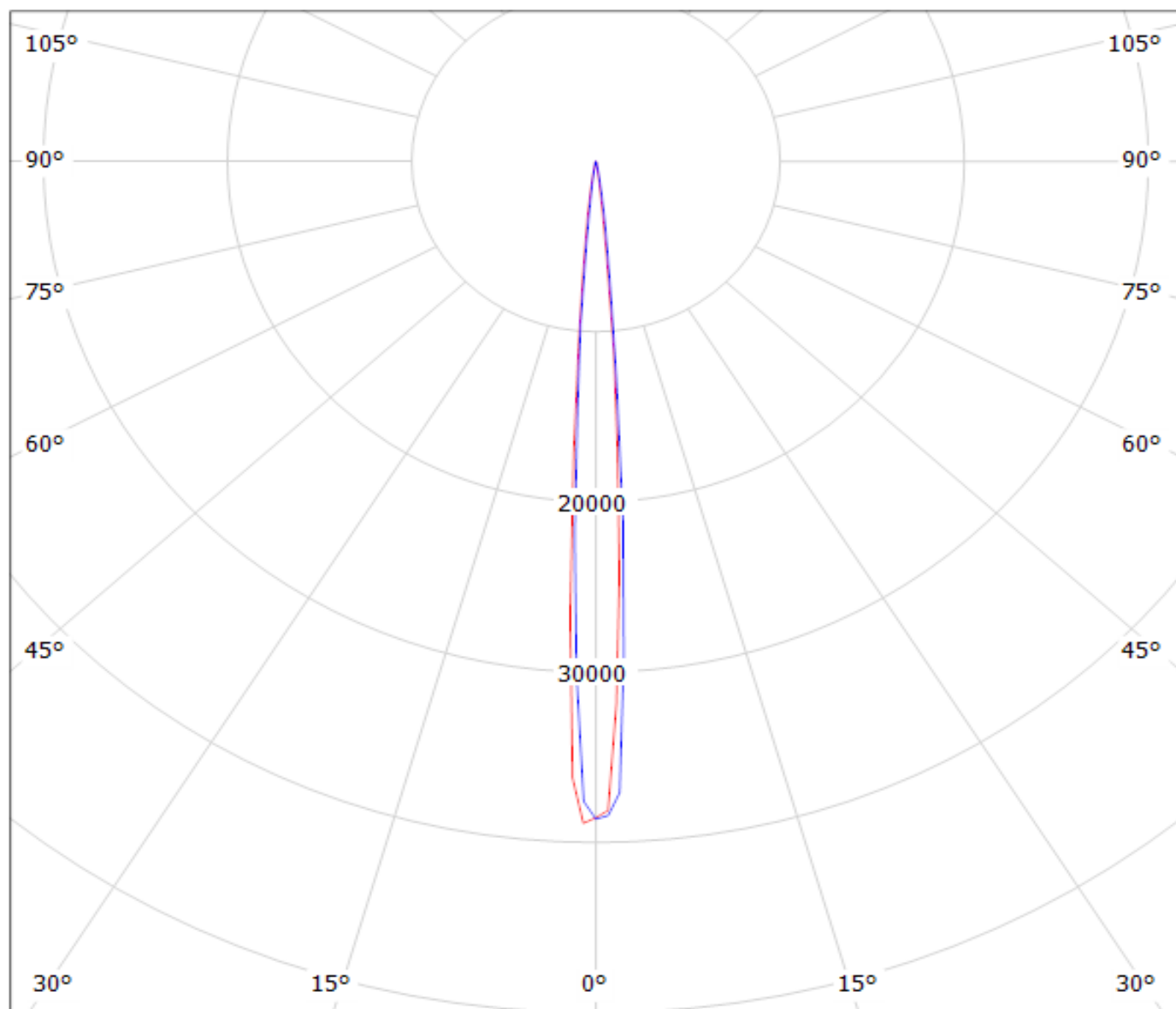
Ledil FA10661_LXP-RS_(XP-L_HI) / LDC (Linear)

Luminaire: Ledil FA10661_LXP-RS_(XP-L_HI)

Lamps: 1 x CREE_XP-L_HI_116.971lm@250mA_P=0.75W_I=0.25A



Luminaire: LEDiL Oy FA10661 _(XP-E) Eff.96.5%
Lamps: 1 x XP-E (50.7382lm@250mA)

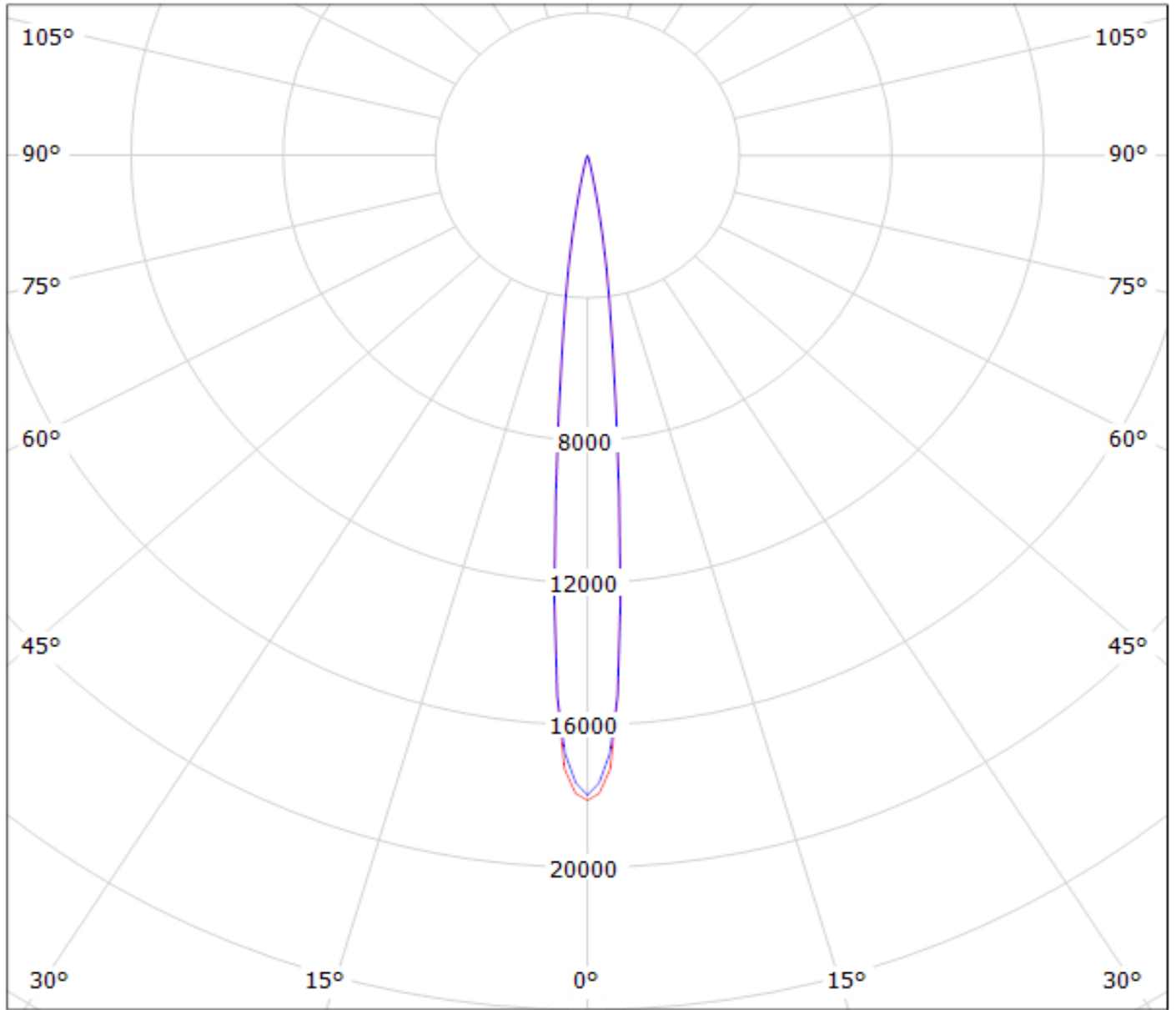


cd/klm

— C0 - C180

— C90 - C270

Luminaire: Ledil Oy FA10661_LXP-G-RS FA10661_LXP-G-RS
Lamps: 1 x Cree XP-G (White)



cd/klm

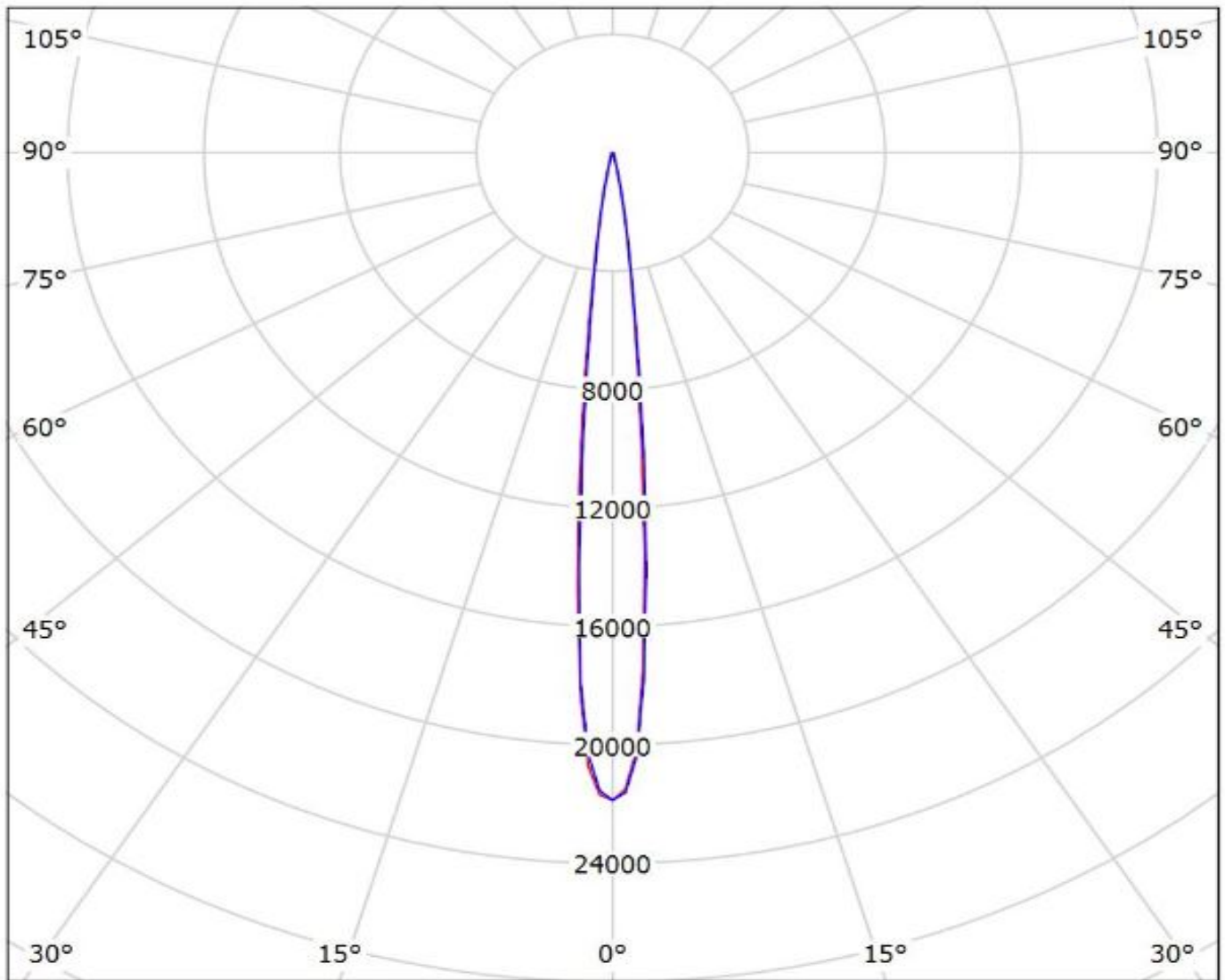
— C0 - C180

— C90 - C270

Ledil FA10661_LXP-RS_(XP-L_HI) / LDC (Polar)

Luminaire: Ledil FA10661_LXP-RS_(XP-L_HI)

Lamps: 1 x CREE_XP-L_HI_116.97lm@250mA_P=0.75W_I=0.25A



cd/klm

— C0 - C180 — C90 - C270

$\eta = 89\%$

NOTE: The typical divergence will be changed by different color, chip size and chip position tolerance. The typical total divergence is the full angle measured where the luminous intensity is half of the peak value.