

Datasheet

# mSATA 3SE series

- SATA 6Gb/s interface
- iSMART disk health monitoring
- Intelligent error recovery system
- Excellent data transfer speed
- Great I.O.P.S for best system reaction
- Zero mechanical interference
- Anti-vibration mechanical design
- JEDEC standard MO-300 dimension



## Introduction

Innodisk mSATA 3SE is designed as the standard Mini PCIe form factor with SATA interface, and supports SATA III standard (6.0Gb/s) with excellent performance. The form factor refers to the MO-300 specification which established by JEDEC. Regarding of mechanical interference, Innodisk mSATA 3SE absolutely replaces the traditional hard disk and makes personal computer, in any field, smaller and easier.

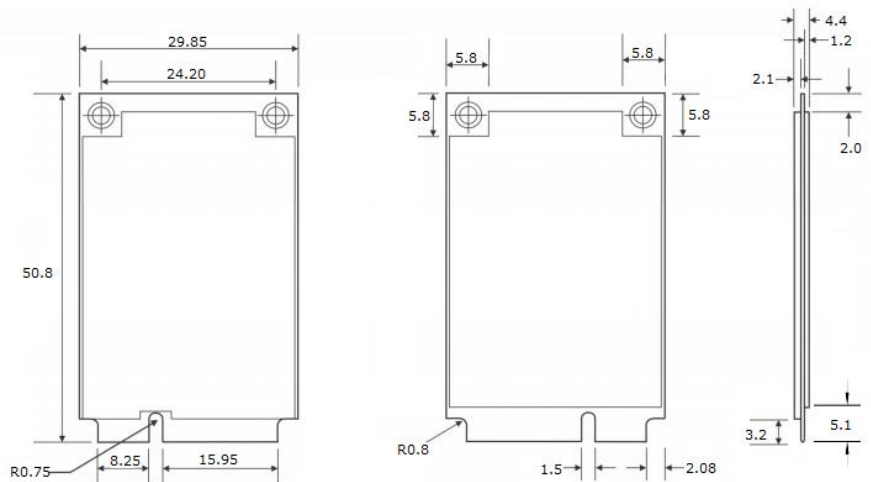
Innodisk mSATA 3SE effectively reduces the booting time of operation system and the power consumption is less than hard disk drive (HDD), and complies with ATA protocol, no additional drives are required, and can be configured as a boot device or data storage device.

# mSATA 3SE series

Contact us for more information about the MSATA 3SE.

Innodisk is a service-driven provider of industrial embedded flash storage products and technologies, with a focus on the cloud computing, industrial/embedded, and aerospace and defense industries.

## Diagram



## Specifications

Interface	SATA III
Flash Type	SLC
P/E cycle Limit	100,000
Capacity	1GB~32GB
Max. Channels	4
Sequential R/W (MB/sec, max.)	460 / 230
Max. Power Consumption	1.1 W (3.3V x 320 mA )
Thermal Sensor	WT only
External DRAM Buffer	-
H/W Write Protect	-
ATA Security	√
S.M.A.R.T.	√
Dimension (WxLxH)	29.8 X 50.8 X 4.4 mm
Environment	Vibration: 20G @7~2000Hz Shock: 1500G @ 0.5ms Storage Temperature: -55°C ~ +95°C MTBF: 3 million hours

### Headquarters (Taiwan)

9F., No.100, Sec. 1, Xintai 5th Rd.,  
Xizhi Dist., New Taipei City,  
Taiwan (R.O.C.)  
Tel: +886-2-26963000  
Email: sales@innodisk.com

### Branch Offices:

USA  
[usasales@innodisk.com](mailto:usasales@innodisk.com)  
+1-510-770-9421  
Europe  
[eusales@innodisk.com](mailto:eusales@innodisk.com)  
+31-(0)40-282-1818  
Japan  
[jpsales@innodisk.com](mailto:jpsales@innodisk.com)  
+81-3-6661-9846  
China  
[sales\\_cn@innodisk.com](mailto:sales_cn@innodisk.com)  
+86-755-21673689  
[www.innodisk.com](http://www.innodisk.com)

© 2012 Innodisk Corporation.  
All right reserved. Specifications  
are subject to change without  
prior notice.

## Ordering Information

Operation Temp.	1GB	2GB	4GB	8GB	16GB	32GB
Standard Grade (0°C ~ +70°C)	DEMSR-01GD07AC2SB	DEMSR-02GD07AC2DB	DEMSR-04GD06SCBDB	DEMSR-08GD06SCBQB	DEMSR-16GD06SCBQB	DEMSR-32GD06SCBQB
Industrial Grade (-40°C ~ +85°C)	DEMSR-01GD07AW2SB	DEMSR-02GD07AW2DB	DEMSR-04GD06SWBDB	DEMSR-08GD06SWBQB	DEMSR-16GD06SWBQB	DEMSR-32GD06SWBQB

**innodisk**

[www.innodisk.com](http://www.innodisk.com)