

REV.	LOCALS.	DESCRIPTION	DATE	DRAWN
01	NEW	INITIAL RELEASE.	05-10-05	C-T-KANG
02	△	增加CIP	06-13-05	XING PING
03	△	保証品質，修改尺寸公差	07.11.20	周耀寧
04	△	變更材料號	2009.09.07	李 激

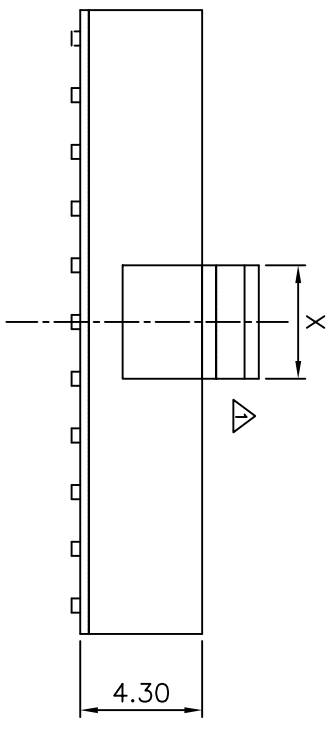
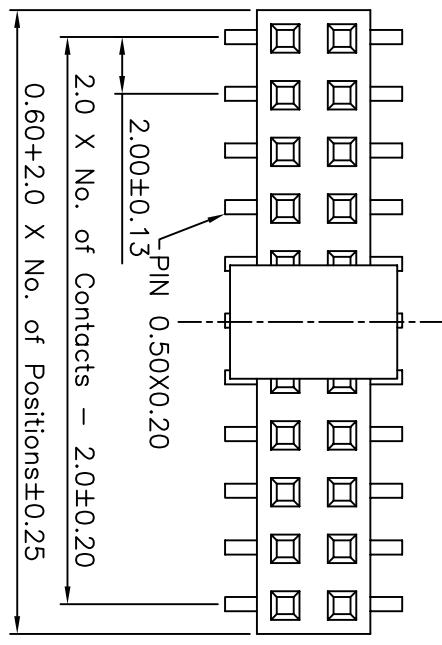
Specifications

Current Rating: 2Amp
 Insulation Resistance: 1000MΩ Min.
 Dielectric Withstanding: 500V AC
 Contact Resistance: 20mΩ Max.
 Operating Temperature: -40°C to +105°C

Materials

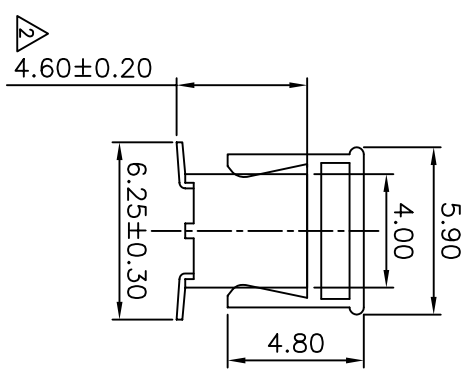
Contact Material: Phosphor Bronze
 Insulation Material: Polyester, UL 94V-0
 NYLON 6T

All materials must meet Greenconn
 requirement for environment protection.

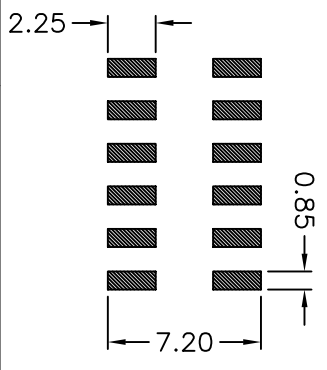


Ordering Information

C SFC208 - XX XX A 001 B 1 A X
 No. of Pins per Row 02~40
 Standard Plating 02=Gold Flash
 Color 1=Black
 Standard Packing in tube
 C= without cap
 E= with cap in tube



X	NOTE
4mm	02~20pins
8.05mm	21~40pins



RECOMMENDED P.C.B LAYOUT
 (Tolerance:±0.05)

格 菱 股 份 有 限 公 司
Greenconn Corporation

REV. 04 UNIT. mm SCALE. 4:1 PAGE. 1/1

GENERAL TOLERANCE		DESIGN:	DATE:	DWG. NO.	TITLE:
X. ± 5.0°	K. ± 0.30	王群祥	2009.03.05	CSFC208-△	2.0 FEMALE HEADER
X. ± 3.0°	X. ± 0.25	CHECKED:	DATE: 2009.03.05	PART NO. △	DUAL ROW SMT TYPE
.XX ± 2.0°	XX ± 0.15	AUDITED:	DATE: 2009.03.05	CSFC208-XX XX A001B1AX	BASE 4.30 H
.XXX ± 1.0°	.XXX ± 0.10	APPROVED:	DATE: 2009.03.05		