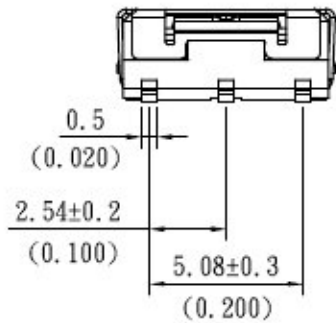
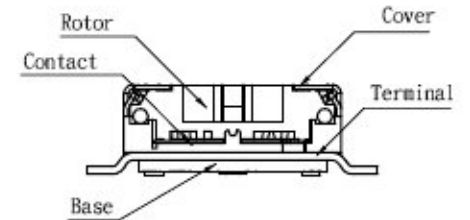
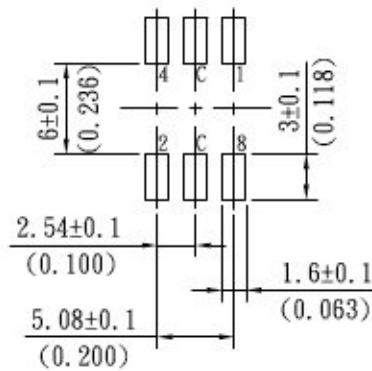


CONSTRUCTION



P. C. B LAYOUT



PIN NO	POSITION									
	0	1	2	3	4	5	6	7	8	9
1		●		●		●		●		●
2			●	●			●	●		
4					●	●	●	●		
8									●	●

● ..... Real Code Rotor color : white

				NORMAL TOLERANCE		EXCEL CELL ELECTRONIC CO., LTD.				PART NUMBER		ERD710RMZ			
				RANGE	TOLERANCE					UNIT	MM (INCH)	PART NAME	ERD7		
				0-1	±0.1	CHECK	Gary Kuo	DESIGN	TIM	DRAWN	TIM	SCALE	4:1	TYPE	3:3(SMT)
				1-4	±0.3							SIZE	A4	FILE NAME	7187100200A.DWG
				4-16	±0.5							PROJECTION		EDITION	A
				16-63	±0.8										
				63-250	±1.0										
NO.	DETAILS	ALTERED BY	DATE												