

# 单刀波动开关

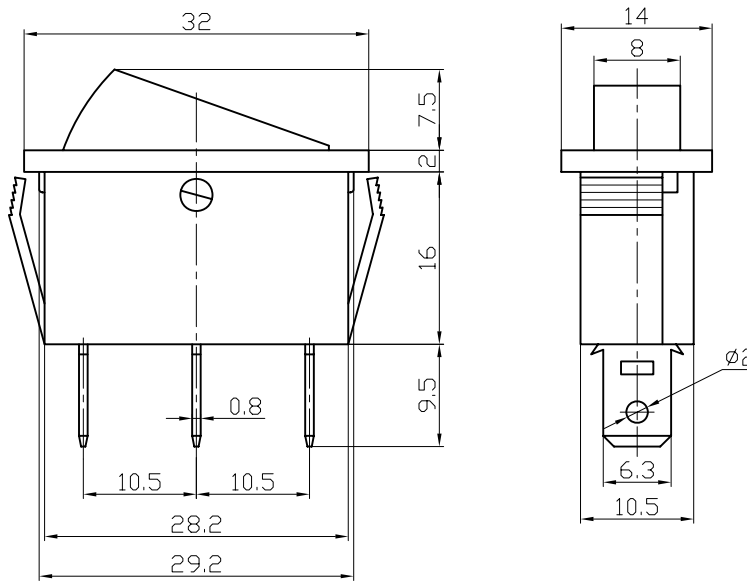
## Single-pole Rocker Switch

型号(TYPE):RS-102-3A

### 技术特性 (Specification)

- 规格 (Rating):20A 125VAC;15A 250VAC;35A 12VDC
- 接触电阻(Contact R):35mΩ max
- 绝缘电阻(Insulation R):500V DC 100MΩ min
- 耐电压 (Dielectric Strength):1 Minute 1500V AC
- 操作温度(Operating Temperature):-25°C~+85°C
- 电气寿命(Electrical Life):10,000 Cycles

### 外型图 (Outline Drawing)



### 安装尺寸 (Mounting)



### 电路图 (Circuitry)

