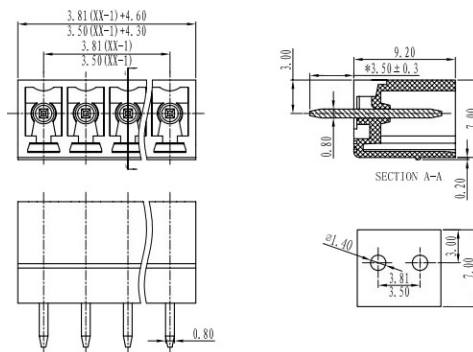


## PLUGGABLE TERMINAL BLOCKS

**ULO-TB01-15VC/3.5 Pitch: 3.5mm**

**ULO-TB13-15VC/3.81 Pitch: 3.81mm**



Standard	UL	TUV
Rated voltage	300V	300V
Rated current	10A	10.5A
Withstanding voltage	AC2000V/1Min	
Ambient temperature	-40°C~+115°C	
Pitch	3.5mm(.138") 3.81mm(.150")	
Poles	2P-24P	
Housing	PA66,UL94V-0	
Cage	Brass,Tin plated	

### HOW TO ORDER:

ULO - TB<sub>XX</sub> - XX...X - XX P - X X X 0A  
 1                      2                      3                      4                      5                      6                      7                      8

- 1 Company name. ULO      2 Model.
- 3 Material code. Any letters and (or) digits for factory material code.
- 4 Number of poles. Two digits from 02 to 24.
- 5 Colour of housing. One digit from 1 to 9.  
1. Grey; 2. Blue; 3. Black; 4. Green; 5. Orange; 6. Red; 7. Transparent; 8. Yellow; 9. White.
- 6 Screw head type. One digit 0 or 1. 0. Slot screw; 1. Cross screw.
- 7 Screw clamping type. One digit 0 or 1. 0. Screw down; 1. Screw up.
- 8 Brass cage. '0A' Normal brass cage product.